



**PRODUCT DESCRIPTION**

A sea of crystal strands suspend from within drums of steel which are finished in your choice of Bronze with Scotch crystal or Polished Chrome with Mirror Smoke crystal. Hidden inside the drum is a powerful dimmable LED source which has the crystals dancing in the night without any glare in your eyes.

**FINISHES OPTION**

Polished Chrome PC



**GLASS**

Mirror Smoke MSK

**MATERIAL**

Stainless steel + Crystal

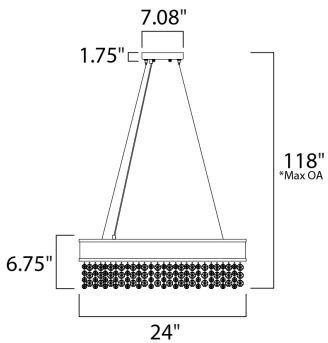
**RATINGS**

Dry Location  
Dimmable  
LED



**ADDITIONAL**

ADJUSTABLE  
INSTALL UP/DOWN:  
SLOPE: 30  
RATED LIFE 30000 Hours  
OPERATING TEMPERATURE:  
-20°C (-4°F), 40°C (104°F)



\*max overall height

**MEASUREMENTS**

DIMENSION : 24." L x 24." W x 6.75" H  
 MAX OAH : 118." OAH x 12." OAH  
 CANOPY : 7." W x 1.75" H x 7." L  
 HANGING WEIGHT : 33. lb

**LAMPING**

INPUT VOLTAGE : 120V  
 LUMENS : 3,140 Rated  
 BULB : 16 x 2.8W LED (INTEGRATED), 2.8W Total  
 DIMMABLE : Dimmable  
 CRI : 80+ CRI  
 COLOR\_TEMP : 3000K

Always consult a qualified electrician before installing any lighting product.



**WESTERN DISTRIBUTION CENTER (HEADQUARTER)**  
 253 NORTH VINELAND AVE | CITY OF INDUSTRY, CA 91746  
**EASTERN DISTRIBUTION CENTER**  
 4200 SHIRLEY DR. | ATLANTA, GA 30336  
 P. 626.956.4200 | F. 626.956.4225 | maximlighting.com