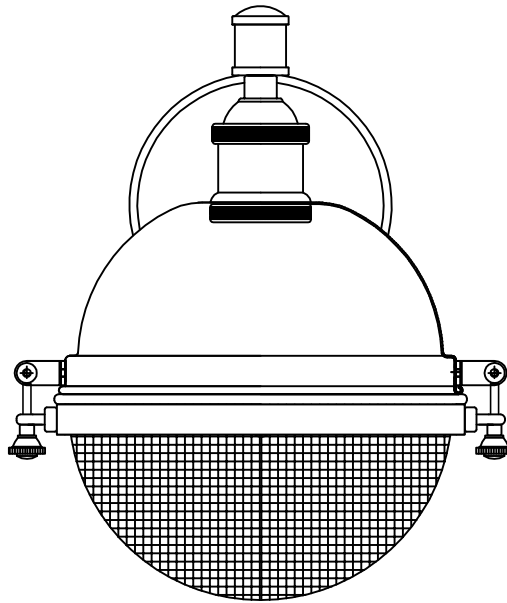


PRODUCT NAME: Portside 1LT Wall Sconce
NUMBER: 10182

Please consult your electrician for Hang fixture and wiring.

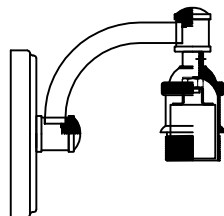


Bulb (Not included) : 1*MB 60W

IMPORTANT: Turn off power at the main fuse or circuit breaker box before starting installation



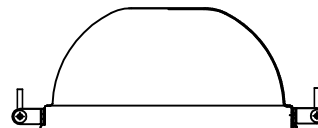
(A) Bracket



(B) Body

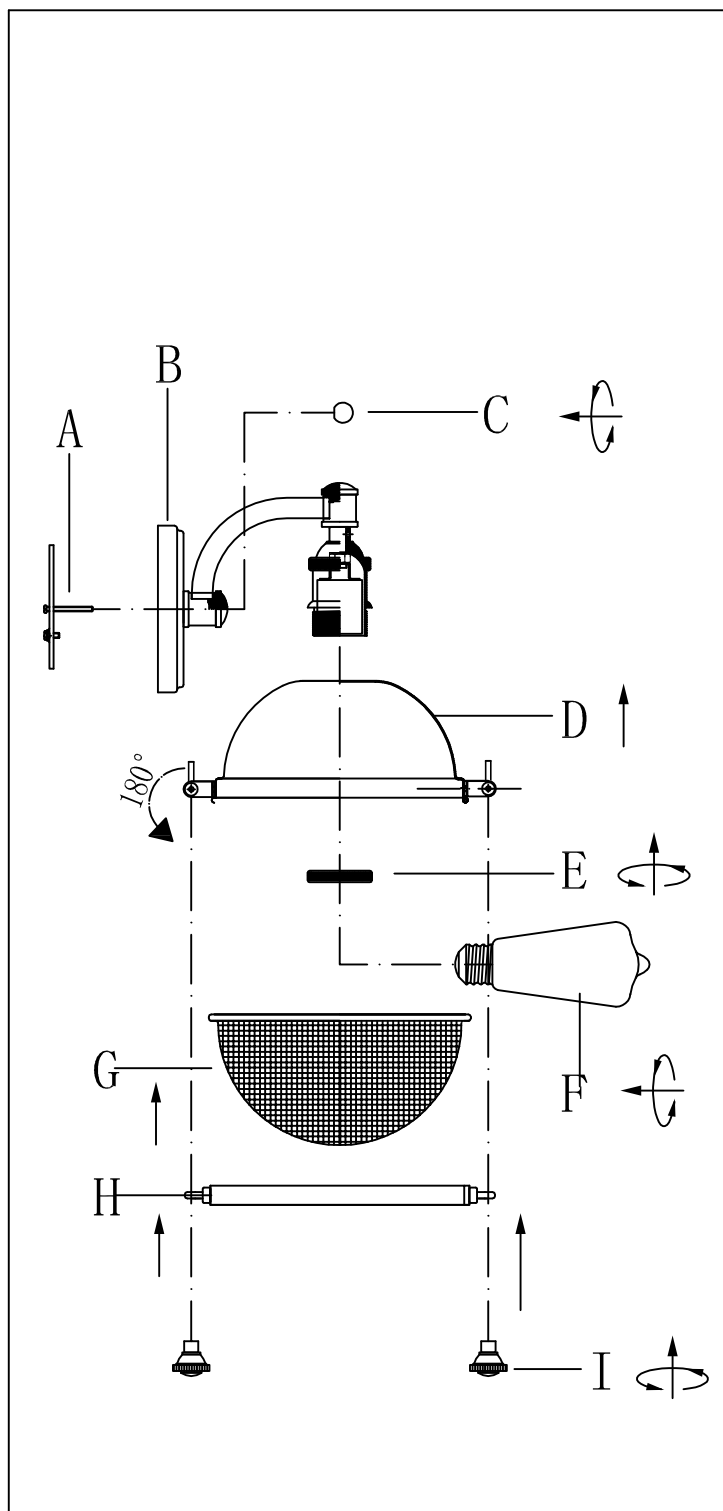


(C) Ball nut

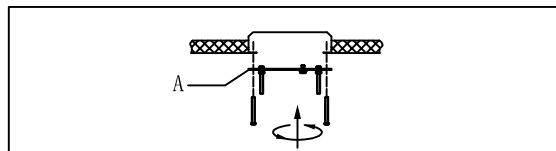


(D) Shade

Locate all hardware & components before discarding packaging

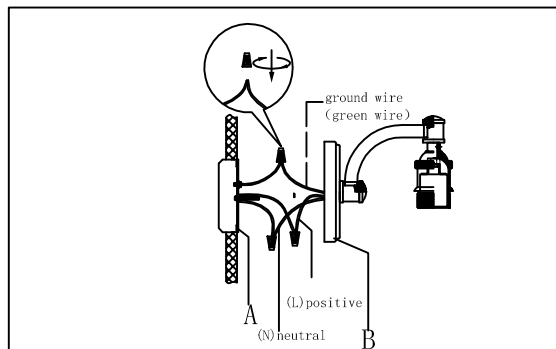


1.)



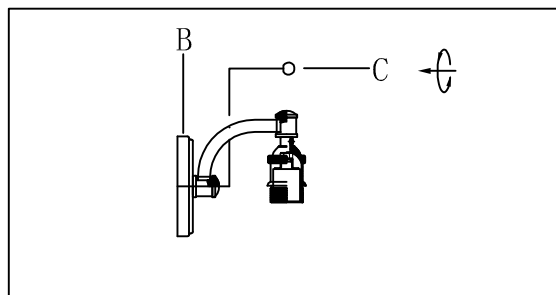
Step. 1: Remove mounting bracket (A) from fixture and install to electrical box.

2.)



Step. 2: Wire fixture to wires in outlet box. Copper/Green wire is for Ground.

3.)

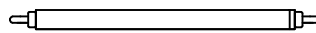
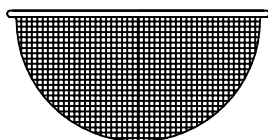


Step. 3: Install fixture to bracket (A) and tighten ball nuts (C) on the backplate to secure.

Cleaning & Care:

Clean with soft cloth and a mild detergent.
Do not use abrasive cleaner.

IMPORTANT: Turn off power at the main fuse or circuit breaker box before starting installation



(E) Socket ring

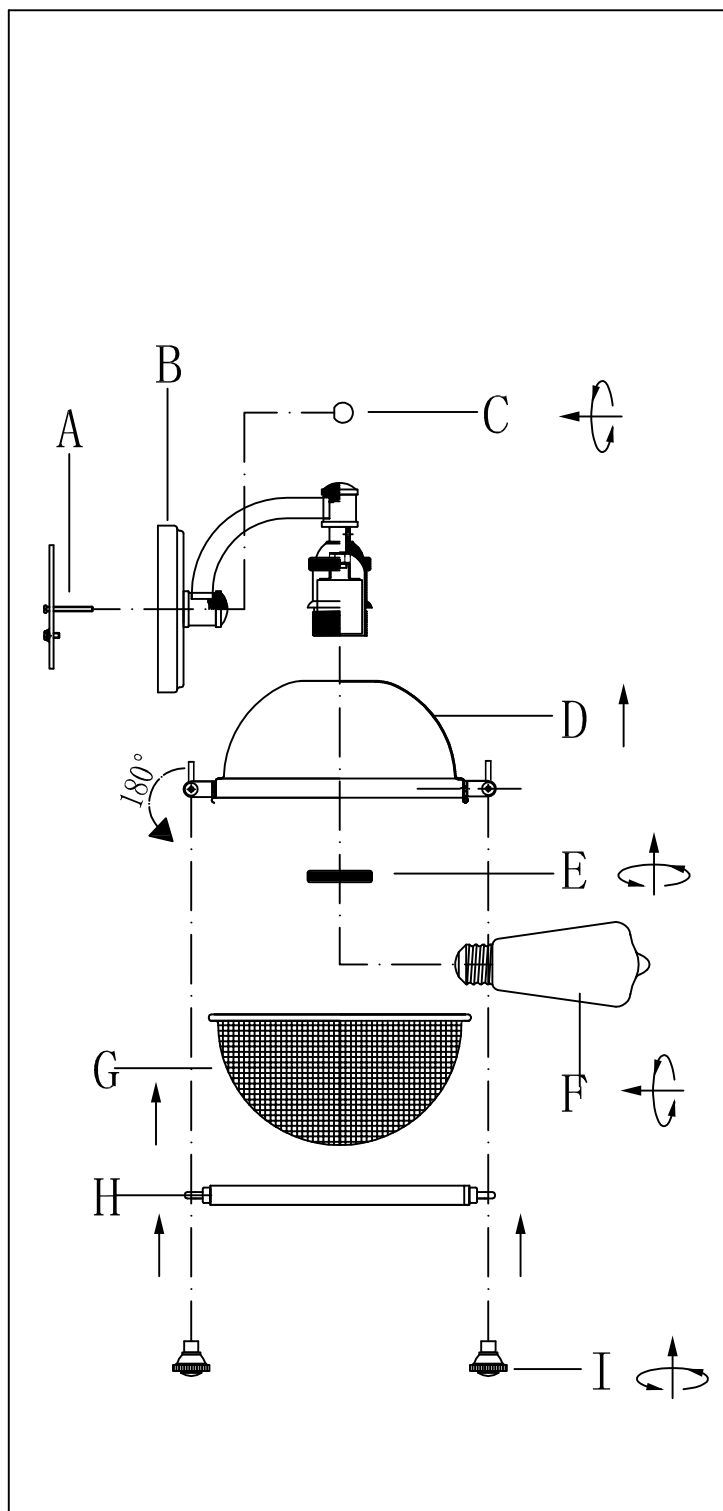
(F) bulb

(G) Glass

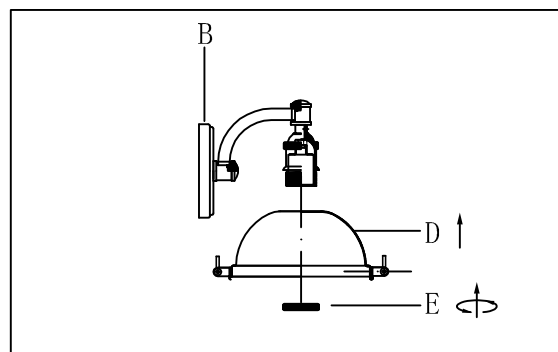
(H) Ring

(I) Lock nut

Locate all hardware & components before discarding packaging

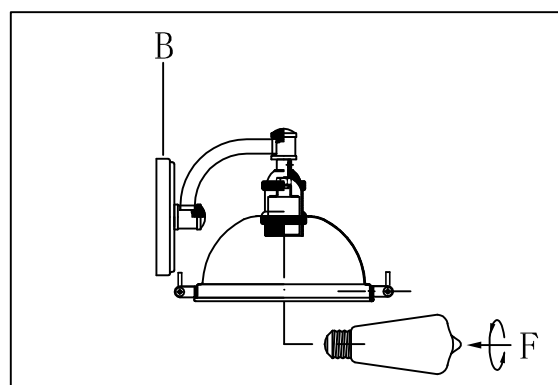


4.)



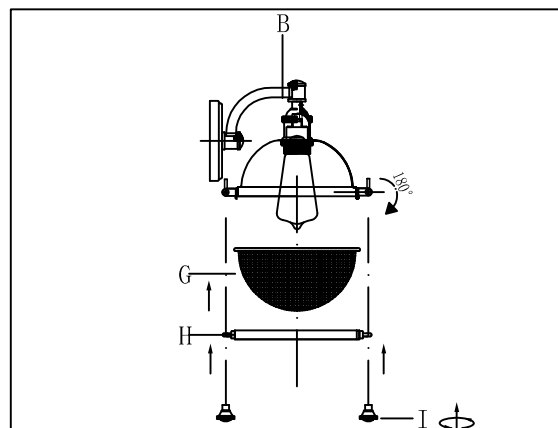
Step 4: Screw up socket ring (E) to secure shade (D) on the socket.

5.)



Step 5: Install the bulb (F).

6.)



Step 6: Put glass (G) on the ring (H), and use the nut (I) to secure the glass on the shade.

Cleaning & Care:

Clean with soft cloth and a mild detergent.
Do not use abrasive cleaner.