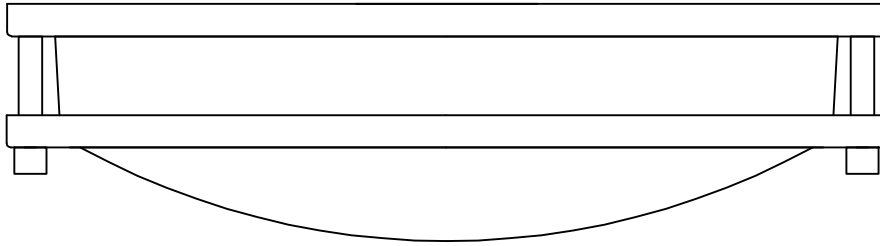




PRODUCT NAME:LINEAR LED

ITEM NUMBER:55542WTSN 55546WTSN 55543WTSN 55544WTSN 55548WTSN

Please consult your electrician for hanging fixture and wiring.



WARNING:Wires need to be connected to driver found in canopy and should not be connected directly to power source or a short may occur

55542WTSN : 15W LED 3000K NO DIMMABLE

55546WTSN : 15W LED 3000K NO DIMMABLE

55543WTSN : 20W LED 3000K NO DIMMABLE

55544WTSN : 23W LED 3000K NO DIMMABLE

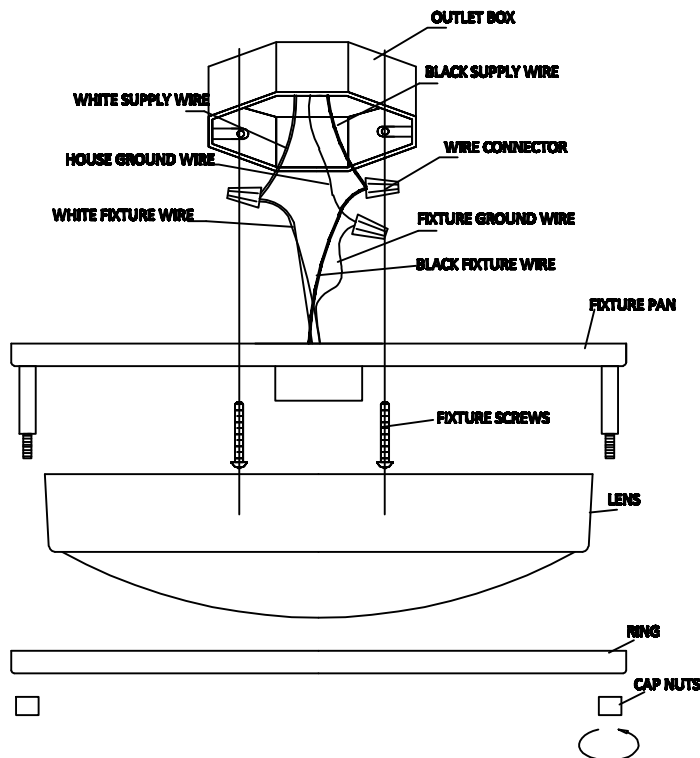
55548WTSN : 35W LED 3000K NO DIMMABLE

PRODUCT NAME: LINEAR LED

ITEM NUMBER: 55542WTSN 55546WTSN 55543WTSN 55544WTSN 55548WTSN

CAUTION: Turn off the main power at the circuit breaker before installing and servicing the fixture to prevent possible injury from electric shock.

All electrical connections must be in accordance with local and National Electrical Code (N.E.C.) standards. If you are unfamiliar with proper electrical wiring connections, obtain the services of a qualified electrician.



- 1: Pull the supply wires and house ground wire out from the outlet box.
- 2: Thread the fixture screws into the appropriate threaded holes of the outlet box.
- 3: Electrical connections, connect the black fixture black wire to the black supply wire and the white fixture wire to the white supply wire using wire nut.
- 4: Connect the fixture ground wire to the supply ground wire together using wire nut. Wrap all wire connections with electrical tape to ensure secure connection.
- 5: Carefully tuck all wires back into the outlet box. Place the fixture pan over outlet box and feed fixture screws through keyhole slots. Rotate the fixture pan clockwise until screws slid into the narrow end of the keyhole slots and tighten firmly.
- 6: Final assembly- Secure the lens and ring to fixture pan using three cap nuts.
- 7: Installation complete, restore power at the circuit breaker and turn light switch on to activate this fixture.