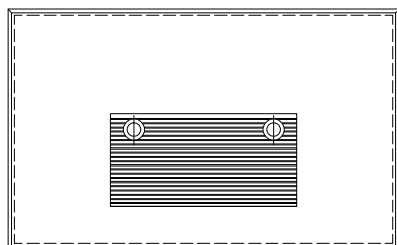




PRODUCT NAME: Path LED Step Light
ITEM NUMBER: 58000/58002

Please consult your electrician for hanging fixture and wiring.



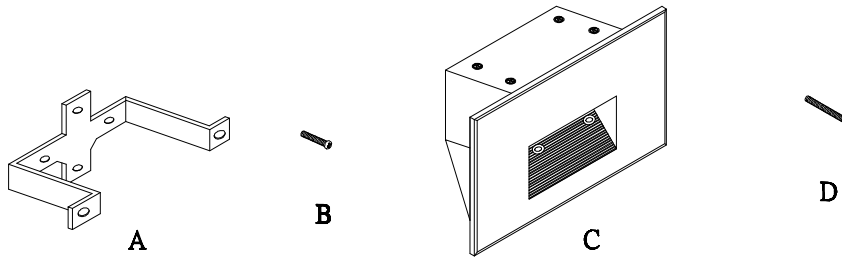
Note: It is recommended that the installer run a bead of clear, outdoor-rated silicone (GE RTV-162 or equivalent, provided by others) caulk between gasket or back of fixture and mounting surface to prevent seepage of water into fixture)

Bulb(included): 1*4W LED

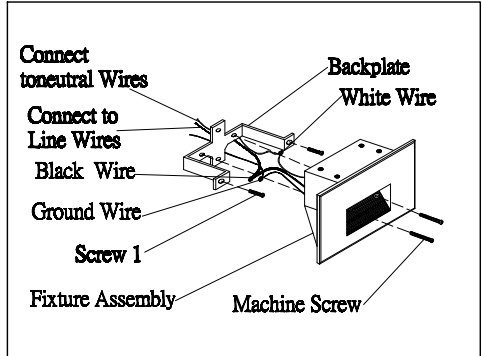
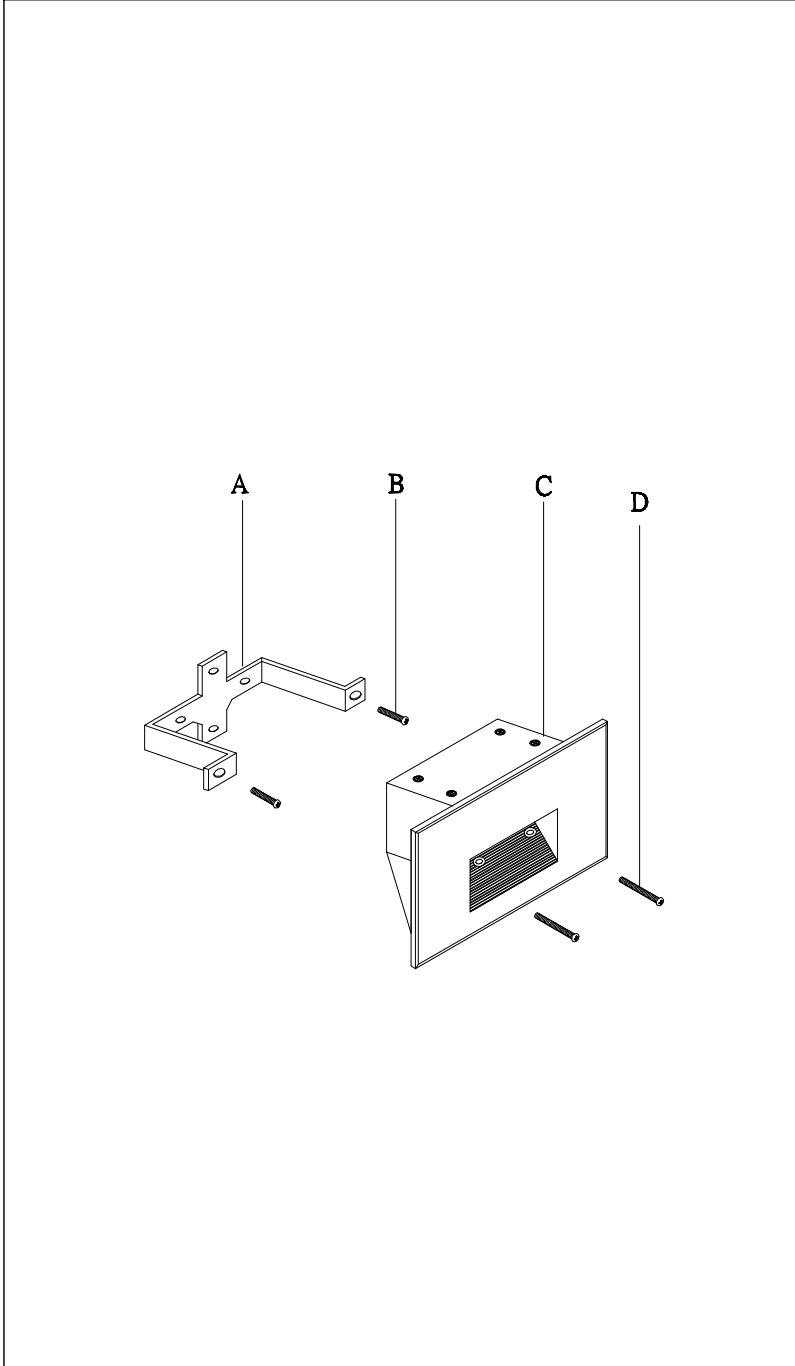
**PRODUCTS ARE NOT INTENDED
FOR COMMERCIAL USE.**

**MADE IN CHINA
Page 1 of (2)**

IMPORTANT: Turn off the power at the main fuse or circuit breaker box before starting installation



Locate all hardware & components before discarding packaging



1. Install a 2" x 4" junction box, and ensure it is water-tight for outdoor use.
2. Secure the mounting bracket to the junction box using two 8-32 junction box screws.
3. Connect the fixtures to the housing wires as follows: Black fixture wire to black (Hot) housing wire, White fixture wires to white (Neutral) housing wire, and Green fixture wire to Ground.
4. Place all wiring and connectors back in the junction box.
5. Use the rubber washer and mounting screw to install and secure the fixture to the mounting surface.

Cleaning & Care:

Clean with soft cloth and a mild detergent.
Do not use abrasive cleaner.