

PRODUCT DESCRIPTION

A sea of crystal strands suspend from within drums of steel which are finished in your choice of Bronze with Scotch crystal or Polished Chrome with Mirror Smoke crystal. Hidden inside the drum is a powerful dimmable LED source which has the crystals dancing in the night without any glare in your eyes.

FINISHES OPTION

- Bronze BZ
- Polished Chrome PC

GLASS

Scotch Crystal SH

MATERIAL

Stainless steel + Crystal

RATINGS

cETLus
Dry Location



ADDITIONAL

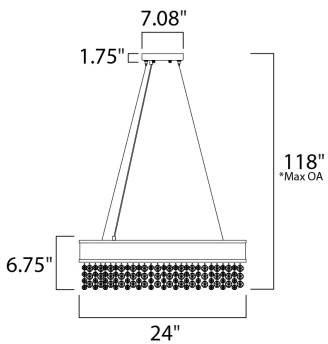
OPERATING TEMPERATURE:
-20°C (-4°F), 40°C (104°F)

MEASUREMENTS

DIMENSION : 24" L x 24" W x 6.75" H
 MAX OAH : 118" OAH
 CANOPY : 7.08" W x 1.57" H x 7.08" L
 HANGING WEIGHT : 33 lb

LAMPING

INPUT VOLTAGE : 120V
 LUMENS : 3,136 Rated (2,400 Del.)
 BULB : 16 x 3W LED PCB Integrated (Integrated), 48W Total
 DIMMABLE : Triac CL
 CRI : 80+ CRI
 COLOR_TEMP : 3000K



*max overall height

Always consult a qualified electrician before installing any lighting product.



WESTERN DISTRIBUTION CENTER (HEADQUARTER)
 253 NORTH VINELAND AVE | CITY OF INDUSTRY, CA 91746
EASTERN DISTRIBUTION CENTER
 4200 SHIRLEY DR. | ATLANTA, GA 30336
 P. 626.956.4200 | F. 626.956.4225 | maximlighting.com