

Safety cages
available for
low ceilings.



Suitable
for
Damp
Location**



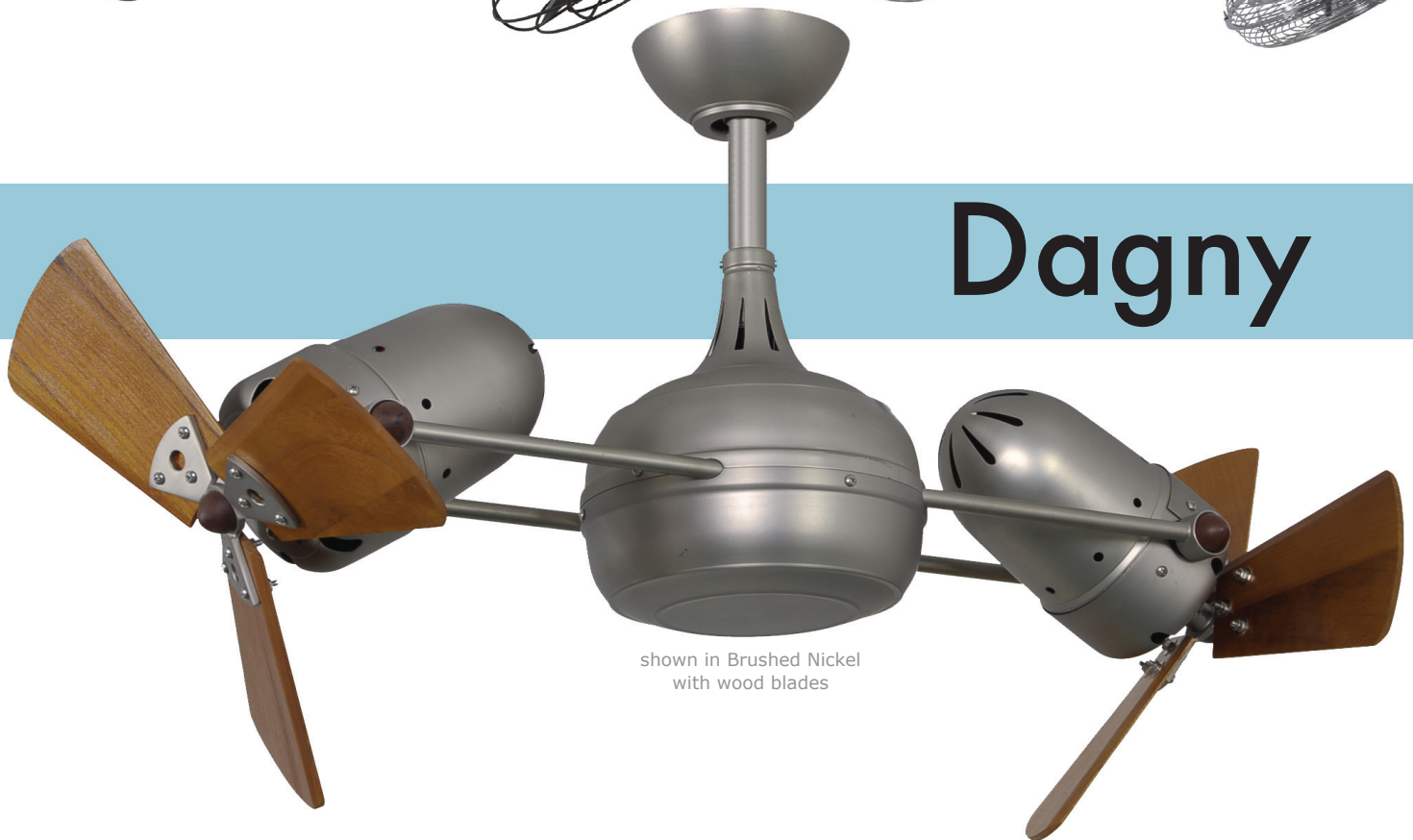
shown in Textured Bronze
with metal blades and
decorative guard



shown in Polished Chrome
with metal blades and
safety guard



Dagny



shown in Brushed Nickel
with wood blades

The double-headed rotational ceiling fan, Dagny, with cylindrical central housing and straight, parallel arms, is designed in the retrospective aesthetic. The Dagny offers fluid lines and quiet axial rotation. The motor heads can be infinitely positioned in 180-degree arcs for optimum air movement; the greater the angles of the motors to the horizontal support rods (up or down), the faster the axial rotation. A slow, controlled axial rotation is achieved by both motor head position and fan blade speed. Matthews rotational fans circulate heat and air-conditioning more efficiently than traditional paddle fans.

- The Dagny is available in the following finishes: polished chrome, brushed nickel or textured bronze.
- Constructed of cast aluminum and heavy stamped steel, the Dagny carries a limited lifetime warranty.
- The Dagny is available with the following blade options:
 - hand-balanced metal blades with decorative metal blade guards
 - hand-balanced metal blades with metal safety cages for low ceiling applications
 - hand-balanced solid wood blades without blade guards
- The Dagny comes with this standard equipment:
 - 3-speed remote control
 - vaulted ceiling canopy

MATTHEWS

FAN COMPANY

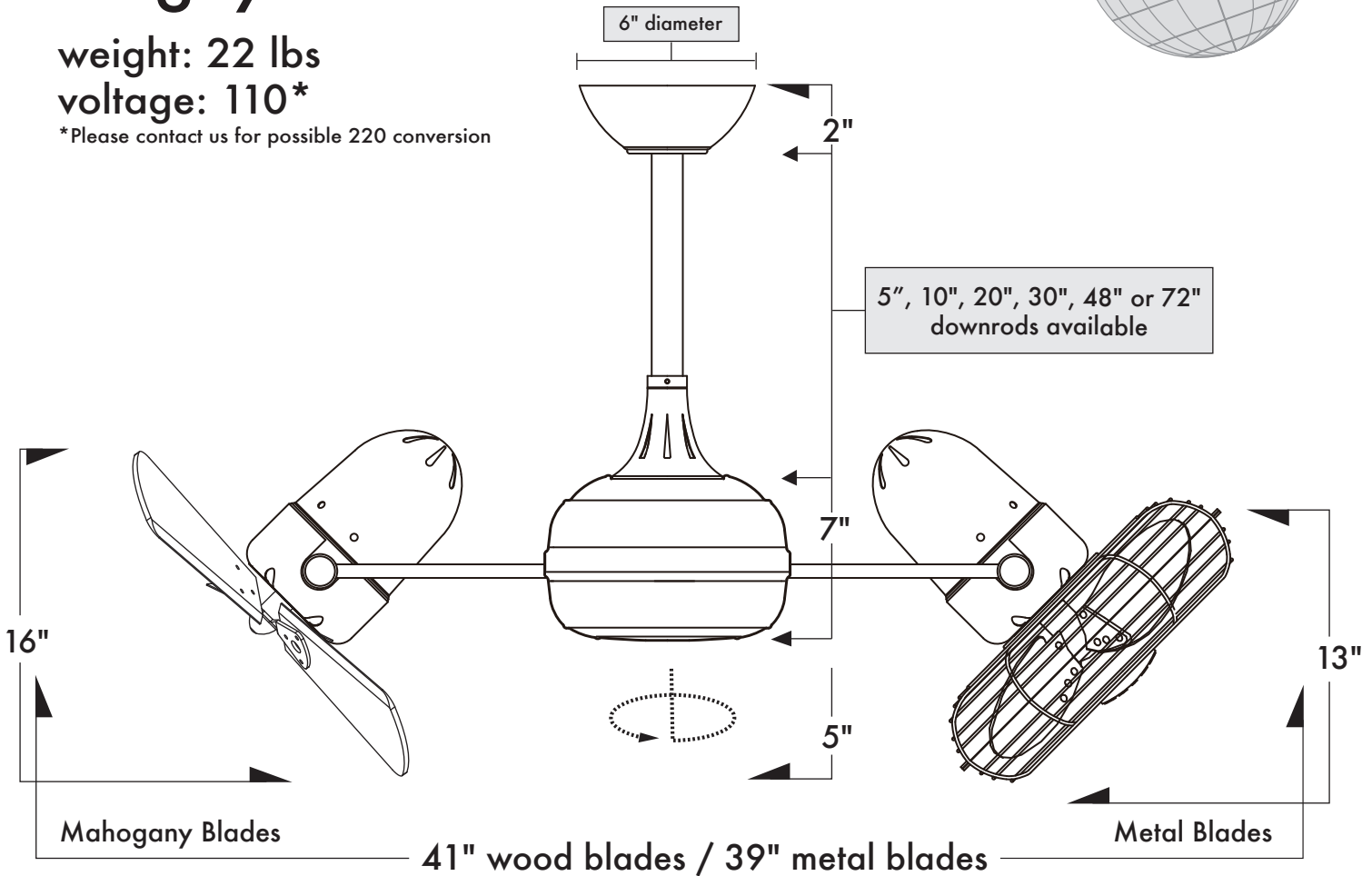


Dagny

weight: 22 lbs

voltage: 110*

*Please contact us for possible 220 conversion



Increasing Angles of Fan Heads to Support Poles Increases Speed of Axial Rotation
Optimum Fan Head Position is 60°



**Damp location

Not recommended for salt water / ocean front applications.

1881 Industrial Drive

Libertyville, IL 60048

Tele: 847.680.9043

Fax: 847.680.8140

1881 Industrial Drive
Libertyville, IL 60048
Tele: 847.680.9043
Fax: 847.680.8140
www.matthewsfanco.com