

Installation Operation and Maintenance Instructions

Refrigerated Champagne
and Wine Cellars
Chateau Collection

3SWCE
6SWCE
8SWCE
3SWCCE
6OSWCE
6SDZE



TABLE OF CONTENTS

| | | | |
|---|----|----------------------------------|----|
| Unpacking your wine cellar..... | 2 | Care and Cleaning..... | 21 |
| Removing the packaging..... | 2 | Cleaning condenser air flow..... | 21 |
| Warranty Registration..... | 2 | Cleaning the cabinet..... | 21 |
| Installing your wine cellar..... | 3 | Cleaning the interior..... | 21 |
| Selecting the location..... | 3 | Cleaning the wine shelves..... | 21 |
| Outdoor Installation..... | 3 | Cleaning the door gasket..... | 21 |
| Cabinet Clearances..... | 3 | Removing the wine shelves..... | 21 |
| Leveling legs..... | 3 | Replacing the light tubes..... | 22 |
| Grounding method..... | 3 | Troubleshooting Guide..... | 23 |
| Electrical Requirements..... | 3 | Obtaining Service..... | 24 |
| Using Your Sentry System™ Control (All Models Except 6SDZE)..... | 4 | Household Product Warranty..... | 25 |
| Using Your Sentry System™ Control 6SDZE..... | 5 | | |
| Dimensions for 3SWCE & 3SWCCE glass door..... | 6 | | |
| Recommended Rough in Opening Dimensions for 3SWCE & 3SWCCE glass door..... | 6 | | |
| Dimensions for 3SWCE & 3SWCCE glass overlay door..... | 7 | | |
| Recommended Rough in Opening Dimensions for 3SWCE & 3SWCCE glass overlay door..... | 7 | | |
| Dimensions for 3SWCE & 3SWCCE solid overlay door..... | 8 | | |
| Recommended Rough in Opening Dimensions for 3SWCE & 3SWCCE solid overlay door..... | 8 | | |
| Dimensions for 6SWCE glass door..... | 9 | | |
| Recommended Rough in Opening Dimensions for 6SWCE glass door..... | 9 | | |
| Dimensions for 6SWCE glass overlay door..... | 10 | | |
| Recommended Rough in Opening Dimensions for 6SWCE glass overlay door..... | 10 | | |
| Dimensions for 6SWCE solid overlay door..... | 11 | | |
| Recommended Rough in Opening Dimensions for 6SWCE solid overlay door..... | 11 | | |
| Dimensions for 6OSWCE solid door..... | 12 | | |
| Recommended Rough in Opening Dimensions for 6OSWCE solid door..... | 12 | | |
| Dimensions for 8SWCE glass door..... | 13 | | |
| Recommended Rough in Opening Dimensions for 8SWCE glass door..... | 13 | | |
| Dimensions for 8SWCE glass overlay door..... | 14 | | |
| Recommended Rough in Opening Dimensions for 8SWCE glass overlay door..... | 14 | | |
| Dimensions for 6SDZE glass door..... | 15 | | |
| Recommended Rough in Opening Dimensions for 6SDZE glass door..... | 15 | | |
| Dimensions for 6SDZE glass overlay door..... | 16 | | |
| Recommended Rough in Opening Dimensions for 6SDZE glass overlay door..... | 16 | | |
| Full Overlay Panel Installation Instructions..... | 17 | | |
| Features..... | 20 | | |

Important Safety Instructions

Warnings and safety instructions appearing in this guide are not meant to cover all possible conditions and situations that may occur. Common sense, caution, and care must be exercised when installing, maintaining, or operating this appliance.

Recognize Safety Symbols, Words, and Labels.

CAUTION

CAUTION-Hazards or unsafe practices which could result in personal injury or property or product damage.

WARNING

WARNING-Hazards or unsafe practices which could result in personal injury.

NOTE

NOTE-Important information to make a problem free installation.

Remove Packaging

Your wine cellar has been packed for shipment with all parts that could be damaged by movement securely fastened. Cut the banding material at the bottom of the carton, unfold the cartoning at the bottom and remove the carton from the appliance. Remove the plastic bag, styrofoam corner posts and any tape holding the door closed and internal components in place.

The owners manual is shipped inside the wine cellar in a plastic bag along with the warranty registration card.

Important

Keep your carton packaging until your wine cellar has been thoroughly inspected and found to be in good condition. If there is damage, the packaging will be needed as proof of damage in transit. Afterwards please dispose of all items responsibly in particular the plastic bags which can be a suffocation hazard.

Note to Customer

This merchandise was carefully packed and thoroughly inspected before leaving our plant. Responsibility for its safe delivery was assumed by the retailer upon acceptance of the shipment. Claims for loss or damage sustained in transit must be made to the retailer.

DO NOT RETURN DAMAGED MERCHANDISE TO THE MANUFACTURER - FILE THE CLAIM WITH THE RETAILER.

CAUTION

If the unit was shipped or has been laying on its back for any period of time allow the wine cellar to sit upright for a period of at least 24 hours before plugging in. This will assure oil returns to the compressor. Plugging the wine cellar in immediately may cause damage to internal parts.

Warranty Registration

It is important you send in your warranty registration card immediately after taking delivery of your wine cellar or you can register online at www.marvelrefrigeration.com.

The following information will be required when registering your unit.

Model Number
Serial Number
Date of Purchase
Dealers name and address

The model number and serial number can be found on the serial plate which is located inside the wine cellar on the left side toward the top of the liner.

CAUTION

Help Prevent Tragedies

Child entrapment and suffocation are not problems of the past. Junked or abandoned refrigerators are still dangerous - even if they sit out for "just a few days".

If you are getting rid of your old refrigerator, please follow the instructions below to help prevent accidents.

Before you throw away your old refrigerator or freezer:

- Take off the doors or remove the drawers.
- Leave the shelves in place so children may not easily climb inside.

INSTALLING YOUR WINE CELLAR

Select Location

The proper location will ensure peak performance of your appliance. We recommend a location where the unit will be out of direct sunlight and away from heat sources. To assure your product performs to specifications the recommended installation location temperature range is from 65 to 80°F (18 to 27°C) for indoor built in units, 65 to 90°F (18 to 32°C) for indoor freestanding units, and 40 to 100°F (4 to 38°C) for outdoor units.

⚠ CAUTION

Outdoor Installation

Only the 6OSWCE model is suitable for outdoor installations. A ground fault circuit interrupter electrical receptacle is to be used to supply electrical power to the refrigerator for outdoor applications. Contact an electrician if you need to install one to supply electrical power to your outdoor wine cellar. Do not install in an environment where the unit will be exposed to direct sun exposure as this may result in unsatisfactory performance.

Cabinet Clearance

Ventilation is required from the bottom front section of the unit. Keep this area open and clear of any obstructions. Adjacent cabinets and counter top can be installed around the unit as long as the grille and door access remain unobstructed.

⚠ CAUTION

Front Grille

Do not obstruct the front grille. The openings within the front grille provide air to flow into and exit from the refrigerator condenser. For this reason it is important this area to not be obstructed and be kept clean. Marvel does not recommend the use of custom made grilles as air flow may be restricted because of inadequate openings. (See Figure 1).

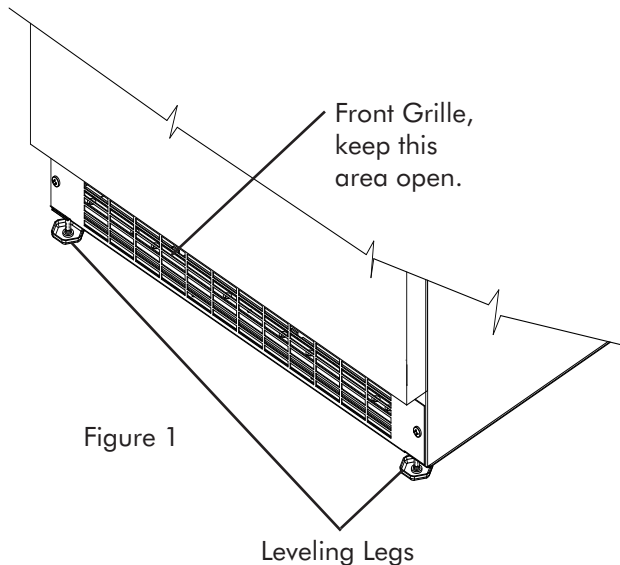


Figure 1

Leveling Legs

Adjustable legs at the front and rear corners of the unit should be set so the unit is firmly positioned on the floor and level from side to side and front to back. Turn leveling legs clockwise to raise unit, counterclockwise to lower it. (See Figure 1).

⚠ CAUTION

- Do not splash or spray water from a hose on the wine cellar. Doing so may cause an electrical shock, which may result in severe injury or death.
- This unit should not, under any circumstances, be ungrounded.

Grounding Method

This product is factory equipped with a power supply cord that has a three-pronged, grounded plug. It must be plugged into a mating grounding type receptacle in accordance with the National Electrical Code and applicable local codes and ordinances (see Figure 2). If the circuit does not have a grounding type receptacle, it is the responsibility and obligation of the customer to exchange the existing receptacle in accordance with the National Electrical Code and applicable local codes and ordinances. The third ground prong should not, under any circumstances, be cut or removed.

Electrical Connection

115 volts, 3.3 amps running max. 15 amp dedicated circuit required. 3 prong grounded receptacle required.

⚠ CAUTION

Do not use an extension cord with this appliance.

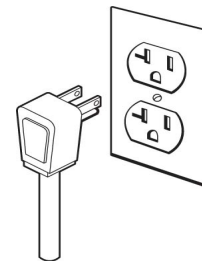


Figure 2

USING YOUR Sentry System™ CONTROL, ALL MODELS EXCEPT 6SDZE

Glass Door Model

Figure 3

Solid Door Model

Figure 4



Start Your Appliance

Please observe the following options when starting your appliance during initial plug-in.

- 1) If Sentry System™ LED is flashing amber (see Figure 3 or 4) the appliance is on. Simply press and release "ON/OFF" button to stop the flashing LED.
- 2) If the interior light is working but Sentry System™ display is blank push and hold "ON/OFF" button for five (5) seconds to start the appliance.

Once loaded with wine bottles, allow at least 48 hours for the unit to stabilize before making any adjustments to the initial temperature setting.

Set Your Temperature Mode

This product can display either Fahrenheit or Celsius. To do so, press the "°F/C" button on the display panel.

Viewing and Changing Current Temperature Settings

The temperature set point is initially set in the factory at 55 degrees F. The available temperature range of the unit is from 40 to 65 degrees F (4 to 18 °C).

To view the set point push the "SET" button once and the word "SET" and the current set-point will be displayed. While "SET" icon is displayed push the "WARMER" or "COLDER" button for your desired temperature. Push the "SET" key to exit set-point mode and activate your new temperature settings, or after 10 seconds the new settings will automatically be activated.

As with any refrigeration product, there is a slight temperature variance at different locations within the cabinet.

Interior Light and Switch

The interior light makes it easy to view your wine labels and enhances the display of your collection. Pressing the "LIGHT" key toggles between 2 modes of operation for the internal lights: functional (default) mode and showcase mode. If you are in functional (default) mode, the lights will turn on only if the door is open. If you are in showcase mode, the lights will be on whether or not the door is open.

Warning Alarms

Your wine cellar has been fitted with a Sentry System™ refrigeration monitor. This monitor will let you know if your cellar is not functioning properly for optimum wine storage and will alert you in the unlikely event there is an unstable condition.

Door Ajar Alarm

If the door has been left open for over five (5) minutes, the alarm will sound and the LED will flash green. This will stop as soon as the door is closed.

High and Low Temperature

If your unit reaches temperatures outside normal operating temperatures for your set point for more than one (1) hour, an alarm will sound and the LED will flash red. This will warn you that your wines have seen temperatures that may not be conducive for long-term storage.

Power Failure

If your unit experiences a power failure, the LED will flash amber until the alarm is reset.

Reset Alarms

Press the "ON/OFF" button for approximately one (1) second. This will reset all audible and display alarms.

Sabbath Mode

Your wine cellar is equipped with a Sabbath Mode feature. By activating this mode, you will be disabling all displays, audible alarms and lights.

To activate Sabbath Mode, press and hold the "SET" button while pressing the "°F/C" button four (4) times within seven (7) seconds. To deactivate Sabbath Mode, repeat the process. Sabbath Mode will automatically deactivate after 72 hours.

Advanced Sentry System™ features:

Sentry System™ continually monitors critical refrigeration system components for proper operation. If component parameters exceed normal operation specifications, the display will automatically flash the respective error code as follows:

- E1-Compressor fault
- E2-Condenser fan motor fault
- E3-Evaporator thermistor sensor fault
- E4-Display thermistor sensor fault

Please call a qualified service technician if any of these codes are displayed.

USING YOUR Sentry System™ CONTROL 6SDZE only

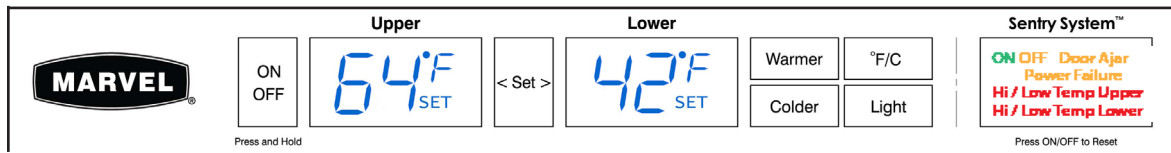


Figure 5

Start Your Appliance

Please observe the following options when starting your appliance during initial plug-in.

- 1) If Sentry System™ LED is flashing amber (see Figure 5) the appliance is on. Simply press and release “ON/OFF” button to stop the flashing LED.
- 2) If the interior light is working but Sentry System™ display is blank push and hold the “ON/OFF” button for five (5) seconds to start your appliance.

Once loaded with wine bottles, allow at least 48 hours for the unit to stabilize before making any adjustments to the initial temperature setting.

Set Your Temperature Mode

This product can display either Fahrenheit or Celsius. To do so, press the “°F/C” key on the display panel.

Control Range

The unit is equipped with two individual refrigeration compartments each one independent of the other. The available temperature range of each compartment is from 40 to 65 °F (4 to 18 °C). The control range allows flexibility of temperature preferences and provides the ideal wine storing and/or serving temperatures. Optimum efficiencies regarding performance and energy consumption are achieved when the lower compartment is chosen as the coldest compartment of the two compartments.

Viewing and Changing Current Temperature Settings

The temperature set point is initially set in the factory at 55 degrees F.

To view the set point push the “SET” button once and the word “SET” and the current set-point will be displayed in the upper compartment. Push the “SET” key a second time and the word “SET” and the current set-point will be displayed in the lower compartment. While the “SET” icon is displayed for a given chamber, push the “WARMER” or “COLDER” key for your desired temperature. Push the “SET” key to exit set-point mode and activate your new temperature settings, or after 10 seconds the new settings will automatically be activated. As with any refrigeration product, there is a slight temperature variance at different locations within the cabinet.

Interior Light and Switch

The interior light makes it easy to view your wine labels and enhances the display of your collection. Pressing the “LIGHT” key toggles between 2 modes of operation for the internal lights: functional (default) mode and showcase mode. If you are in functional (default) mode, the lights will turn on only if the door is open. If you are in showcase

mode, the lights will be on whether or not the door is open. When in showcase mode, a light indicator is illuminated on the display.

Warning Alarms

Your dual zone wine cellar has been fitted with a Sentry System™ refrigeration monitor. This monitor will let you know that your cellar is functioning properly for optimum wine storage and will alert you in the unlikely event there is an unstable condition.

Door Ajar Alarm

If the door has been left open for over five (5) minutes, the alarm will sound and the message center will display an amber “DOOR AJAR” message.

High and Low Temperature

If your unit reaches temperatures outside normal operating temperatures for your set point for one (1) hour or greater, an alarm will sound and the message center will display either a red “HI/LOW TEMP UPPER” or a red “HI/LOW TEMP LOWER” message. This will warn you that your wines have seen temperatures that are out of range.

Power Failure

If your unit experiences a power failure, the message center will display an amber “POWER FAILURE” message.

Reset Alarms

Press the “ON/OFF” button for approximately one second. This will reset all audible and display alarms.

Sabbath Mode

By enabling this mode, you will be disabling the display, Sentry System™ message center, audible alarms and interior lights. To enable Sabbath Mode, press and hold the “SET” key while pressing the “°F/C” key 4 times within 7 seconds. To disable Sabbath Mode, repeat the enable process. The Sabbath Mode will automatically disable after 72 hours. A power outage will not disable Sabbath Mode.

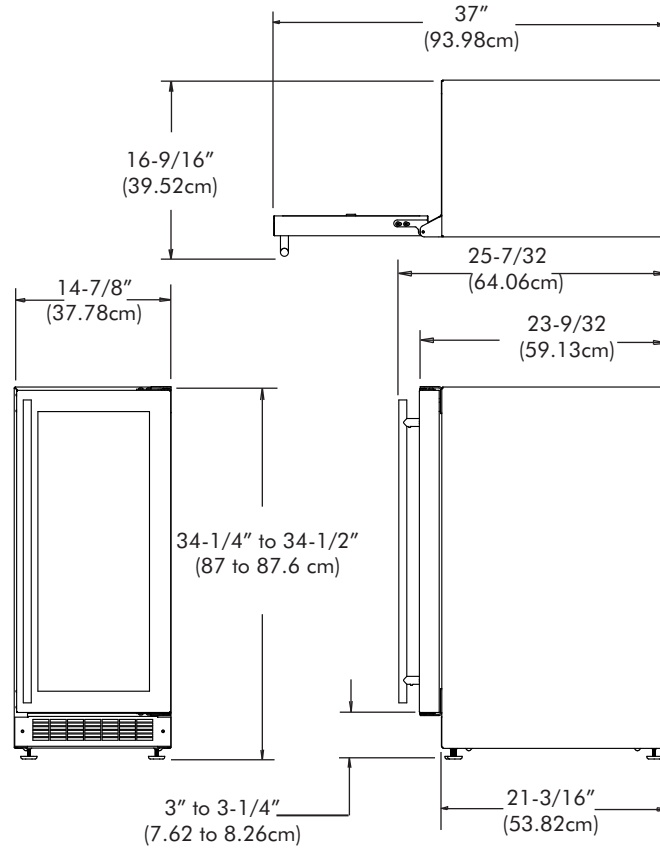
Advanced Sentry System™ features:

Sentry System™ continually monitors critical refrigeration system components for proper operation. If component parameters exceed normal operation specifications, the display will automatically flash the respective error code as follows:

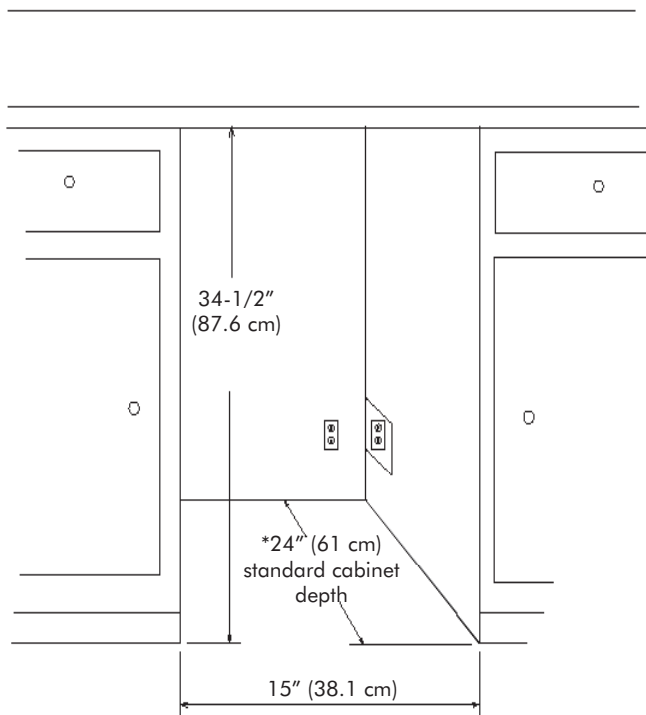
- E1-Compressor fault
- E2-Condenser fan motor fault
- E3-Upper compartment sensor fault
- E4-Lower compartment sensor fault

Please call a qualified service technician if any of these codes are displayed.

DIMENSIONS FOR 3SWCE & 3SWCCE GLASS DOOR



Rough In Opening Dimensions, for 3SWCE & 3SWCCE Glass Door



⚠ CAUTION

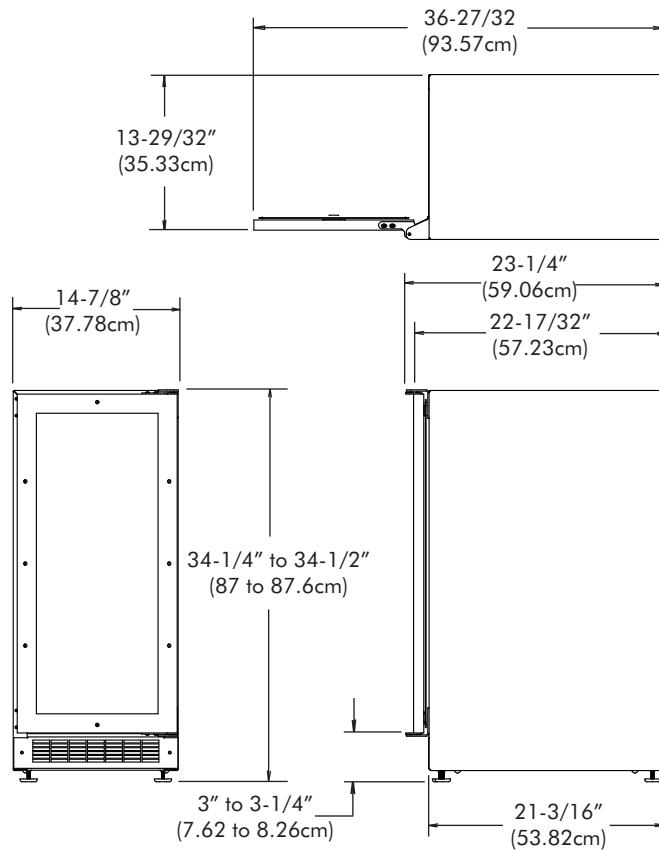
Electrical Requirements: 115 volts, 3.3 amps running max. 15 amp dedicated circuit required. 3 prong grounded receptacle required.

Power outlet can be located in the back wall behind unit. Add 1" to depth for thickness of plug, or recess outlet 1" into the wall. Power outlet can also be installed in adjacent cabinetry with a cutout for routing of power cord. Follow all local building codes when installing electrical and unit.

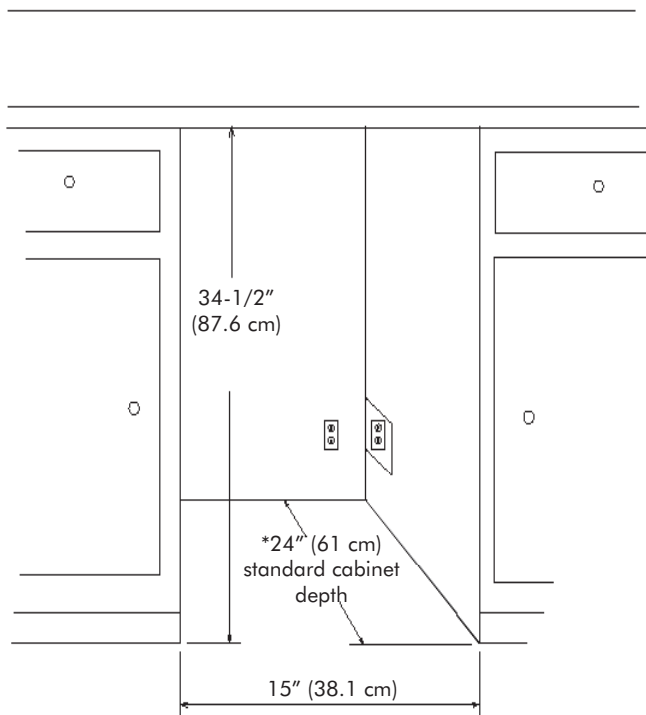
Product weight = 130 lbs. (59.1 kg.)

* Depth dimension may vary depending on each individual installation.

DIMENSIONS FOR 3SWCE & 3SWCCE GLASS OVERLAY DOOR



Rough In Opening Dimensions for 3SWCE & 3SWCCE Glass Overlay Door



⚠ CAUTION

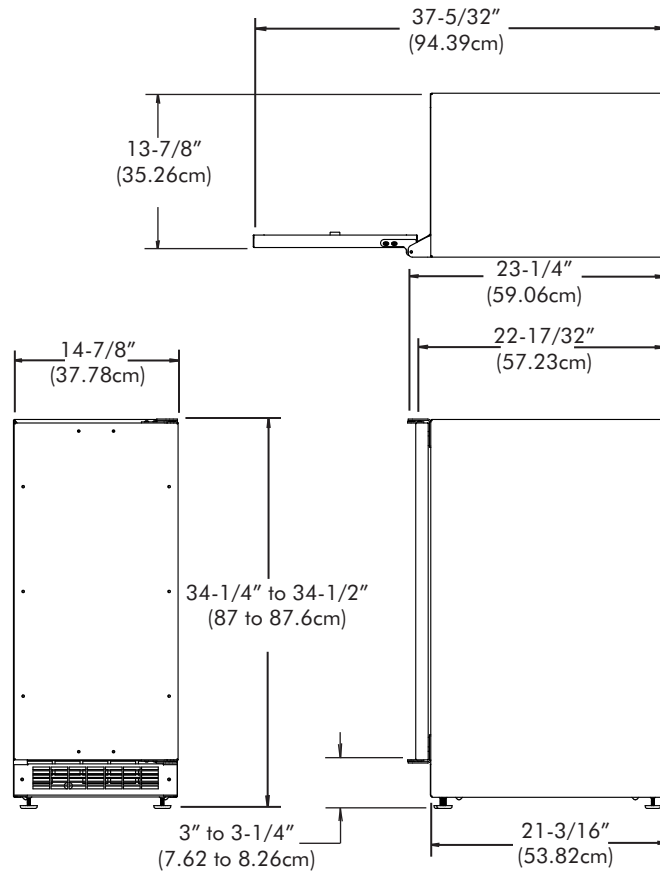
Electrical Requirements: 115 volts, 3.3 amps running max. 15 amp dedicated circuit required. 3 prong grounded receptacle required.

Power outlet can be located in the back wall behind unit. Add 1" to depth for thickness of plug, or recess outlet 1" into the wall. Power outlet can also be installed in adjacent cabinetry with a cutout for routing of power cord. Follow all local building codes when installing electrical and unit.

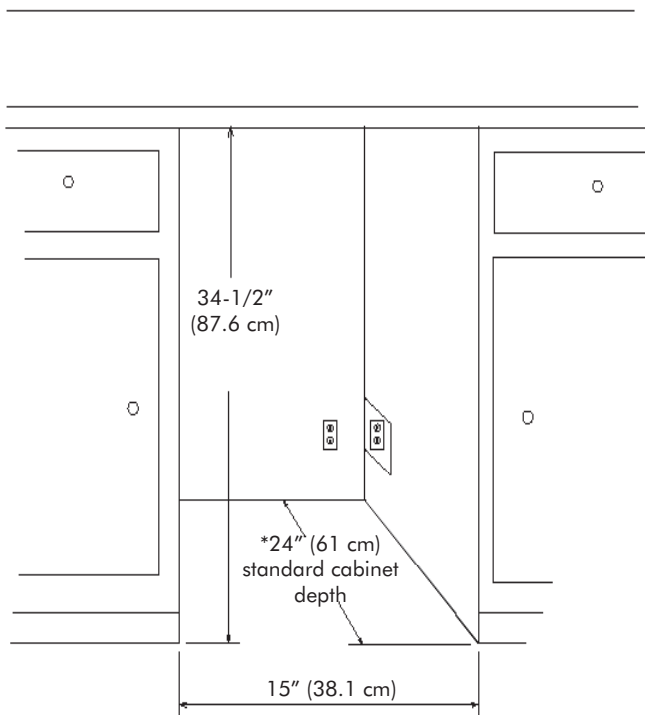
Product weight = 130 lbs. (59.1 kg.)

* Depth dimension may vary depending on each individual installation.

DIMENSIONS FOR 3SWCE & 3SWCCE SOLID OVERLAY DOOR



Rough In Opening Dimensions for 3SWCE & 3SWCCE Solid Overlay Door



⚠ CAUTION

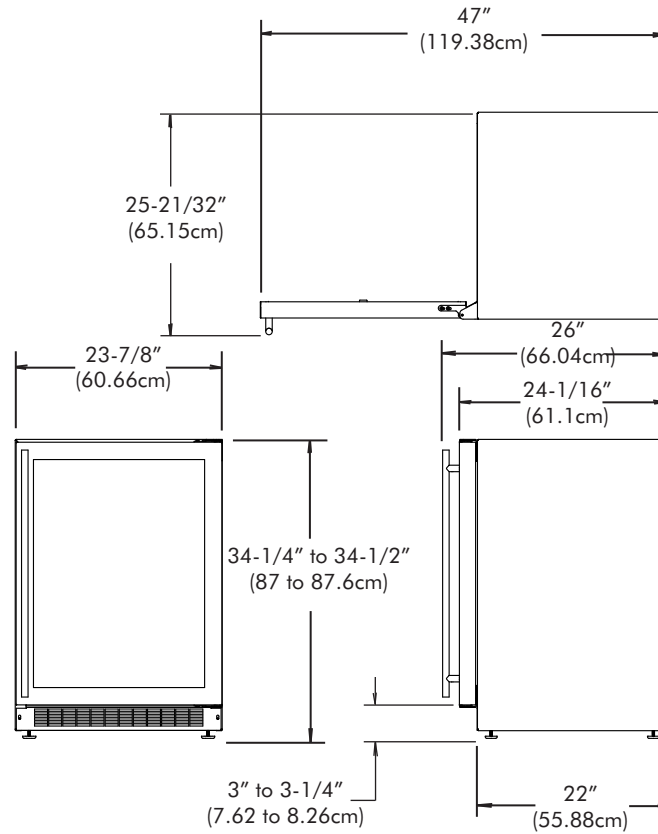
Electrical Requirements: 115 volts, 3.3 amps running max. 15 amp dedicated circuit required. 3 prong grounded receptacle required.

Power outlet can be located in the back wall behind unit. Add 1" to depth for thickness of plug, or recess outlet 1" into the wall. Power outlet can also be installed in adjacent cabinetry with a cutout for routing of power cord. Follow all local building codes when installing electrical and unit.

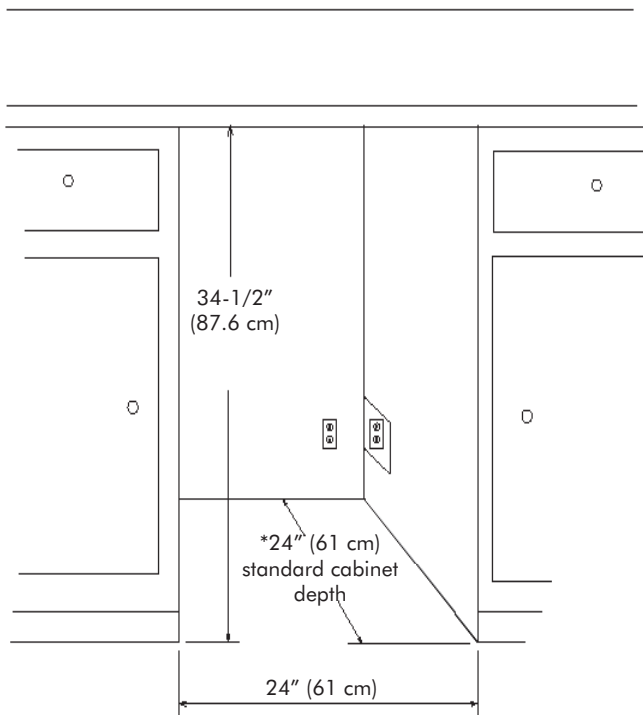
Product weight = 130 lbs. (59.1 kg.)

* Depth dimension may vary depending on each individual installation.

DIMENSIONS FOR 6SWCE GLASS DOOR



Rough In Opening Dimensions for 6SWCE Glass Door



CAUTION

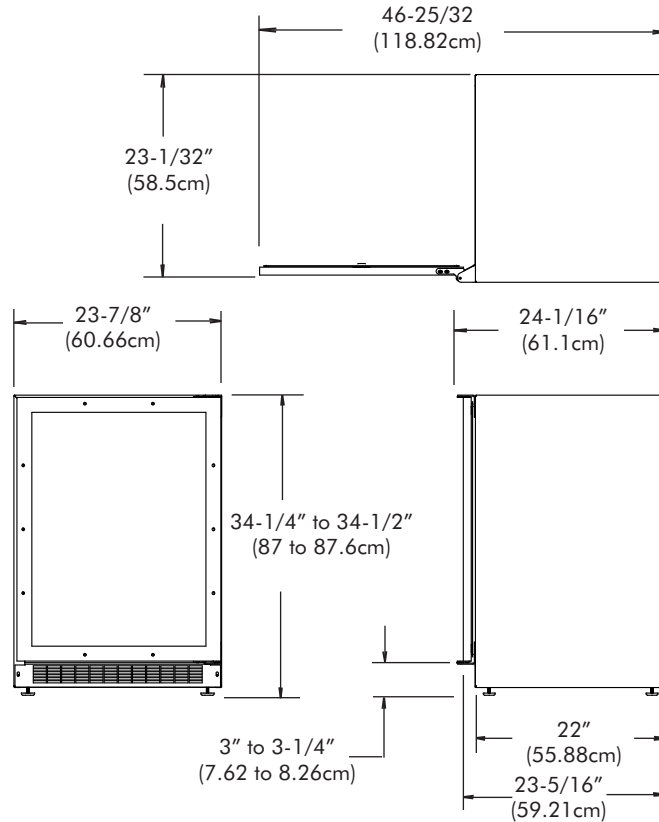
Electrical Requirements: 115 volts, 3.3 amps running max. 15 amp dedicated circuit required. 3 prong grounded receptacle required.

Power outlet can be located in the back wall behind unit. Add 1" to depth for thickness of plug, or recess outlet 1" into the wall. Power outlet can also be installed in adjacent cabinetry with a cutout for routing of power cord. Follow all local building codes when installing electrical and unit.

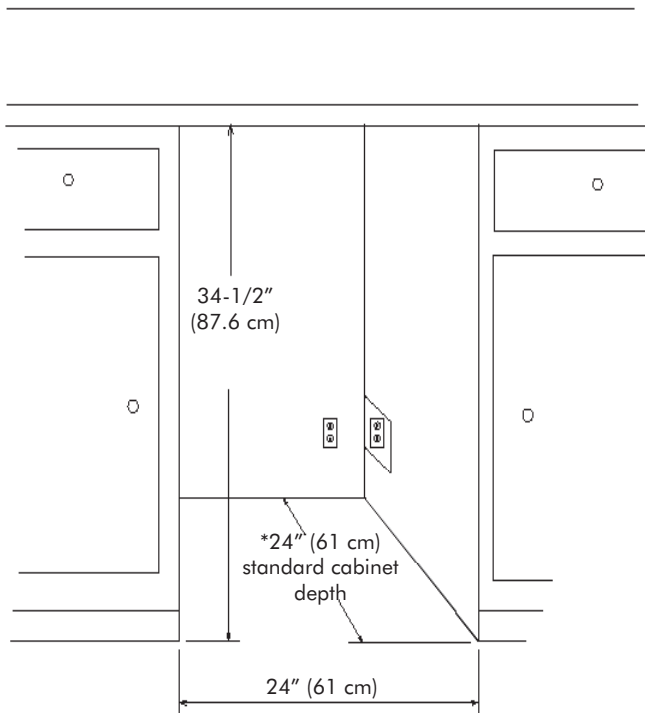
Product weight = 166 lbs. (75.5 kg.)

* Depth dimension may vary depending on each individual installation.

DIMENSIONS FOR 6SWCE GLASS OVERLAY DOOR



Rough In Opening Dimensions for 6SWCE Glass Overlay Door



⚠ CAUTION

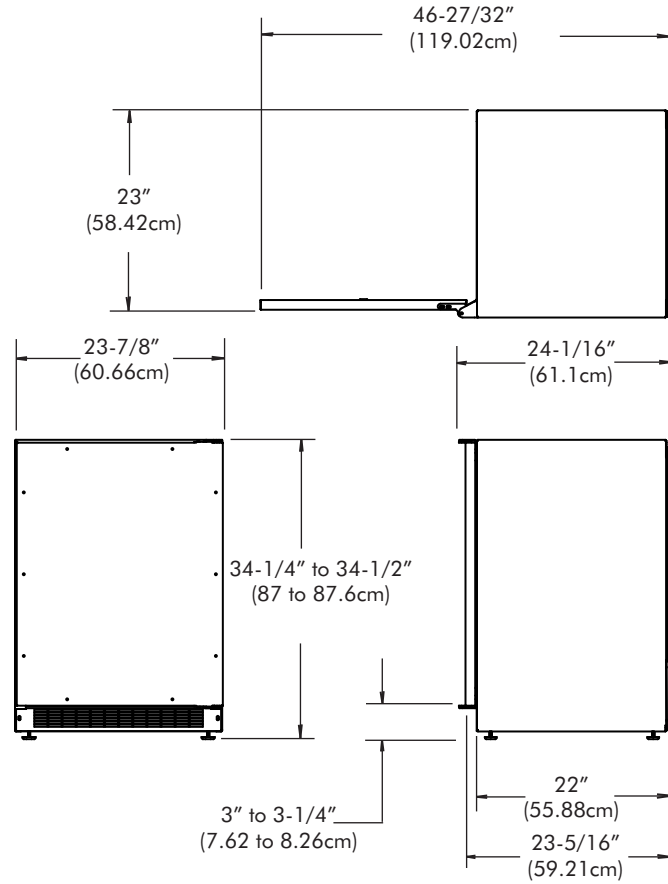
Electrical Requirements: 115 volts, 3.3 amps running max. 15 amp dedicated circuit required. 3 prong grounded receptacle required.

Power outlet can be located in the back wall behind unit. Add 1" to depth for thickness of plug, or recess outlet 1" into the wall. Power outlet can also be installed in adjacent cabinetry with a cutout for routing of power cord. Follow all local building codes when installing electrical and unit.

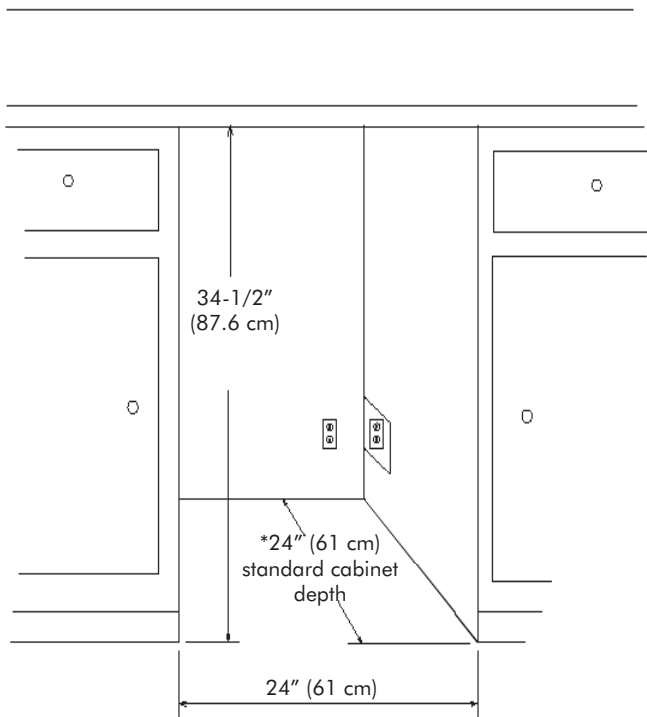
Product weight = 166 lbs. (75.5 kg.)

* Depth dimension may vary depending on each individual installation.

DIMENSIONS FOR 6SWCE SOLID OVERLAY DOOR



Rough In Opening Dimensions for 6SWCE Solid Overlay Door



⚠ CAUTION

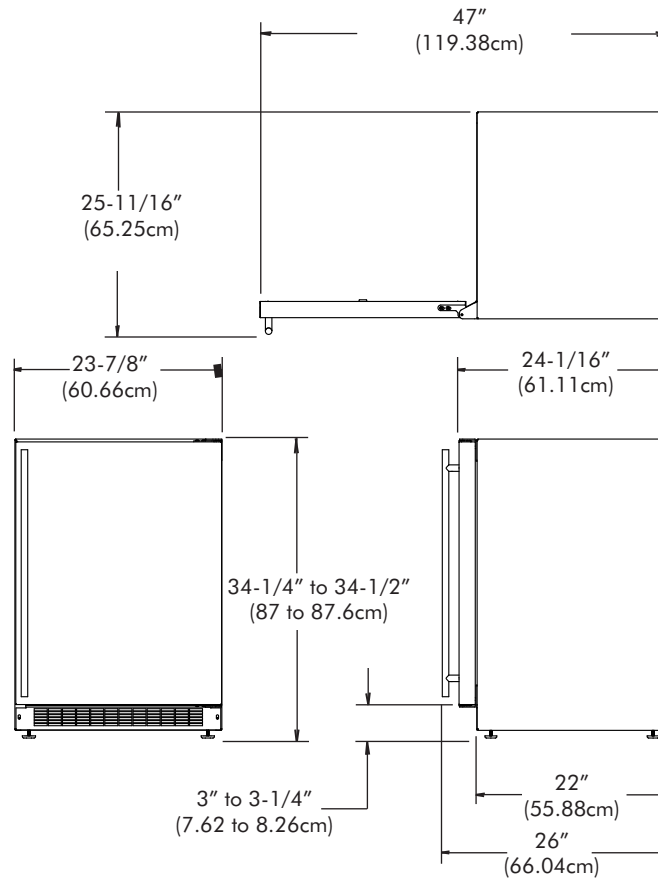
Electrical Requirements: 115 volts, 3.3 amps running max. 15 amp dedicated circuit required. 3 prong grounded receptacle required.

Power outlet can be located in the back wall behind unit. Add 1" to depth for thickness of plug, or recess outlet 1" into the wall. Power outlet can also be installed in adjacent cabinetry with a cutout for routing of power cord. Follow all local building codes when installing electrical and unit.

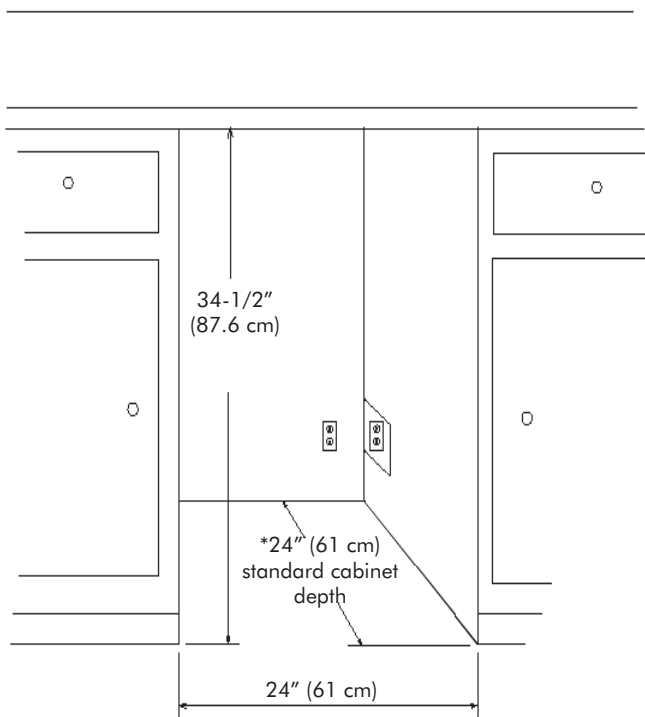
Product weight = 166 lbs. (75.5 kg.)

* Depth dimension may vary depending on each individual installation.

DIMENSIONS FOR 6OSWCE SOLID DOOR



Rough In Opening Dimensions for 6OSWCE Solid Door



⚠ CAUTION

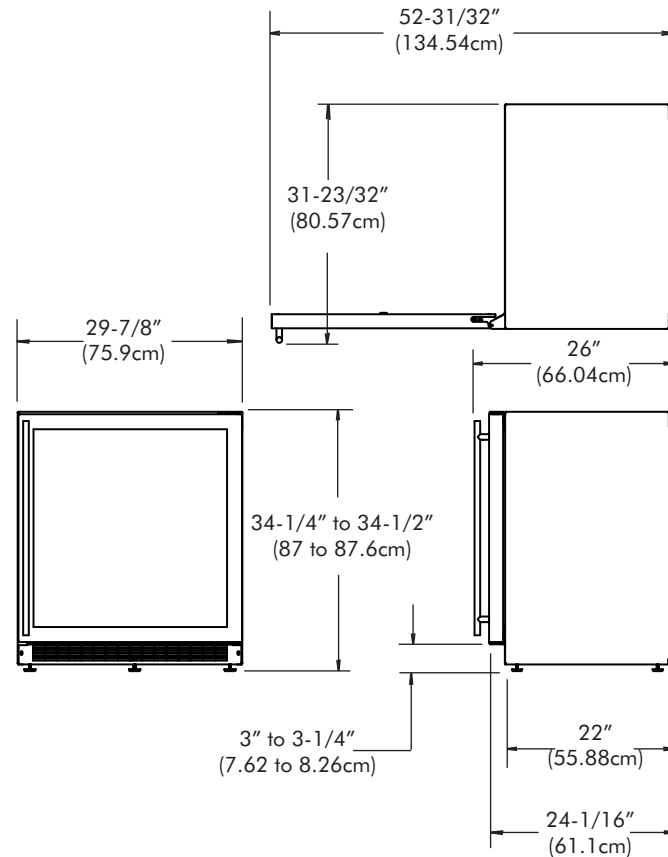
Electrical Requirements: 115 volts, 3.3 amps running max. 15 amp dedicated circuit required. 3 prong grounded receptacle required.

Power outlet can be located in the back wall behind unit. Add 1" to depth for thickness of plug, or recess outlet 1" into the wall. Power outlet can also be installed in adjacent cabinetry with a cutout for routing of power cord. Follow all local building codes when installing electrical and unit.

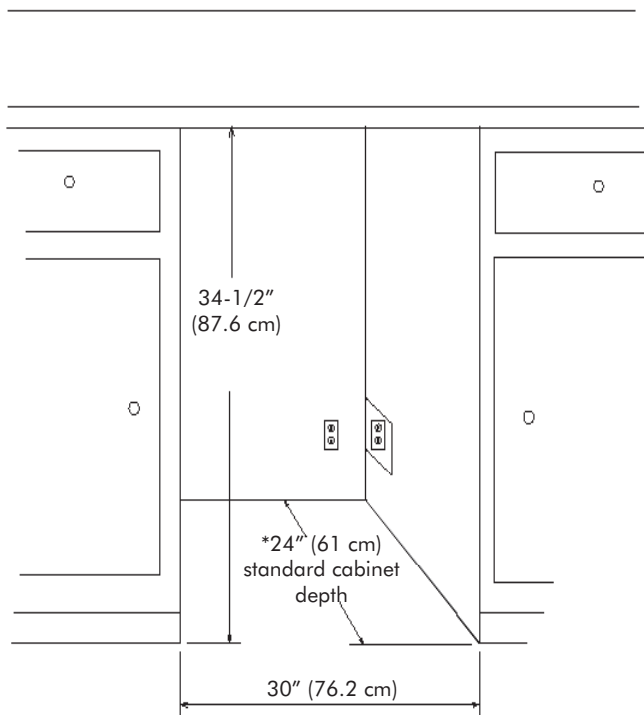
Product weight = 166 lbs. (75.5 kg.)

* Depth dimension may vary depending on each individual installation.

DIMENSIONS FOR 8SWCE GLASS DOOR



Rough In Opening Dimensions for 8SWCE Glass Door



⚠ CAUTION

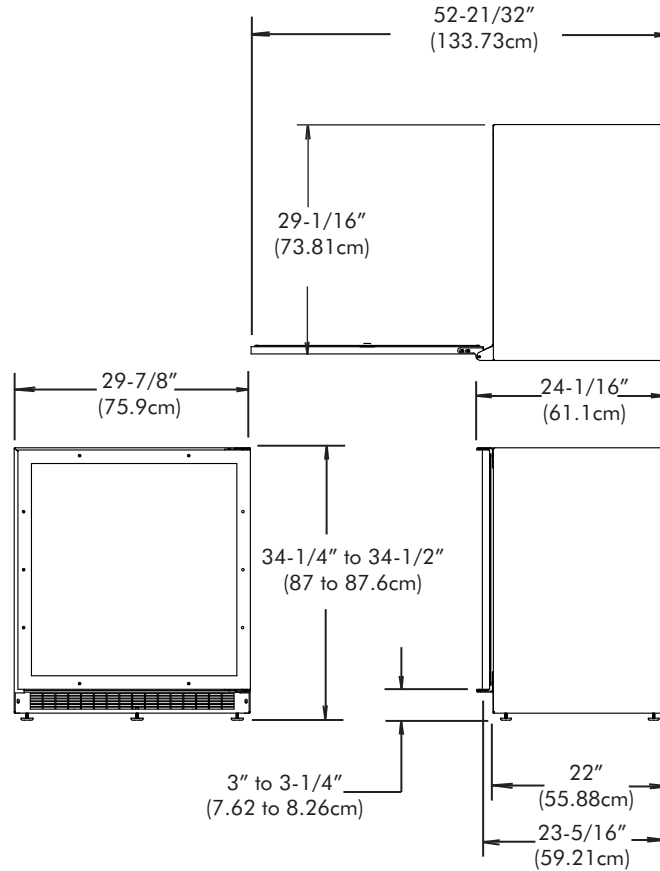
Electrical Requirements: 115 volts, 3.3 amps running max. 15 amp dedicated circuit required. 3 prong grounded receptacle required.

Power outlet can be located in the back wall behind unit. Add 1" to depth for thickness of plug, or recess outlet 1" into the wall. Power outlet can also be installed in adjacent cabinetry with a cutout for routing of power cord. Follow all local building codes when installing electrical and unit.

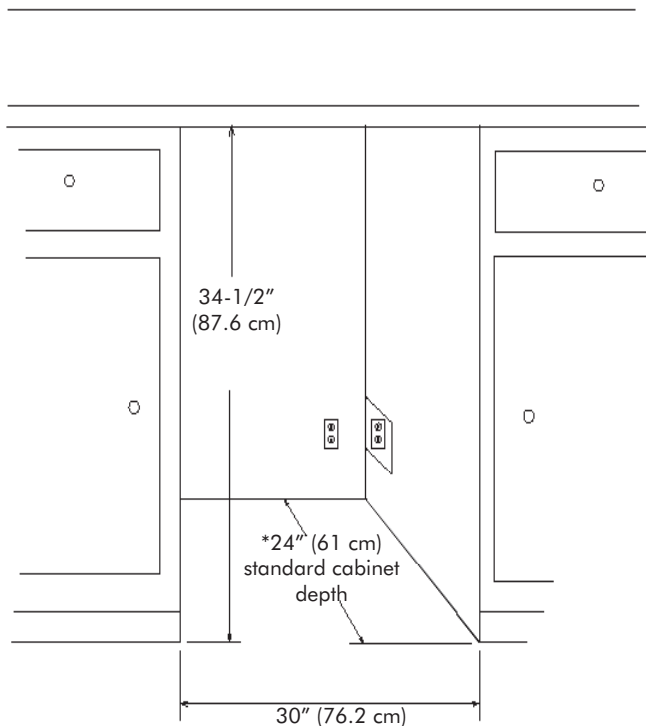
Product weight = 172 lbs. (78.2 kg.)

* Depth dimension may vary depending on each individual installation.

DIMENSIONS FOR 8SWCE GLASS OVERLAY DOOR



Rough In Opening Dimensions for 8SWCE Glass Overlay Door



⚠ CAUTION

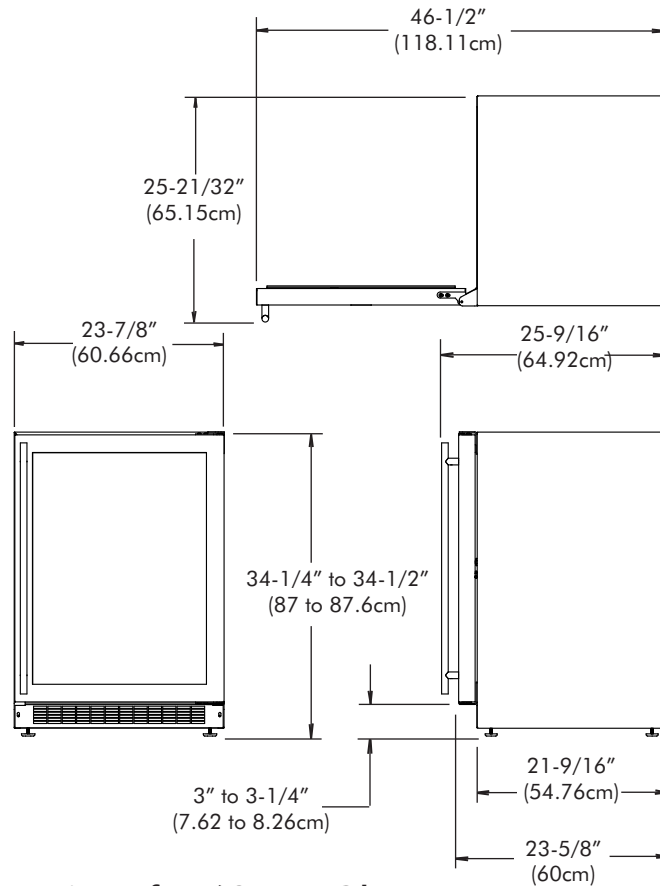
Electrical Requirements: 115 volts, 3.3 amps running max. 15 amp dedicated circuit required. 3 prong grounded receptacle required.

Power outlet can be located in the back wall behind unit. Add 1" to depth for thickness of plug, or recess outlet 1" into the wall. Power outlet can also be installed in adjacent cabinetry with a cutout for routing of power cord. Follow all local building codes when installing electrical and unit.

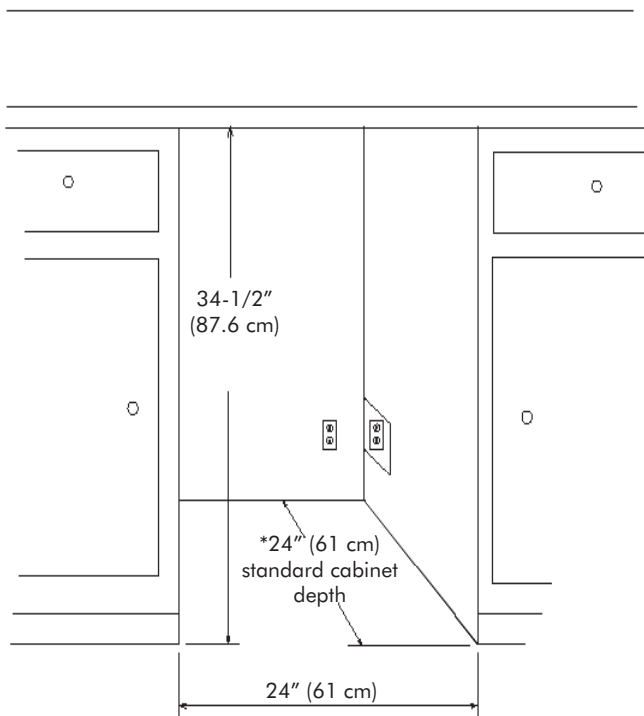
Product weight = 172 lbs. (78.2 kg.)

* Depth dimension may vary depending on each individual installation.

DIMENSIONS FOR 6SDZE GLASS DOOR



Rough In Opening Dimensions for 6SDZE Glass Door



⚠ CAUTION

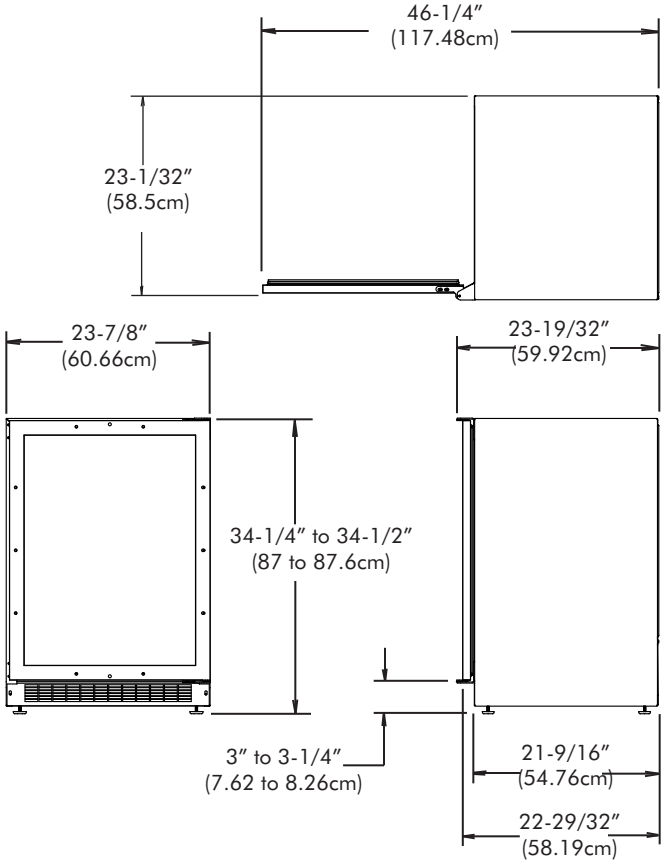
Electrical Requirements: 115 volts, 3.3 amps running max. 15 amp dedicated circuit required. 3 prong grounded receptacle required.

Power outlet can be located in the back wall behind unit. Add 1" to depth for thickness of plug, or recess outlet 1" into the wall. Power outlet can also be installed in adjacent cabinetry with a cutout for routing of power cord. Follow all local building codes when installing electrical and unit.

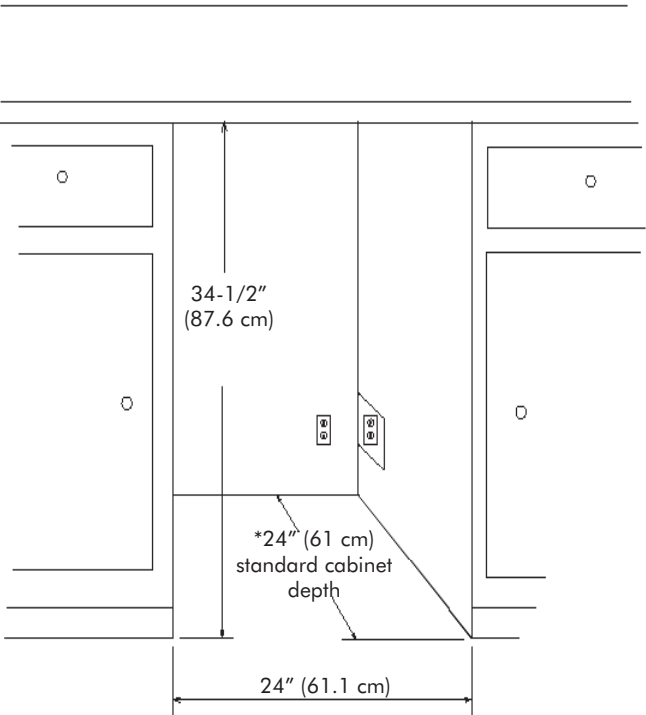
Product weight = 136 lbs. (61.8 kg.)

* Depth dimension may vary depending on each individual installation.

DIMENSIONS FOR 6SDZE GLASS OVERLAY DOOR



Recommended Rough In Opening for 6SDZE Glass Overlay Door



⚠ CAUTION

Electrical Requirements: 115 volts, 3.3 amps running max. 15 amp dedicated circuit required. 3 prong grounded receptacle required.

Power outlet can be located in the back wall behind unit. Add 1" to depth for thickness of plug, or recess outlet 1" into the wall. Power outlet can also be installed in adjacent cabinetry with a cutout for routing of power cord. Follow all local building codes when installing electrical and unit.
 Product weight = 136 lbs. (61.8 kg.)

* Depth dimension may vary depending on each individual installation.

FULL OVERLAY PANEL INSTALLATION INSTRUCTIONS

⚠ CAUTION

Step 1: Verify door alignment

The door should be parallel to the sides and top of the refrigerator. If alignment is necessary the door may be adjusted by loosening the 2 screws which secure the hinge adapter brackets to the door and adjusting the door side to side. Use a 5/32" allen wrench for this procedure. (See Figure 5 below).

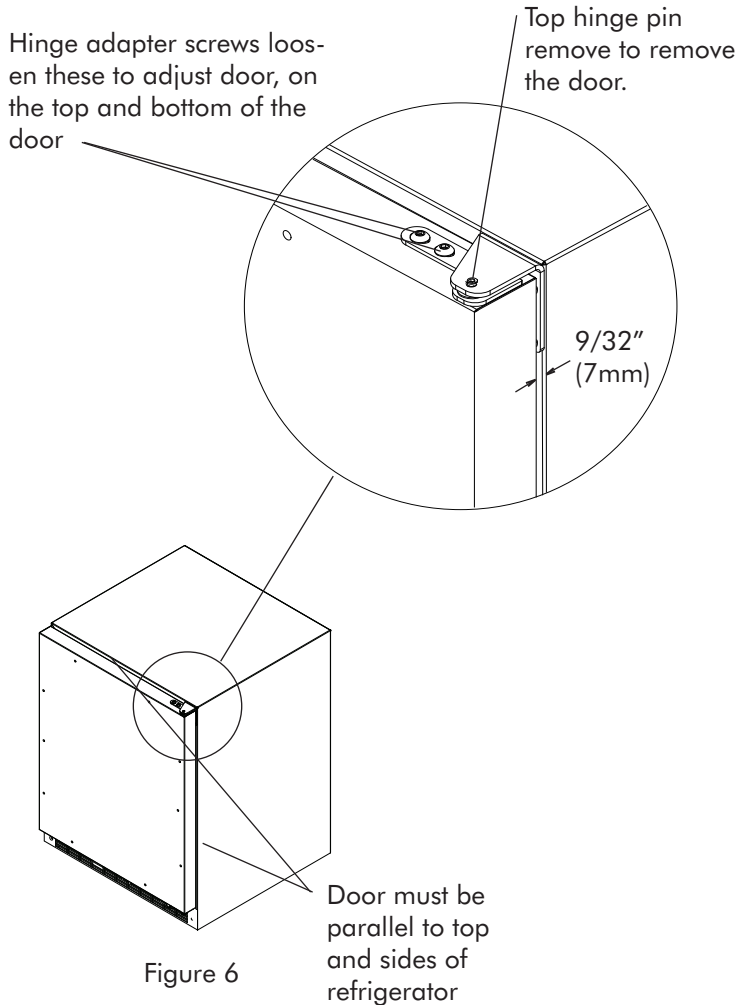


Figure 6

Door must be parallel to top and sides of refrigerator

Step 2: Remove door

Remove the top hinge pin from the hinge with an 1/8" allen wrench. Remove the door by angling the top of the door outward and lifting the door off the bottom hinge. (See detail in Figure 6).

Step 3: Remove gasket

Lay the door on its front being careful not to scratch it. Remove the door gasket by peeling up and out of the channel.

Step 4: Cut overlay panel

Depending on the wine cellar model cut the overlay panel to the dimensions shown. Use Figure 7 and Table A for solid door models or use Figure 8 and Table B for glass door models.

NOTE

For overlay with lock option panel thickness to be 3/4" (19mm) maximum to 5/8" (16mm) minimum.

⚠ CAUTION

Weight of the overlay panel should not exceed 20 pounds (9.1 kilograms).

NOTE

For the door closer to work properly it is necessary to maintain a minimum space of 9/32" (7mm) between the door and cabinet flange as shown. This space can be adjusted by adjusting the top and bottom hinge adapters.

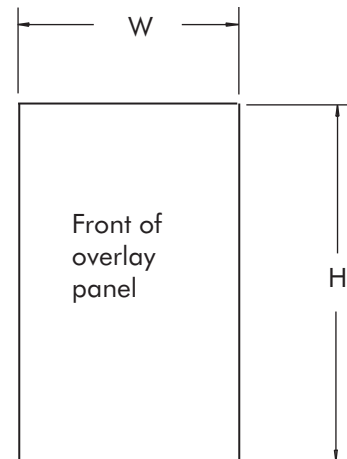


Figure 7

Solid Door Models

| Model | W | H |
|-------|----------------------|-----------------------|
| 3SWCE | 14-5/8" (37.13cm) | 30-5/16" (76.99cm) |
| 6SWCE | 23-5/8" (59.99cm) | 30-5/16" (76.99cm) |
| 6SDZE | 23-5/8" (59.99cm) | 30-5/16" (76.99cm) |

Table A
Solid Door Models

FULL OVERLAY PANEL INSTALLATION INSTRUCTIONS

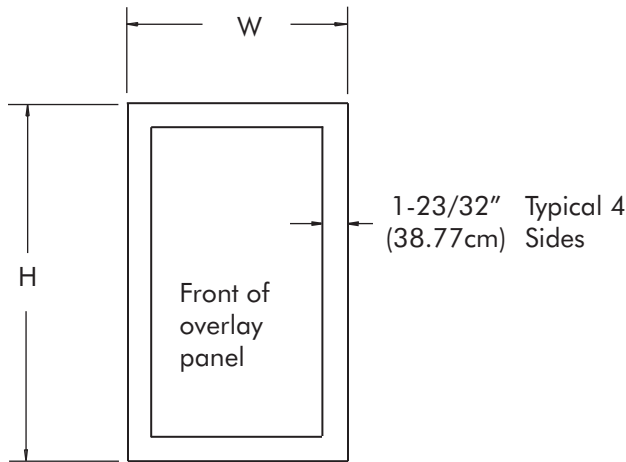


Figure 8
Glass Door Models

| Model | W | H |
|-------|-----------------------|-----------------------|
| 3SWCE | 14-5/16" (36.35cm) | 30-5/16" (76.99cm) |
| 6SWCE | 23-7/16" (59.54cm) | 30-5/16" (76.99cm) |
| 8SWCE | 29-7/16" (74.78cm) | 30-5/16" (76.99cm) |
| 6SDZE | 23-7/16" (59.54cm) | 30-5/16" (76.99cm) |

Table B
Glass Door Models

Step 5: Clamp panel to door

Set the overlay panel on the door front, align the edges, and clamp together. Clamp the panel firmly but be careful not to crush the foam in the door or scratch the door.

Step 6: Drill holes in overlay panel

Remove the hinge adapter bushings from the top and bottom door hinge adapters. (See Figure 11). Using the holes in the hinge adapters drill 5/16" (8mm) diameter clearance holes into the overlay panels 3/4" (20mm) deep. These will be clearance holes for the top and bottom hinge pins.

Also at this time drill the screw pilot holes for attaching the overlay panel to the door. Select the size of the hole from Table C. Be careful not to drill the pilot holes through the overlay panel but only 1/2" (12.7mm) deep.

| Material Type | #8 Wood Screw |
|---------------|------------------------------------|
| Hardwood | 3/32" (2.4mm) Diameter. Pilot Hole |
| Softwood | 5/64 (2.0mm) Diameter. Pilot Hole |

Table C

NOTE

If your refrigerator has a door lock proceed to Step 7. If your refrigerator does not have a door lock proceed to Step 9.

Step 7: Mark and drill lock hole.

Locate and mark with a pencil the location of the lock hole on the overlay panel, this is the hole in the top corner of the handle side of the door. Remove the clamp and remove the overlay panel from the door. On the backside of the panel where you marked the lock location drill a 13/16" (20.5mm) diameter counterbore 7/16" (11.0mm) deep into the overlay panel. Drill a 15/32" (12.0mm) diameter hole through the overlay panel centered on the counterbore being careful not to splinter the wood on the face side of the panel. (See Figure 9).

Step 8: Assemble the lock parts

Two (2) lock extensions are supplied with the lock. Use the longer extension for a 3/4" thick overlay panel and the shorter one for a 5/8" thick panel. Assemble the lock extension, cam stop washer, spring washer, and set screw to the lock as shown in Figure 9 and 10.

Install this assembly into the overlay panel and secure with the retaining nut using a 15mm socket. Make sure the key slot in the lock is vertical.

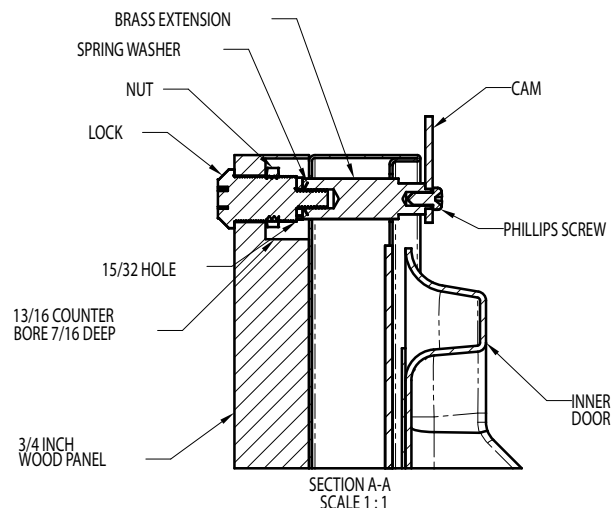


Figure 9

FULL OVERLAY PANEL INSTALLATION INSTRUCTIONS

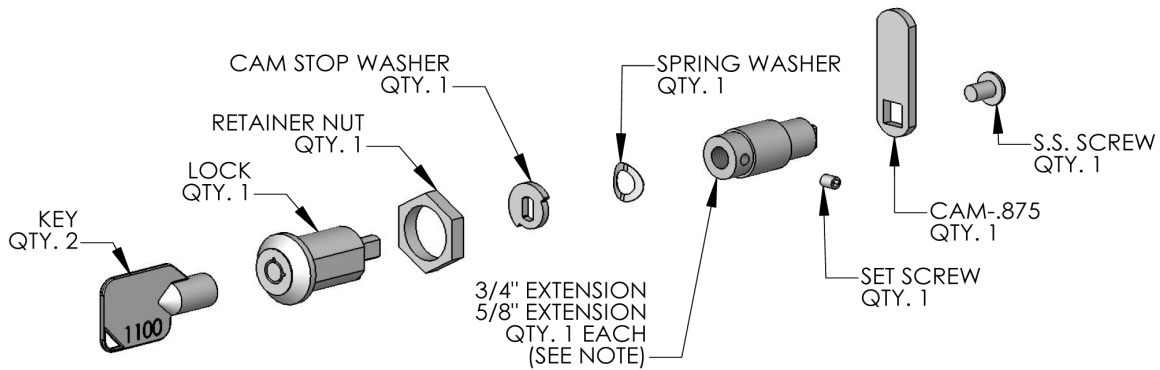


Figure 10

Step 9: Secure overlay panel to the door.
 With the #8 wood screws provided fasten the overlay panel to the door. (See Figure 11).

Step 10: Install lock cam (Models with locks only).
 Attach the lock cam to the back of the lock assembly with the phillips head machine screw provided. Orient the lock cam vertically when installing on the lock.

Step 11: Install door gasket
 Press the door gasket into the door channel. Make certain the gasket corners are fully inserted. If applicable insert the key into the lock and make certain the lock operates properly.

Step 12: Install the door
 Install the top and bottom hinge adapter bushings back into the hinge adapters that were removed in step 6. Install the door by reversing the procedure from step 2. Install the top hinge pin so the screw head is flush with the top surface of the hinge. If applicable insert key into lock and verify the lock cam works properly with the catch bracket on the front of the refrigerator cabinet.

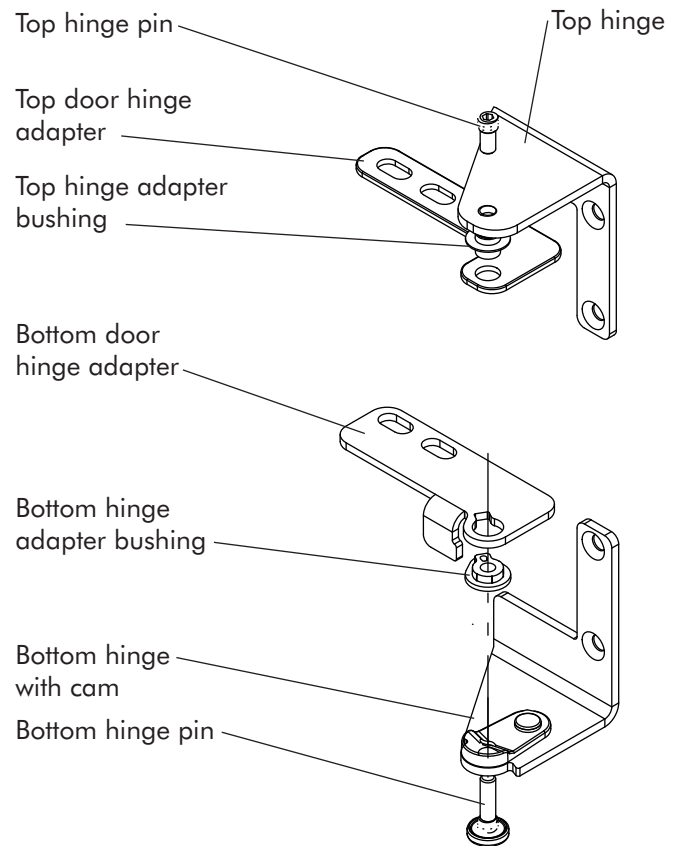


Figure 12
 Right hand hinges shown

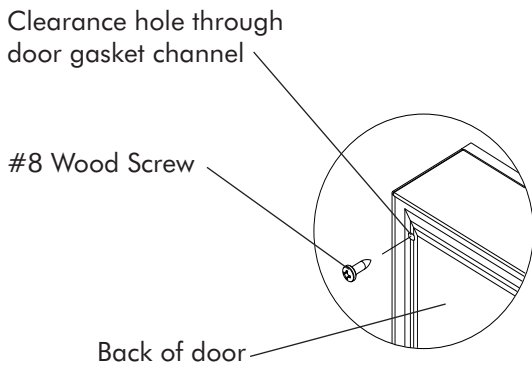


Figure 11

FEATURES FOR WINE CELLARS

Insert Wine Bottles

The roll-out shelves each hold from 3 to 10 bottles per rack depending on model. See Figure 13 to 16 for typical wine bottle spacing. Tall bottles should not be loaded on the bottom rack of the 6SDZE because they may prevent the door from closing.

Loading Tips and Suggestions

Position white wines on the middle or lower racks and red wines on the upper racks.

Keep wines that you plan to use for everyday drinking and entertaining on the front half of the racks where labels are completely visible. Place wines for aging or longer term storing in the rear.

Roll-out Racks

The roll-out wine racks may be pulled out approximately 14 inches to facilitate adding or removing bottles. The bottom rack of model 6SDZE may be pulled out approximately 8 inches. Do NOT lean on or press down heavily on the wine shelves. Doing so may damage the shelves and the wine bottles stored on them. Pull the wine racks out gently and carefully to minimize unsettling your wine collection. AVOID pulling out more than one rack at any time to maintain stability.

Single Bottle Racks

Since bottles are not stacked on top of each other, you can easily view and access your inventory without disturbing other bottles.

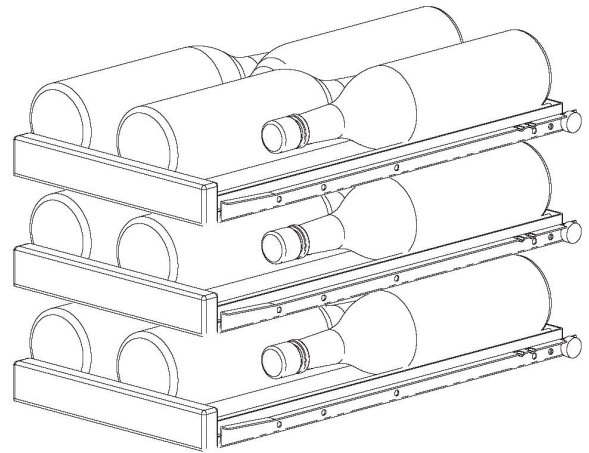


Figure 14
3SWCE 4 bottles of wine per rack

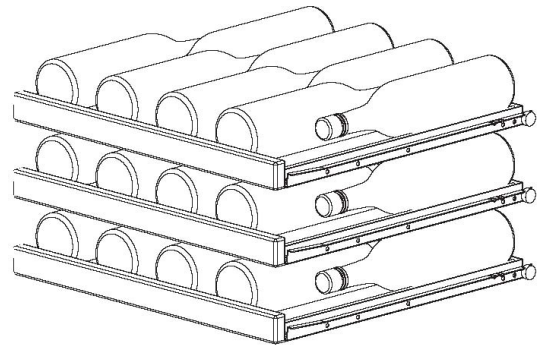


Figure 15
6SWCE, 6OSWCE, 6SDZE
8 bottles of wine per rack

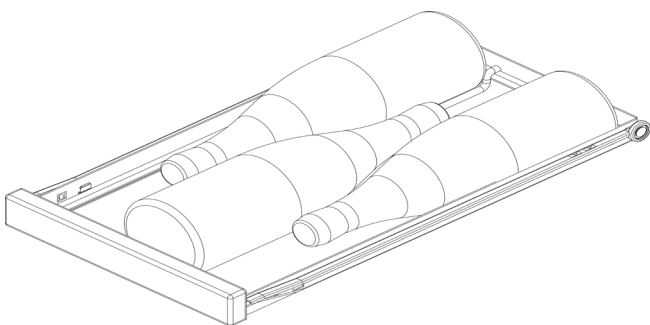


Figure 13
3SWCCE 3 bottles of champagne per rack

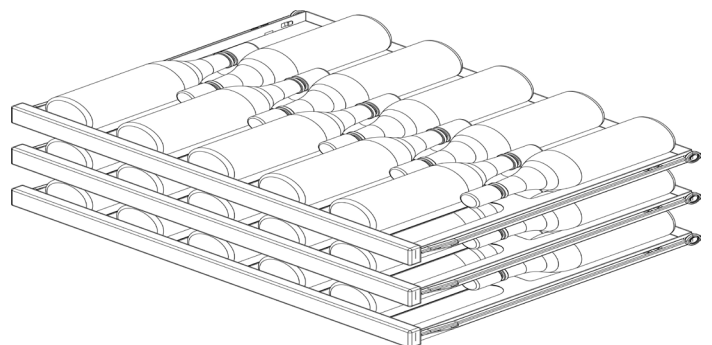


Figure 16
8SWCE 10 bottles of wine per rack

CARE AND CLEANING

Condenser

The condenser tubing inside the cabinet does not require frequent cleaning; however, satisfactory cooling depends on adequate ventilation over the coils. Be sure that nothing obstructs the required air flow openings in front of the cabinet. At least once or twice a year, brush or vacuum lint and dirt from the front grille area (see page 3).

Cabinet

The stainless steel cabinet can be washed with either a stainless steel cleaner or a mild soap and water and thoroughly rinsed with clear water. NEVER use abrasive scouring cleaners. Painted surfaces can be cleaned with mild soap and water.

Interior

Wash interior compartment with mild soap and water. Do NOT use an abrasive cleaner, solvent, polish cleaner or undiluted detergent.

Wine Shelves

The racks may be cleaned with mild soap and water and a soft cloth. Do NOT use any abrasive cleaners. See below for instructions for removing the wine shelves.

Door Gasket

The vinyl gasket may be cleaned with mild soap and water, a baking soda solution or a mild scouring powder.

Removing the Wine Shelves.

Model 6SDZE (Dual Zone Wine Cellar): Unload wine from the shelf to be removed. Pull the shelf all the way out until it stops. Lift up on the front of the shelf so the wheel on the shelf clears the track fastened to the liner and pull the shelf the rest of the way out.

All other models: Unload wine from the shelf to be removed. Pull the shelf all the way out until it stops. At the front of the drawer slide just under the shelf there is a plastic block (see Figure 17). Push this block to the rear to release the slide. Repeat on other side of the shelf. Lift the front of the shelf and pull away from the slides to remove the shelf.

Reverse this procedure to install the shelf. Be sure to move the plastic block to the forward position after installing the shelf.

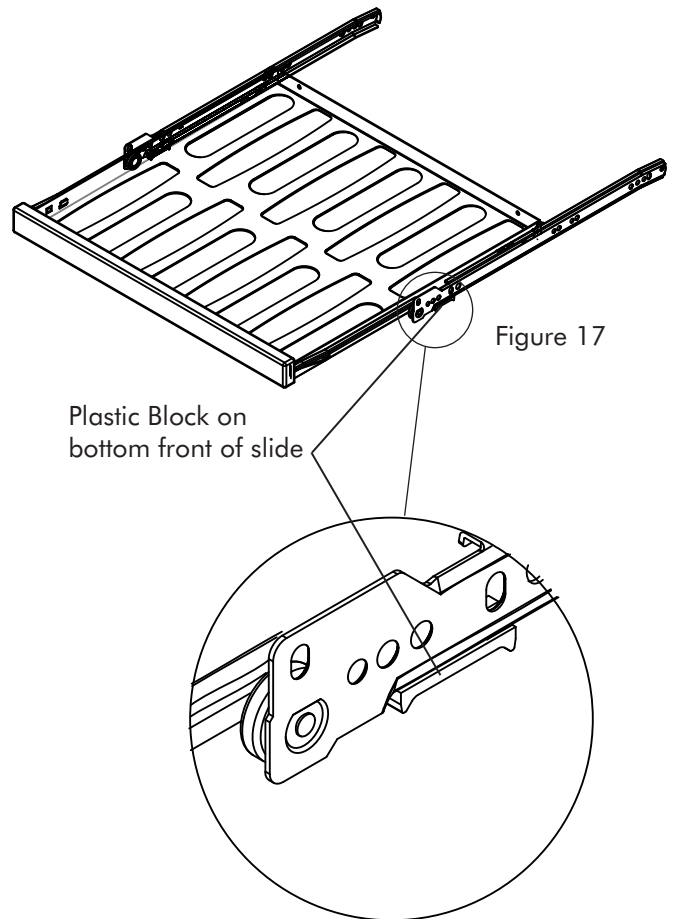


Figure 17

Plastic Block on
bottom front of slide

Light Tube Replacement

CAUTION

DISCONNECT THE POWER CORD BEFORE ATTEMPTING LIGHT TUBE REPLACEMENT. Failure to do so may result in an electrical shock that could severely injure you.

The 3SWCE and 3SWCCE uses one, 6 watt light tube and the 6SWCE, 6SDZE, and 8SWCE use two, 6 watt light tubes to illuminate the interior of the wine cellar. The light tube is a very reliable electrical component, but should it not function properly, please call the dealer you purchased your wine cellar from for a replacement light tube. Use only an original equipment light tube from your dealer or Northland-Marvel.

It may be necessary to remove 1 or 2 shelves directly below the light tube to gain access for removal. See page 21 for instructions on removing the shelves.

CAUTION

Do NOT under any circumstance use a light tube that exceeds 10 watts!

All models except 6SDZE:

To replace a light tube, use a hex-head driver, remove the two hex-head screws that hold a cover plate over the back section of the light tube. Set the screws and cover plate aside for reassembly later.

Using a small flat-blade screwdriver, gently lever the front section of the light tube down to allow it to be pulled clear of the light housing.

Disconnect the two insulated electrical connectors from the cabinet's electrical cable and discard the old light tube. Reconnect the electrical connector of the new light tube to the cabinet's electrical cable connectors. Make sure it is secure and fully installed.

Carefully realign the light tube's electrical terminal back into the rear of the light enclosure channel making sure not to crimp them. Gently insert the light tube along the length of the light enclosure channel. Press the light tube gently into the light enclosure channel. Only a small part of the light tube should project below the ceiling of the wine cellar. DO NOT USE A HAMMER TO FIT THE LIGHT TUBE.

Place the light tube terminal cover plate back in the original

position on the light enclosure's flange. Reuse the original two screws to secure it in place. Plug the wine cellar into the electrical socket. Check to see if the light tube operates properly. Your light tube's replacement is complete.

For model 6SDZE:

This product uses two, 6 watt light tubes to illuminate the interior of the dual zone wine cellar: one in the upper compartment and one in the lower compartment. The upper compartment light tube is located behind the display housing. The lower compartment light tube is located on the underside of the divider that separates the compartments.

To replace the light tube, disconnect power to the unit. Use a hex-head driver to remove the two hex-head screws holding the old light tube in place. Disconnect the electrical plug from the cabinet's electrical receptacle and discard the old light tube. Reconnect the electrical plug of the new light tube to the cabinet's electrical receptacle. Make sure it is secure and fully installed.

Using the hex-head driver, resecure the two hex-head screws to secure the light tube in place. Plug the unit into the electrical socket. Check to see if the light tube operates properly. Your light tube's replacement is complete.

The light tubes are not covered by your warranty. Replacement tubes can be obtained from your dealer or from Northland-Marvel.

In the Event of a Power Failure

If a power failure occurs, try to correct it as soon as possible. Minimize the number of door openings while the power is off so as not to adversely affect the unit's temperature.

TROUBLESHOOTING YOUR WINE CELLAR

Before You Call for Service

If the unit appears to be malfunctioning, read through this manual first. If the problem persists, check the troubleshooting guide below. Locate the problem in the guide and refer to the cause and its remedy before calling for service. The problem may be something very simple that can be solved without a service call. Some remedies listed in the Troubleshooting Guide are very complex. Consulting or contracting a qualified service technician may be necessary.

WARNING

Electrocution Hazard - Never attempt to repair or perform maintenance on the unit until the main electrical power has been disconnected.

| Problem | Possible Cause | Remedy |
|--|--|---|
| Unit not cold enough Adjust temperatures (See "Changing Current Settings" on page 4 or 5) | <ul style="list-style-type: none"> Control set too warm Airflow to front grille blocked. Excessive usage or prolonged drawer openings. Door gasket not sealing properly. | <ul style="list-style-type: none"> Adjust temperature colder. Allow 24 hours for temperature to stabilize. Airflow must not be obstructed to front grille. See "clearances" on page 3. Allow temperature to stabilize for at least 24 hours. Adjust or replace door gasket. |
| Unit too cold Adjust temperatures (See "Changing Current Settings" on page 4 or 5) | <ul style="list-style-type: none"> Control set too cold | <ul style="list-style-type: none"> Adjust temperature warmer. (See page 12, "set the desired temperature"). Allow 24 hours for temperature to stabilize. |
| No interior light inside cabinet. | <ul style="list-style-type: none"> Failed LED interior light assembly | <ul style="list-style-type: none"> Contact a qualified Marvel service technician. |
| Light will not go out when door is closed | <ul style="list-style-type: none"> Door not activating light switch. | <ul style="list-style-type: none"> Verify cabinet is level, refer to page 3 for leveling instructions. Verify the door is aligned properly, refer to page 17 for instructions. |
| Noise or Vibration | <ul style="list-style-type: none"> Unit not level | <ul style="list-style-type: none"> Level unit, see "Leveling Legs" on page 3. |
| Unit will not run. | <ul style="list-style-type: none"> Unit turned off Power cord not plugged in. No power at outlet. | <ul style="list-style-type: none"> Turn unit on. See "Start your Appliance" on page 4 or 5. Plug in power cord. Check house circuit. |

If Service is Required:

- If the product is within the first year warranty period please call Marvel Customer Service at 800.223.3900 for directions on how to obtain warranty coverage in your area.
- If the product is outside the first year warranty period, Marvel Customer Service can provide recommendations of service centers in your area. A listing of authorized service centers is also available at www.marvelrefrigeration.com under the service and support section.
- In all correspondence regarding service, be sure to give the model number, serial number, and proof of purchase.
- Try to have information or description of nature of the problem, how long the unit has been running, the room temperature, and any additional information that may be helpful in quickly solving the problem.
- Fill in pertinent information below regarding your product for future reference.

| For You Records | |
|---|--|
| Date of Purchase | |
| Dealer's name | |
| Dealer's Address | |
| Dealer's City | |
| Dealer's State | |
| Dealer's Zip Code | |
| Appliance Serial Number | |
| Appliance Model Number | |
| Date Warranty Card Sent (Must be within 10 days of purchase). | |

HOUSEHOLD PRODUCT WARRANTY

Entire Product

Limited One Year Parts and Labor Warranty

Marvel warrants that it will supply all necessary parts and labor to repair or replace in the end user's home or office, any component which proves to be defective in material or workmanship, subject to the condition and exclusions stated below, for a period of one year from the date of purchase by the end user.

Additional Second Through Fifth Year Limited Parts Only Warranty

During the four years following expiration of the one year limited warranty, Marvel will supply replacement parts for the hermetically sealed refrigeration system which consists of the compressor, condenser, drier, accumulator, bypass valve, connecting tubing and the evaporator that are proven to be defective due to workmanship or materials subject to the conditions and exclusions below.

The above warranties do not cover:

- Shipping costs of replacement parts or returned defective parts.
- Customer education or instructions on how to use the appliance.
- Any content loss due to product failure.
- Removal or installation of product.

Nor do the above warranties cover failure of this product or its components due to:

- Transportation or subsequent damages.
- Commercial use or use other than normal household or small office.
- Improper installation, misuse, abuse, accident or alteration, use of wiring not conforming to electrical codes, low or high voltages, failure to provide necessary maintenance, or other unreasonable use.

Parts or Service

Not Supplied or Designated by Marvel

The above warranties also do not apply if:

- The original bill of sale, deliver date, or serial number cannot be verified.
- Defective parts are not returned for inspection if so requested by Marvel.
- The refrigeration equipment is not in the possession of the original end use purchaser.

The warranties set forth herein are the only warranties extended by Northland-Marvel. Any implied warranties, including the implied warranty of merchantability, are limited to the duration of these express warranties. In no event shall Northland-Marvel be liable for any consequential or incidental damages or expenses resulting from breach of these or any other warranties, whether express or implied.

Some states do not allow the exclusion or limitation of consequential damages or a limitation on how long an implied warranty lasts, so the above exclusion or limitation may not apply to you. This warranty gives you specific legal rights and you may have other rights that may vary from state to state.

No person, firm, or corporation is authorized to make any other warranty or assume any other obligation for Northland-Marvel. These warranties apply only to products used in any of the fifty states of the United States and the District of Columbia.

To obtain performance of this warranty, report any defects to:

Northland-Marvel
P.O. Box 400
1260 E. Van Deinse St.
Greenville MI 48838

Phone: 800.223.3900



PART OF THE **AGA** RANGEmaster GROUP

Northland-Marvel
P.O. Box 400
1260 E. Van Deinse St.
Greenville MI 48838

800.223.3900

41011764-EN Rev G
11/10/09

www.marvelrefrigeration.com

All specifications and product designs subject to change without notice. Such revisions do not entitle the buyer to corresponding changes, improvements, additions, replacements or compensation for previously purchased products.