

# Fresh Living Tip

Pour fresh drinks on tap at the precise serving temperature you prefer, perfect for parties or a personal happy hour in the comfort of your own backyard. Or, opt for the mobile unit to bring the party wherever you go.

## FINISH OPTIONS



# 24" Marvel Outdoor Dispensers for Beer, Wine and Draft Beverages

MOKR124 & MOKR224

### Storage Adaptability

- 5.7 cu. ft. capacity
- The original dispenser to store half kegs, tall quarter kegs, pony kegs, sixth barrels, Cornelius kegs, growlers, bottles or cans
- Lo-Boy coupler for tall U.S. type D half barrels
- Double-insulated tower reduces foam on pour and prevents condensation (see accessories to order)
- Integrated drain system keeps spillage under control and removable components make for easier cleaning
- (2) stow-on-board, commercial-grade stainless-steel shelves convert unit to a full refrigerator to store perishables
- Secure gas tank storage area and drain basin
- Anti-scoff interior floor shield and stainless steel threshold protect against cabinet wear and tear from loading and unloading kegs
- Rear port gives external gas tank option

### Cooling Performance

- Designed for outdoor use
- Dynamic cooling technology delivers rapid cool down, frost-free operation and precise temperature stability
- Thermal-efficient cabinet insulates cooling and conserves energy

### Convenient Controls

- Multifunction controls allow you to select a precise temperature from 34° F to 60° F

### Fit & Finish

- Bright arctic white interior easily wipes clean
- Reversible door allows for right or left swing for adaptable installation
- Stainless steel toe kick adjustable to 4" with leveling legs
- Door lock provides added safety and security

### Warranty

- 1-year parts and labor warranty and 5-year sealed system parts warranty



Half Barrel\*

Pony Keg

Two Sixth Barrels

Full Storage

\*Requires Lo-Boy coupler. All tap kits include D-style Lo-Boy coupler for U.S. kegs.

### 4 Tap Kits

Choose between a standard dispenser kit for any draft-style beverage or the specialty wine tap for white or red wine.

#### Standard Dispenser



Single Tap



Twin Tap

#### Wine Dispenser



Single Tap



Twin Tap

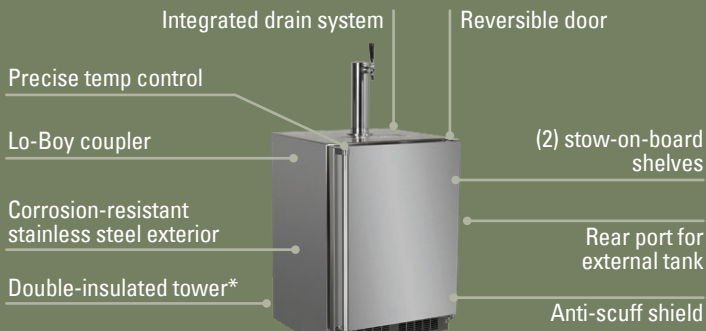
DOOR STYLE	MODEL NUMBER
Solid Stainless Steel (BUILT-IN)	MOKR124-SS31A
Solid Stainless Steel (MOBILE)	MOKR224-SS31A

TAP KIT ACCESSORIES	PART #
Wine Single Tap Kit with Nitro Tank and Fittings	S42418647-ACCY
Wine Twin Tap Kit with Nitro Tank and Fittings	S42418648-ACCY
Universal Single Tap Kit with CO2 Tank and Fittings	S42418645-ACCY
Universal Twin Tap Kit with CO2 Tank and Fittings	S42418646-ACCY

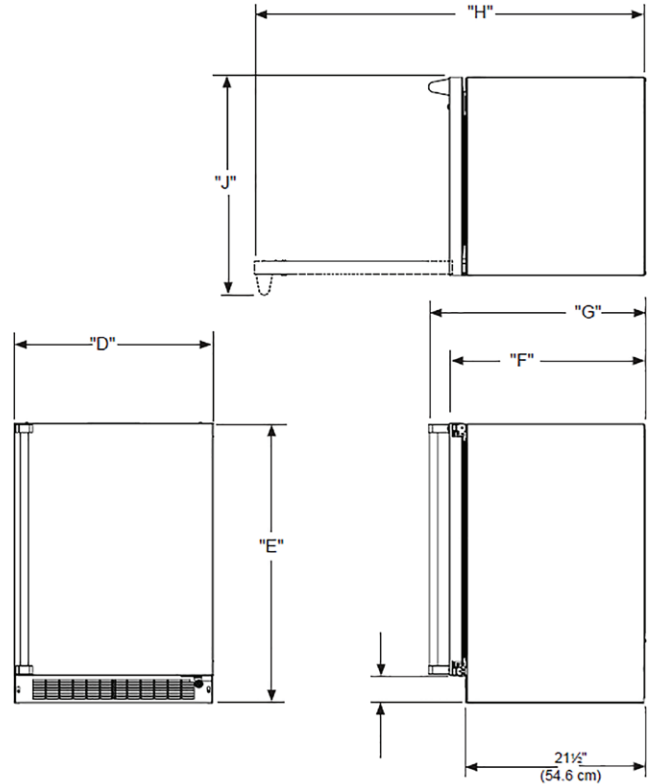
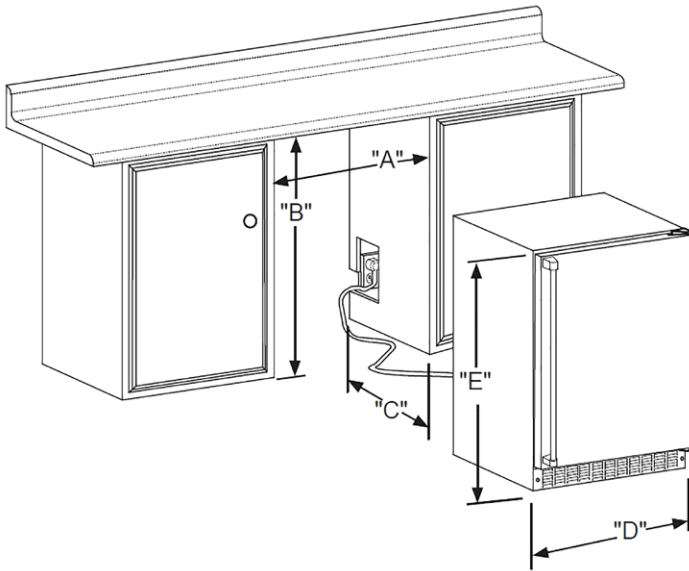
\*Must order tap kit separately.





\*Tap kit sold separately. See accessories to order.

H: 33 3/4" W: 23 7/8" D: 26 7/32" (with handle)



**Rough In Dimensions**

"A"	"B"	"C"
24"	34-1/4" to 35-1/4"	24"
(61 CM)	(87 CM to 89.5 CM)	(61 CM)

**Cabinet Dimensions**

"D"	"E"	"F"	"G"	"H"	"J"
23-7/8"	33-5/8" TO 34-5/8"	23-5/8"	26-1/8"	47-3/4"	26-1/2"
(60.7 CM)	(85.4 CM TO 87.9 CM)	(60 CM)	(66.3 CM)	(146.6 CM)	(67.3 CM)

<b>Capacity</b>	5.7 CU. FT.
<b>Control Type</b>	Electronic
<b>Sabbath Mode</b>	Yes
<b>Temperature Range</b>	34° F to 60° F
<b>Handle Style</b>	Professional
<b>Door Swing</b>	Reversible
<b>Interior Lighting</b>	White LED
<b>Shelving System</b>	Stow-on-Board Shelves
<b>Toe Grille Finish</b>	Stainless Steel

<b>Lock</b>	Yes
<b>Electrical Requirements</b>	115V / 60 Hz / 15A
<b>Cord Length</b>	6 FT.
<b>Shipping Dimensions</b>	28" W x 31" D x 37" H
<b>Shipping Weight</b>	160 LBS
<b>Agency Approval</b>	UL
<b>Refrigerant Type</b>	R600a

For comprehensive installation instructions, please visit [marvelrefrigeration.com](http://marvelrefrigeration.com) to access the owner's guide.

