

# 825 Monét

Oval, Vitreous China, Above Counter Vessel



## Features

---

- 17" x 14" Above counter vessel
- 14-1/2" x 11-1/2" basin
- The Mansfield® limited lifetime warranty
- Available in White and Standard Colors: Biscuit and Bone



Model 825  
(Less faucet, drain  
assembly and supply)

## Components

---

Model #	Description
825	Oval, above counter vessel. Less faucet, drain assembly and supply. Specify color.



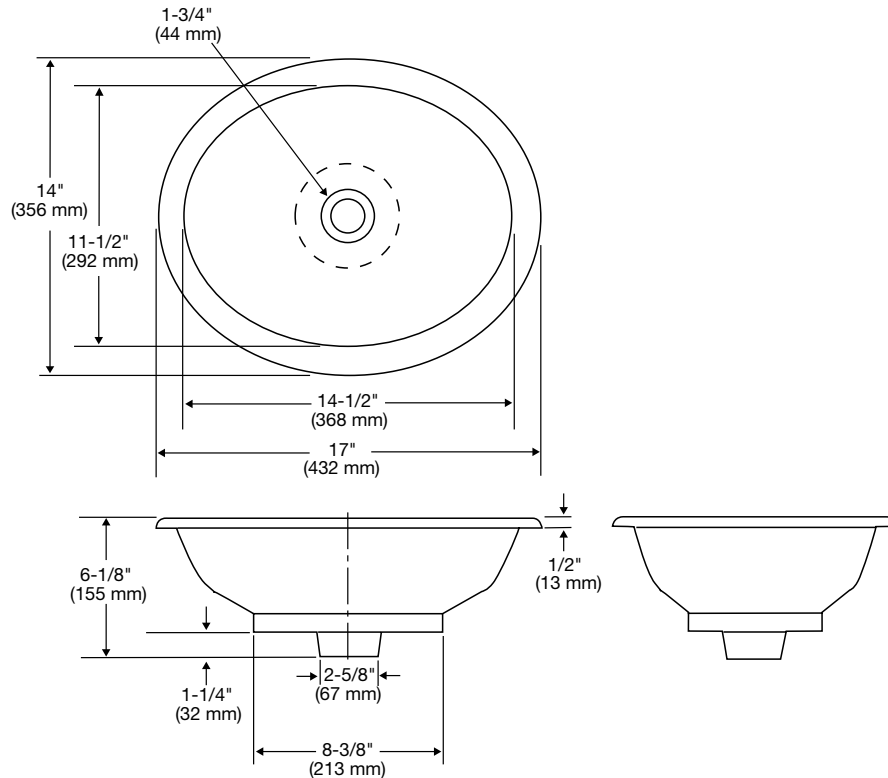
**MADE IN USA**

## Specifications

Model #	Description
825	17" x 14" Oval, above counter vessel

Specification	Description	Specification	Description
Material	Vitreous China	Shipping Weight	12 lbs. (5 kg)
Warranty	Vitreous China - Limited Lifetime		

## Technical Information



See our complete line of acrylic and vitreous china bathroom fixtures, plastic tank trim and plumbing products.

These dimensions are nominal and subject to change without notice.

Fixture performance and specifications meet or exceed ASME A112.19.2-2008/CSA B45.1-08 standards, and other state and local codes.



**MADE IN USA**