

384-386 Summit™ ADA

Elongated Front, SmartHeight™, Vitreous China, Two-Piece Toilet



Features

- Elongated front, 16-1/2" SmartHeight™ bowl (ADA compliant)
- 1.6 Gpf / 6.0 Lpf
- SmartFasten™ 3-bolt tank-to-bowl connection
- PuraClean™ easy-to-clean glaze
- Decorative metal trip lever
- High performance MagnaFlush™ flushing technology
- 3" flush valve
- Pilot operated anti-siphon fill valve
- 12" rough-in
- 2" glazed trapway
- The Mansfield® limited lifetime warranty on china; Five-year limited warranty on tank trim
- Available in white and standard colors: biscuit and bone





Model 384-386
Toilet seat not included



*Also available as a complete toilet kit.**

Components

| Model # | Description | Codes/Standards |
|---------|--|---|
| 384-386 | Elongated front, SmartHeight™ two-piece toilet. Less toilet seat and supply. Specify color. |   |
| 384 | Elongated front, SmartHeight™ toilet bowl only. Less toilet seat. Specify color. | |
| 386 | Tank and cover only with left hand, front-mount, chrome-plated, metal trip lever. Less supply. Specify color. | |
| 386RH | Same as 386, with right hand trip lever. | |
| 386LT | Same as 386, with tank liner. | |
| 386FM | Same as 386, with Fluidmaster pilot valve. | |
| 386FMRH | Same as 386, with Fluidmaster pilot valve and right hand trip lever. | |
| *384CTK | Elongated front, SmartHeight™ complete toilet kit. Includes slow close toilet seat, tank and bowl, flange bolts, wax ring with polyethylene flange and instructions. | |



MADE IN USA


384-386

Summit™ ADA

Elongated Front, SmartHeight™, Vitreous China, Two-Piece Toilet

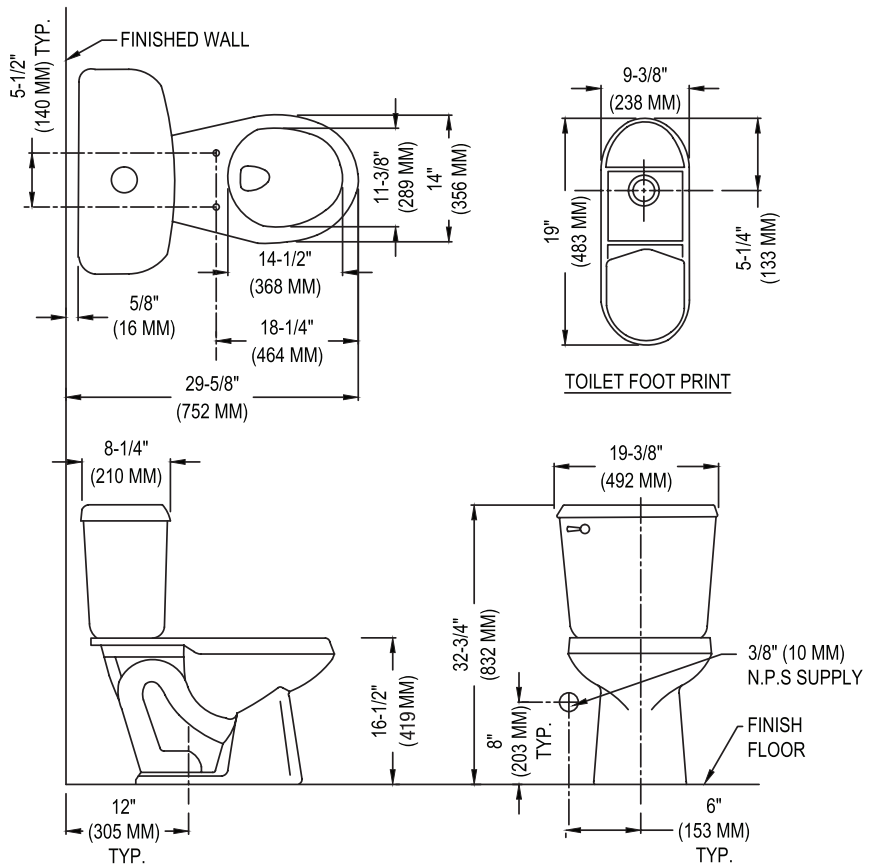


Specifications

| Model # | Description | Codes/Standards |
|---------|--|--|
| 384-386 | Elongated front, SmartHeight™ (1.6 Gpf / 6.0 Lpf) two-piece, toilet. | ADA  |

| Specification | Description | Specification | Description |
|----------------------|--|------------------------|--|
| Material | Vitreous china | Trap Diameter | 2" |
| Water Pressure Range | 20 to 80 PSI | Trap Seal | 2-3/8" |
| MaP Rating | 1000 grams | Rough-in | 12" |
| Water Usage | 1.6 Gpf / 6.0 Lpf | Shipping Weight | Model 384 - 54 lbs |
| Water Surface Area | 9" X 10" | | Model 386 - 36 lbs. |
| | | Model 384CTK - 95 lbs. | |
| Flush System | 3" flush valve - MagnaFlush™ Flushing Technology | Warranty | Vitreous China - Limited Lifetime Tank Trim - Limited Five Year |

Technical Information



See our complete line of acrylic and vitreous china bathroom fixtures, plastic tank trim and plumbing products.

These dimensions are nominal and subject to change without notice.

Fixture performance and specifications meet or exceed ASME A112.19.2-2008/CSA B45.1-08 standards, and other state and local codes.



MADE IN USA