

PRODUCT SPECIFICATIONS  
**WR1500L02 Wood Stove**



**OVER-ALL DIMENSIONS**

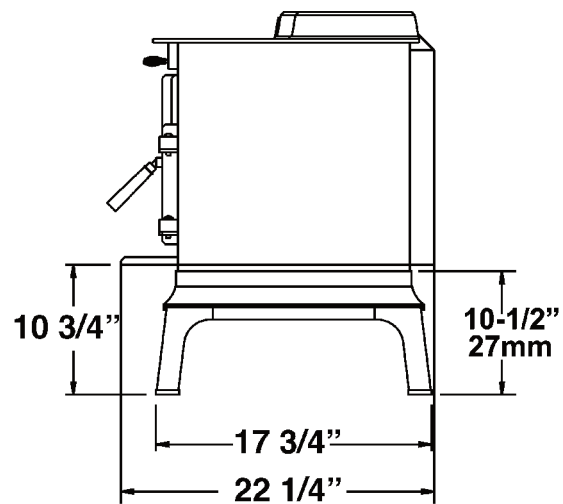
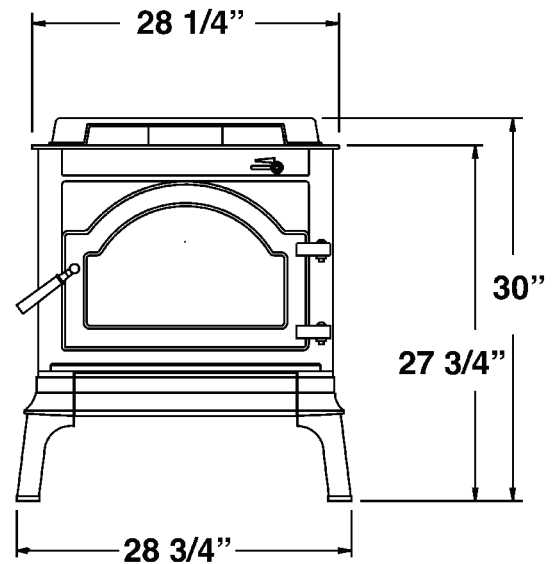
Unit Height: 30"  
 Unit Width: 28-1/4"  
 Unit Depth: 22-1/4"

**TECHNICAL INFORMATION**

Heat Capacity sq. ft.: up to 1,500  
 Heat Output: 29,300 BTU/hr.  
 Avg. Efficiency: 63.0%  
 Avg. Emissions: 4.4 g/hr.  
 Firebox Vol. cu. ft.: 2.0  
 Log Length: 22"  
 Product Weight lbs.: 385lbs.  
 Shipping Weight lbs.: 395lbs.  
 Ash Drawer: Yes  
 Clearances:  
 Back: 7"  
 Corner: 4"

**FIELD INSTALLED ACCESSORIES**

Style and performance - heavy 5/16" thick top  
 Firebrick firebox lining  
 Cast-iron door, air hood, ash lip, and base elements  
 Three sizes with your choice of legs or pedestal  
 All Cast-Steel models include convenient ash drawer  
 All cast iron components are made in our Vermont foundry  
 Brushed Nickel handle to match today's interior finishes  
 Convective side panels reduce size clearances



A Brand of Monessen Hearth Systems Co.  
 149 Cleveland Drive, Paris, Kentucky 40361  
[www.majesticproducts.com](http://www.majesticproducts.com)



To avoid personal injury or property damage, the product described by this brochure must be installed, operated and maintained in strict compliance with the instructions packaged with the product and all applicable building or fire codes. Contact local building or fire officials about restrictions and installation inspection requirements. All photographs and drawings on this brochure are for illustrative purposes only and are not intended for, nor should they be used as a substitute for the instructions packaged with the unit. Appearance and specifications of the product are subject to change without notice. 02/10