

PRODUCT SPECIFICATIONS
WR1000L02 Wood Stove



OVER-ALL DIMENSIONS

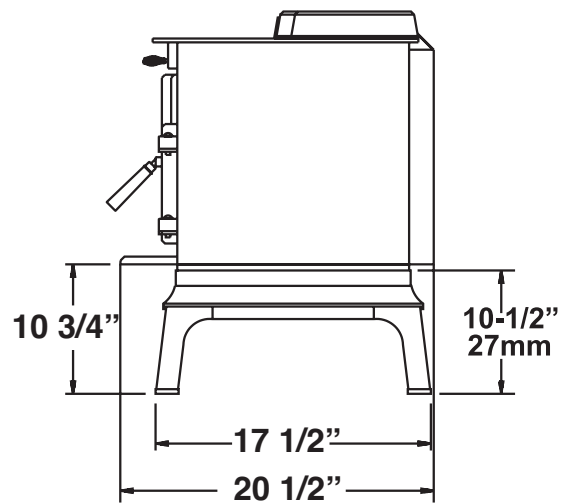
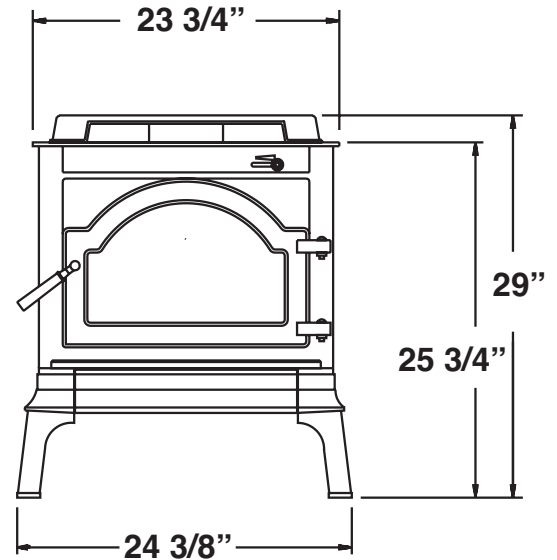
Unit Height: 27"
 Unit Width: 23-3/4"
 Unit Depth: 20-1/2"

TECHNICAL INFORMATION

Heat Capacity sq. ft.: up to 1,000
 Heat Output: 26,100 BTU/hr.
 Avg. Efficiency: 74.5%
 Avg. Emissions: 5.3 g/hr.
 Firebox Vol. cu. ft.: 1.3
 Log Length: 18"
 Product Weight: 222lbs.
 Shipping Weight: 270lbs.
 Ash Drawer: Yes
 Clearances:
 Back: 7"
 Corner: 5-1/2"

FIELD INSTALLED ACCESSORIES

Style and performance - heavy 5/16" thick top
 Firebrick firebox lining
 Cast-iron door, air hood, ash lip, and base elements
 All Cast-Steel models include convenient ash drawer
 All cast iron components are made in our Vermont foundry
 Brushed Nickel handle to match today's interior finishes
 Convective side panels reduce sidel clearances



A Brand of Monessen Hearth Systems Co.
 149 Cleveland Drive, Paris, Kentucky 40361
www.majesticproducts.com



To avoid personal injury or property damage, the product described by this brochure must be installed, operated and maintained in strict compliance with the instructions packaged with the product and all applicable building or fire codes. Contact local building or fire officials about restrictions and installation inspection requirements. All photographs and drawings on this brochure are for illustrative purposes only and are not intended for, nor should they be used as a substitute for the instructions packaged with the unit. Appearance and specifications of the product are subject to change without notice. 02/10