



Electric Fireplace/Insert Model: WEF33, WEF36

INSTALLER / CONSUMER SAFETY INFORMATION

Read these instructions completely before beginning installation. Failure to follow them could cause a heater malfunction resulting in serious injury and/or property damage.



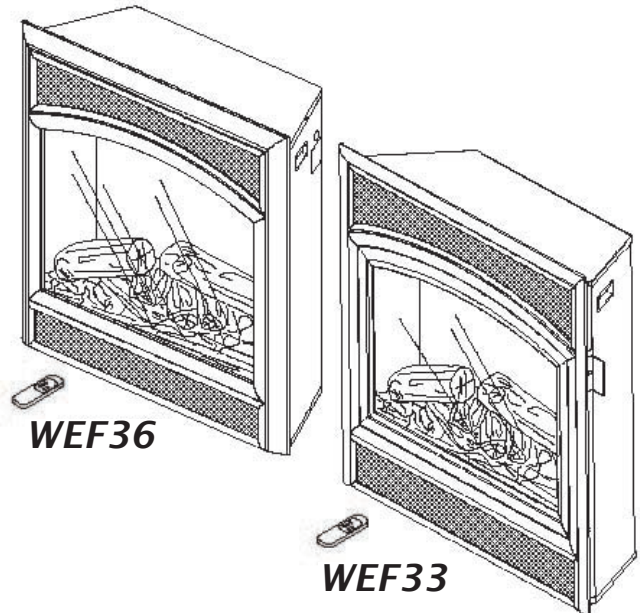
WARNING: All electric heaters have hot and arcing or sparking parts inside. Do not use it in areas where gasoline, paint or flammable liquids are or are stored.

This fireplace meets the construction and safety standards of H.U.D. for application in manufactured homes when installed according to these instructions.

FOR YOUR SAFETY

Service must be performed by a qualified service agency.

DO NOT STORE OR USE GASOLINE OR OTHER FLAMMABLE VAPORS OR LIQUIDS IN THE VICINITY OF THIS OR ANY OTHER APPLIANCE.



Homeowner's Installation and Operating Instructions



C US

INSTALLER: Leave this manual with the appliance.
CONSUMER: Retain this manual for future reference.

Table of Contents

Safety Information	3
Installation Instructions	
Fireplace Dimensions	4
Electrical Specifications	4
Fireplace Parts Identification	4
Locating Your Fireplace	5
Install Fireplace	6
Installing in a Mantel	6
Existing Fireplace Installation	6
New Construction or Renovation.....	6
Framing.....	7
Nailing Flange Installation	7
WEF33, WEF36 120V AC Installation.....	8
WEF36 240V AC Installation.....	8
Finishing	8
Operation	9
Cleaning & Maintenance	
Cleaning Firebox	10
Replacing Log	10
Replacing Ember Strip	10
Replacing Heater/Blower	11
Electrical Wiring Diagram – WEF33	12
Electrical Wiring Diagram – WEF36	13
Replacing Transformer	14
Replacing Main Control Board	14
Replacing Backlight LED Strip	14
Replacing Settings Control Board	14
Replacing Flame Generation LED	15
Cleaning or Replacing Back Screen (Glass)	15
Troubleshooting	16
Replacement Parts	17
Warranty	19

Thank you and congratulations on your purchase of an MHSC electric fireplace.

IMPORTANT: Read all instructions and warnings carefully before starting installation. Failure to follow these instructions may result in a possible electric shock, fire hazard and will void the warranty.

**Please Read the Installation & Operating Instructions
Before Using This Appliance**

Safety Information

When using electric heaters, basic precautions should always be followed to reduce the risk of fire, electric shock and injury to person, including the following:

1. Read all instructions before using this appliance.
2. Keep combustible materials, such as furniture, pillows, bedding, papers, clothes and curtains away from front of heater.
3. This heater is hot when in use. To avoid burns, do not allow bare skin to touch hot surfaces. The grille directly in front of heater outlet becomes hot during heater operation.
4. Extreme caution is necessary when any heater is used by or near children or invalids and whenever heater is left operating and unattended.
5. Always unplug heater when not in use.
6. Do not operate any heater with a damaged cord or plug or if heater malfunctions or has been dropped or damaged in any way. Return heater to authorized service facility for examination, electrical or mechanical adjustment or repair.
7. Do not use outdoors.
8. This heater is not intended for use in bathrooms, laundry areas and similar indoor locations. Never locate heater where it may fall into a bathtub or other water container.
9. Do not run cord under carpeting. Do not cover cord with throw rugs, runners or the like. Arrange cord away from traffic area and where it will not be tripped over.
10. To disconnect heater, turn controls to OFF before removing plug from outlet.
11. Do not insert or allow foreign objects to enter any ventilation or exhaust opening as this may cause an electric shock or fire or damage the heater.
12. To prevent possible fire, do not block air intakes in any manner. Do not use on soft surfaces, like a bed, where openings may become blocked.
13. Always use properly grounded, fused and polarized outlets.
14. A heater has hot and arcing or sparking parts inside. Do not use it in areas where gasoline, paint or flammable liquids or vapors are used or stored.
15. Use this heater only as described in this manual. Any other use not recommended by the manufacturer may cause fire, electric shock or injury to persons.
16. Avoid the use of an extension cord because the extension cord may overheat and cause a risk of fire. However, if you have to use an extension cord, the cord should be No. 14AWG minimum size and rated not less than 1875 watts.
17. Always use ground fault protection where required by electrical codes.
18. Always disconnect power before performing any cleaning, maintenance or relocation of heater.
19. To prevent a possible fire, do not burn wood or other materials in this heater.
20. To prevent electric shock or fire, always use a certified electrician should new circuits or outlets be required.
21. When transporting or storing heater, keep in a dry place.
22. Control panel door gets hot during heater operation. Open door by pressing on right corner. A spring magnet will disengage. Pull door down to open.

This heater has been tested in accordance with the CSA Standards for fixed and location-dedicated electric room heaters in the United States. All components are UL or CSA safety certified.



WARNING: Improper installation, adjustment, alteration, service or maintenance can cause injury or property damage. Refer to this manual. For assistance or additional information, consult a qualified installer.



CAUTION: Do not expose the heater to the elements (such as rain, etc.).

— Do not place clothing or other flammable material on or near firebox. Never place any objects on the fireplace.

— Carefully supervise young children when they are in the room with the fireplace.

— Fireplace becomes very hot when running. Keep children and adults away from hot surfaces to avoid burns or clothing ignition. Fireplace will remain hot for a time after shutdown. Allow surfaces to cool before touching.

— Do not install fireplace directly on carpet or similar surface which may restrict air circulation beneath unit.

NOTE: This heater must be electrically wired and grounded in accordance with local codes or, in the absence of local codes, with National Electric Code ANSI/NFPA 70-latest edition or the Canadian Electric Code, CSA C22.1 as appropriate.

Save These Instructions

Installation Instructions

• WEF Fireplace Dimensions

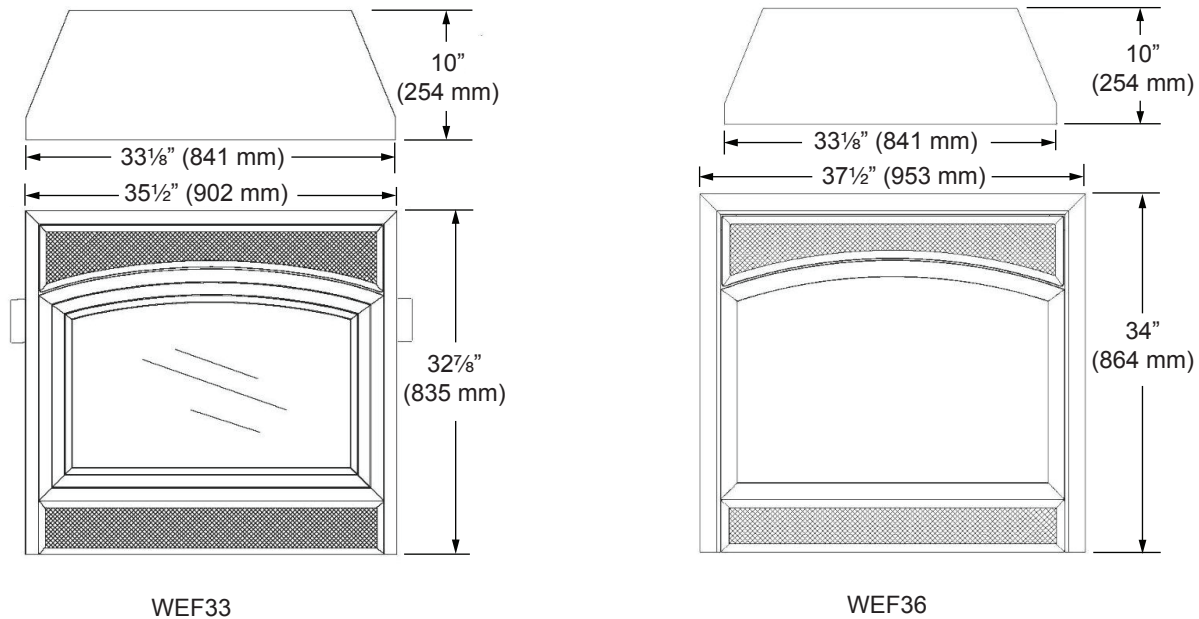


Figure 1

Electrical Specifications		
	WEF33	WEF36
Voltage	120V AC, 60 Hz	120/240V AC, 60 Hz
Total Amps	15	15 / 20
Total Watts	1500	1500 / 3000
Heater Rating	1400 Watts	2800 Watts

NOTE: This heater must be electrically wired and grounded in accordance with local codes or, in the absence of local codes, with National Electric Code ANSI/NFPA 70-latest edition or the Canadian Electric Code, CSA C22.1 as appropriate.

• WEF Fireplace Parts Identification

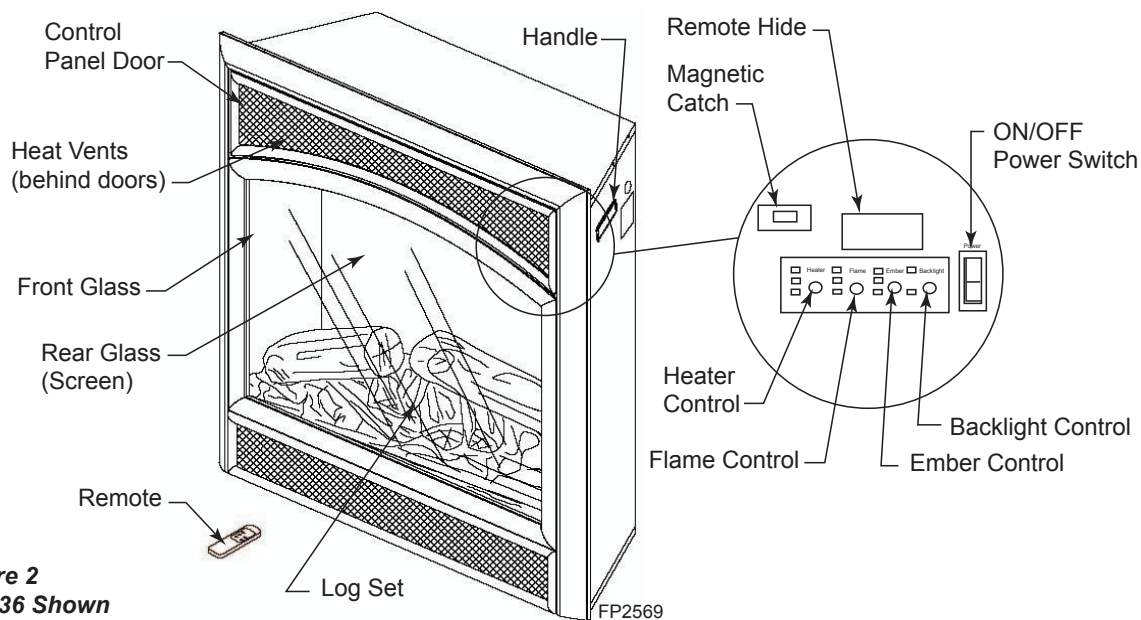


Figure 2
WEF36 Shown

● Unpacking and Testing

WEF33

Carefully remove unit from box. Prior to permanently installing unit, test to make sure unit operates properly. To do this, plug unit's power cord into a conveniently located 120 Volt grounded outlet.

WEF36

Carefully remove unit from box. Prior to permanently installing unit, test to make sure unit operates properly. Unit does not come with the power cord installed. Unit must be hard-wired to either a 120/60 or 240/60 volt supply.

● Locating Your Fireplace

This electric fireplace can be installed in a mantel, framed into a wall or installed into an existing fireplace. If installing into a mantel, follow mantel's assembly instructions. *Figure 3* illustrates a variety of ways the heater may be located in a room. The heater may be installed directly on the floor or raised on a hearth.

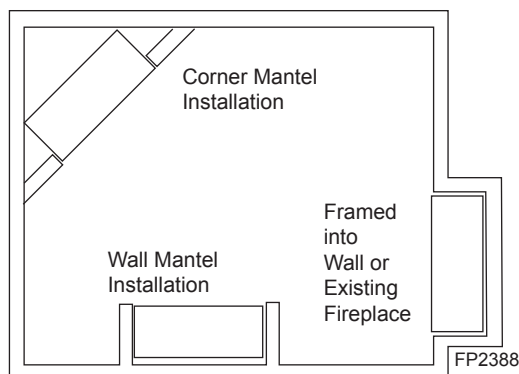






Figure 3


 **CAUTION:** The unit's power supply cord must be connected to a properly grounded and protected 120 Volt outlet. Always use ground fault protection where required by the electrical code.


 **WARNING:** Do not operate the unit if it is damaged or has malfunctioned. If you suspect the unit is damaged, return the unit to an authorized service facility for examination, electrical or mechanical adjustment or repair.

 **WARNING:** Due to high temperatures, this heater should be located out of traffic. Keep combustible materials such as furniture, pillows, bedding, papers, clothes and curtains at least 3 feet (914 mm) from the front of the heater.

 **WARNING:** Never locate this heater where it may fall into a bathtub or other water container.

NOTICE: Minimum and maximum clearances must be maintained at all times. Illustrations throughout these instructions reflect typical installation and are for design purposes only. Actual installations may vary slightly due to individual preferences.

 **WARNING:** To prevent contact with sagging or loose insulation, the heater must not be installed against vapor barrier or exposed insulation. Localized overheating could occur and a fire could result.

 **CAUTION:** Do not expose the heater to the elements (such as rain, etc.)

 **CAUTION:** Wear gloves and safety glasses for protection during installation and maintenance.

● Install Fireplace

Select a suitable location that is not susceptible to moisture and is a safe distance from drapes, furniture and high traffic areas.

NOTE: Follow all national and local electrical codes. This insert can be installed into either an existing fireplace or as a new construction/renovation.

● Installing in a Mantel

1. Assemble mantel according to mantel instructions.
2. Locate mantel near a wall (or corner depending on mantel type) close to a power source. You may have to alter base boards to fit mantel flush against wall.
3. Insert fireplace into front of mantel. Be careful not to scratch finish on base. Fireplace will fit flush against front of mantel.
4. Plug fireplace into power source. Push mantel with fireplace into final location.

● Existing Fireplace Installation

1. Thoroughly clean out existing fireplace and hearth area.
2. Seal all drafts, vents or ash clean-outs with fiberglass insulation. Seal flue. Once sealed, close damper to stop debris from falling onto unit.
3. If existing firebox is susceptible to moisture, cap top of chimney flue to prevent infiltration of water.

NOTE: It is strongly advised that you hire a qualified professional to undertake this step in order to prevent personal injury. Once flue is capped, chimney is no longer suitable for wood burning.

NOTE: Do not install this unit into a fireplace that is prone to dampness; the area of installation must be dry.

4. Plan the power supply. If an existing grounded outlet is near fireplace, power cord can run along front of fireplace. If cord is not long enough to reach outlet, a grounded extension cord minimum 14 AWG and rated to a minimum of 1875 watts, may be used. If you plan to cut or drill a hole in existing fireplace for wiring, it is best to hire a professional to do this step in order to prevent personal injury. To reduce the risk of fire, do not run power cord under rugs, carpets, etc. Arrange power supply cord away from high traffic areas where it may pose a tripping hazard.

● New Construction or Renovation

1. Select a location away from combustible materials such as curtains or drapes, furniture, bedding, paper, etc.
2. Mark desired location on floor and store unit in a safe, dry and dust free location.
3. Frame in an opening leaving at least 1/4" (6 mm) around the edge of the unit (refer to Framing). Any new wiring must be done in compliance with local and national codes and other applicable regulations in order to reduce the risk of fire, electric shock or other injuries. Therefore, it is strongly recommended that you hire a professional to complete any such work.
4. Plan your power supply route. Refer to Step 4 Existing Fireplace Installation.



WARNING - RISK OF FIRE! The power cord must not be pinched or against a sharp edge. Secure cord to avoid tripping or snagging to reduce the risk of fire, electric shock or personal injury.

— Do not run cord under carpeting. Do not cover cord with throw rugs, runners or the like. Arrange cord away from traffic areas and where it will not be tripped over.



WARNING - RISK OF FIRE! To prevent a possible fire, do not block air intake or exhaust in any manner. Do not use on soft surfaces where openings may become blocked.



WARNING - RISK OF FIRE! Do not blow or place insulation against the firebox.



WARNING: If the information in these instructions is not followed exactly, a fire or explosion may result causing property damage, personal injury or death.

— Do not store or use gasoline or other flammable vapors in the vicinity of this or any other heater.



WARNING: The solid fuel/gas fireplace has been converted for use with an electric insert and cannot be used for original fuels unless all original parts have been replaced and the fireplace has been reapproved by the authority having jurisdiction.

● Framing

Figure 4 shows a typical framing of the heater using combustible materials. All required clearances to combustibles must be adhered to. Header height is measured from the base of the heater.

Tools and building supplies required for installation:

- Saw
- Pliers
- Hammer
- Philips screwdriver
- Framing materials
- Tape measure
- Wall-finishing materials
- Caulking material
- Square
- Gloves
- Level
- Surround
- Electric drill/bits



CAUTION: Provide adequate clearances around the air openings and adequate accessibility clearances for servicing and proper operations.

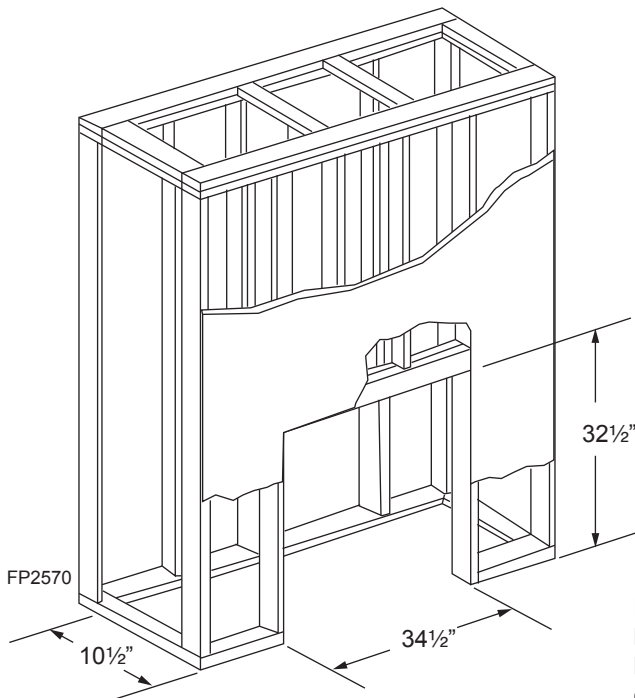
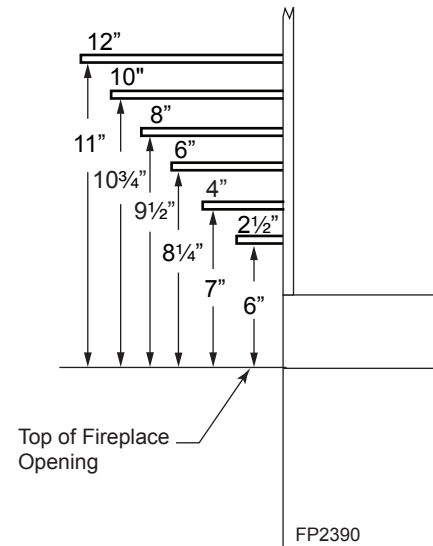


Figure 4



NOTE: The height that a combustible mantel is fitted above the heater is dependent on the height of the front selected. The minimum height is 1" above the front.

● Nailing Flange Installation

1. The fireplace has an adjustable nailing flange that will accommodate wall installations from 1/2" to 1 1/2" thick.
2. Secure the nailing flange to the framing member. It is recommended to remove the front face of the fireplace when nailing the flange to the wall. Refer to the cleaning and maintenance section.
3. The nailing flange can be adjusted front to back by loosening the screw that secures the nailing flange to the fireplace. Do not remove the screw completely.

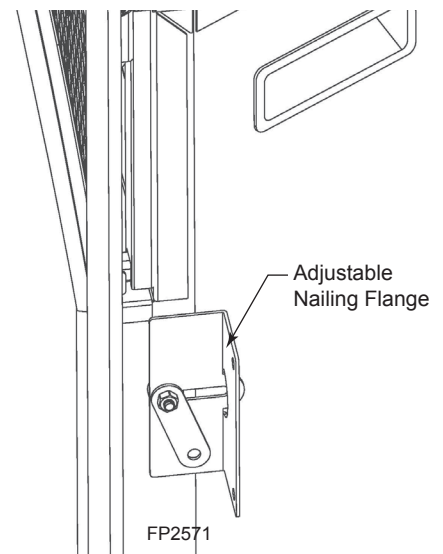


Figure 5

● WEF33 and WEF36 – 120V AC Installation

Once the site has been prepared, your fireplace can be installed.

1. Make sure power switch is in the OFF position.
2. Plug fireplace into a 15-amp/120 Volt, grounded outlet. For WEF36, you will need to purchase WEFCORD and connect to the wiring as a 120 volt AC, before plugging into a 15 amp/120 volt, grounded outlet.
3. Push fireplace insert so trim is against finished mantel or wall surface.

● WEF36 – 240V AC Installation

1. Loosen the screw securing the junction box cover and remove cover.
2. Complete the wiring following the wiring diagram on the box or in the homeowner's manual.
3. Make sure this wiring has a dedicated 20 amp fuse.
4. Place all connectors inside the fireplace and replace junction box cover.

● Finishing

Combustible Finishing Material - Materials made of or surfaced with wood, compressed paper, plant fibers, plastics or any material capable of igniting and burning, whether flame proofed or not, plastered or unplastered (this includes drywall).

Noncombustible Finishing Material - Materials which will not ignite and burn. Such materials are those consisting entirely of steel, iron, brick, tile, concrete, slate, glass or plasters or combinations thereof or have a fire rating of zero.

● Finishing Checklist

Power supply service must be completed prior to finishing to avoid reconstruction.

Grilles and air openings cannot be covered under any circumstances.

NOTE: The heater is a zero clearance fireplace and may be finished with combustible or noncombustible finishing materials.

When using paint or lacquer to finish the mantel, they must be heat resistant to prevent discoloration.



WARNING: Control panel door on this heater cannot, in any way, be covered as it may create a fire hazard.

Operation

The controls are located behind the hinged control panel door. If using heater, control panel door will be hot during and immediately after operation. Open door by pressing on right side. A spring magnet will push door forward. Pull door down to open.

1. Plug in electric fireplace or if hard-wired to 240V AC, turn switch on.
2. Turn on lighted power switch. *Figure 6*
3. Adjust Flame/Ember/Backlight/Heater to desired settings using the control pad on fireplace (*Figure 6*) or remote control. *Figure 7*. *Figure 8* shows fireplace settings available. Default settings are circled. Press control pad or remote control buttons once and release to adjust settings.

NOTE: When on, ember bed will lighten and darken automatically to simulate real embers.

The heater is pre-set to the following temperatures.

- High will shut off when room reaches approximately 86°F (30°C).
- Medium will shut off when room reaches approximately 79°F (26°C).
- Low will shut off when room reaches approximately 72°F (22°C).

NOTE: Fan on heater will continue to run for 5-7 seconds after heater has been turned off.

4. When using remote control, aim remote at sensor located in center of unit just above the log set. **IMPORTANT:** This remote control must remain within 20 feet (6 m) of fireplace to be effective.
5. When power switch is turned off, fireplace settings go back to default. *Figure 8*

Figure 6

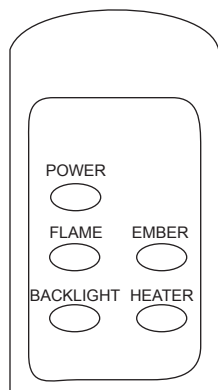
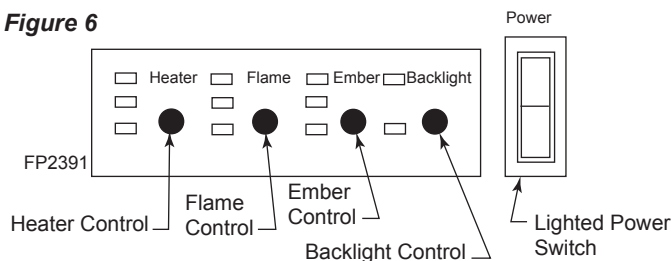


Figure 7

Fireplace Settings (Default settings are circled)

HEATER	Off	Low	Medium	High
FLAME	Off	Low	Medium	High
EMBER	Off	Low	Medium	High
BACKLIGHT	Off	Low		High

Figure 8

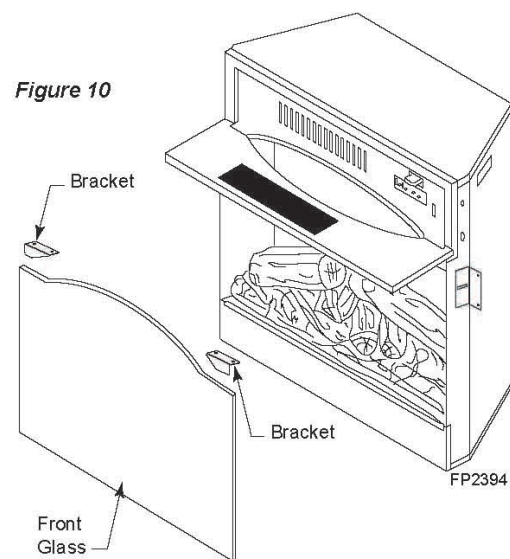
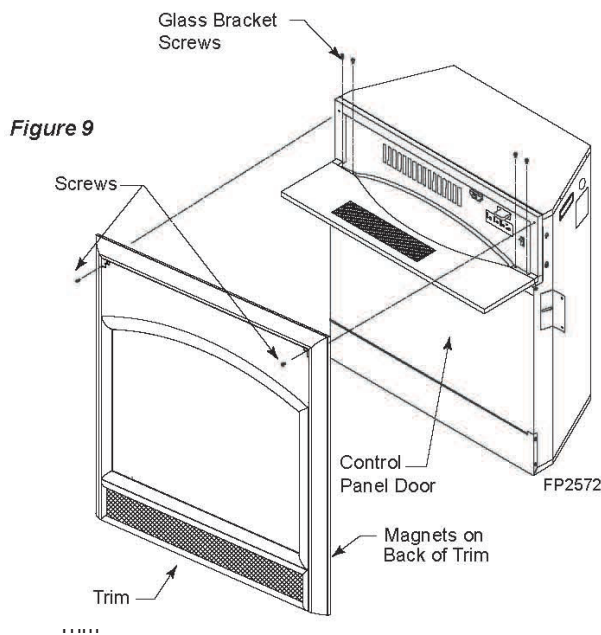
Cleaning & Maintenance

To service electric fireplace, it may be necessary to remove it from the mantel or enclosure in which it is installed. Allow unit to cool completely before cleaning or servicing.

● Cleaning Firebox

1. Open control panel door by pressing on right side. a spring magnet will push door forward. Pull door down to open.
2. Remove two (2) screws holding front trim in place. Pull gently to remove trim. *Figure 9*. There are magnets on the lower portion of trim. *Figure 9*
3. With gloves and safety glasses in place, remove four (4) screws from glass re- tainer brackets. *Figure 9*
4. Carefully remove front glass and brackets. *Figure 10*
5. Using a brush vacuum attachment, gently clean compartment.
6. After cleaning compartment, replace front glass, brackets and trim.

WARNING: Always disconnect power and allow the heater to cool before performing any cleaning, maintenance or relocation of this heater. Turn controls to OFF and remove plug from outlet or turn off circuit breaker to heater.

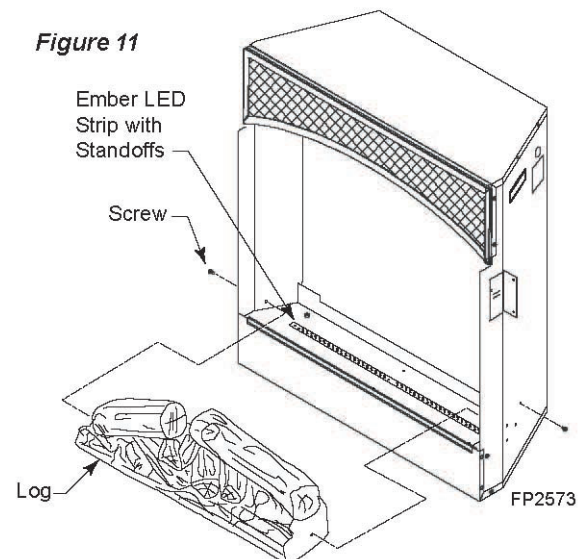


● Replacing Log

1. Follow Steps 1 through 4 of 'Cleaning Firebox'.
2. Remove screws from each side of log securing log to sides and remove log. *Figure 11*
3. Install new log using screws removed in Step 2.
4. Replace front glass and brackets.
5. Replace trim.

● Replacing Ember Strip

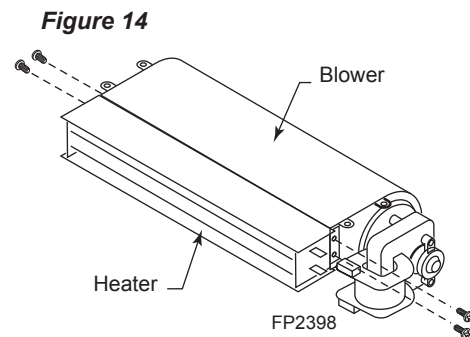
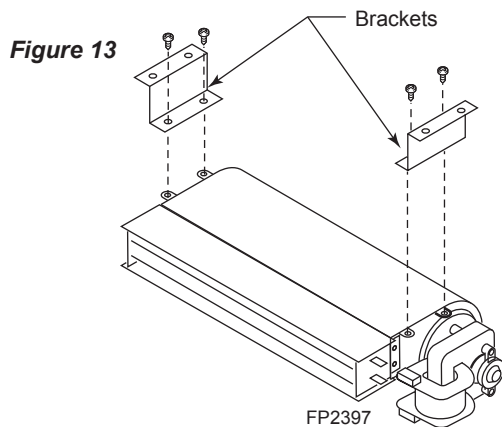
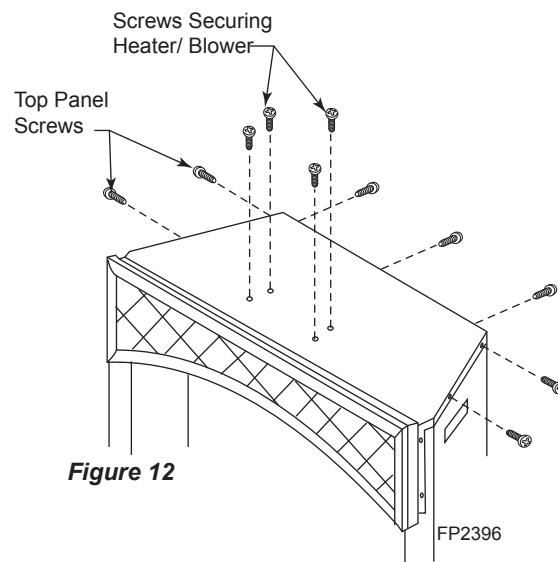
1. Follow Steps 1 and 2 of 'Replacing Log'.
2. Locate ember LED strip, *Figure 11*. Disconnect wire (right side).
3. Remove ember LED strip by squeezing top of standoffs and discard.
4. Connect new ember LED strip using existing standoffs.
5. Reconnect wire to LED strip.



6. Follow Steps 3 through 5 of 'Replacing Log'.

● Replacing Heater/Blower

1. Follow Steps 1 through 4 of 'Cleaning Firebox'.
2. Remove screws from around top panel of firebox. *Figure 12*
3. There are several wires attached to the top panel. Carefully lift top panel.
4. Disconnect heater/blower wires from main circuit board.
5. Remove screws holding heater/blower to top panel. *Figure 12*
6. Remove brackets from heater/blower. *Figure 13*. Save brackets and screws.
7. To remove heater from blower, remove four (4) screws (2 per side).
8. If replacing blower, remove screws from brackets on blower. *Figure 13*. Install brackets to new blower.
9. Replace blower or heater. Replace screws removed in Step 7.
10. Hold heater/blower with brackets in place against top panel and replace screws removed in Step 5.
11. Reconnect wires to main circuit board. *Figure 15 or 16*
12. Replace glass with brackets and top panel.
13. Replace trim.



● Electrical Wiring Diagram – WEF33

Any electrical repairs or rewiring of this unit should be carried out by a licensed electrician in accordance with national and local codes.

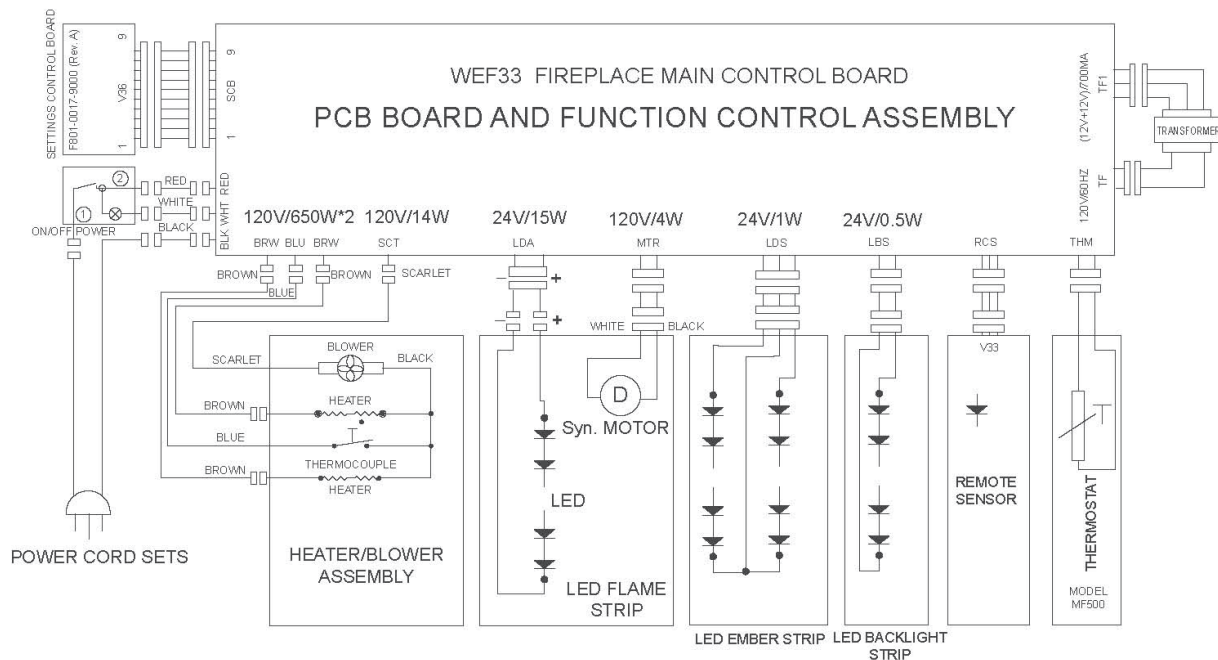


Figure 15
WEF33 Wiring Diagram

WARNING: Disconnect Power Before Servicing



If repairing or replacing any electrical component or wiring, the original wire routing, color coding and securing locations must be followed.



Any electrical re-wiring of this appliance must be done by a qualified electrician. This wiring must be done in accordance with local codes and/or in Canada with the current CSA C22.1 Canadian Electrical Code, and for US installations, the National Electrical Code ANSI/NFPA NO 70.

● Electrical Wiring Diagram – WEF36

Any electrical repairs or rewiring of this unit should be carried out by a licensed electrician in accordance with national and local codes.

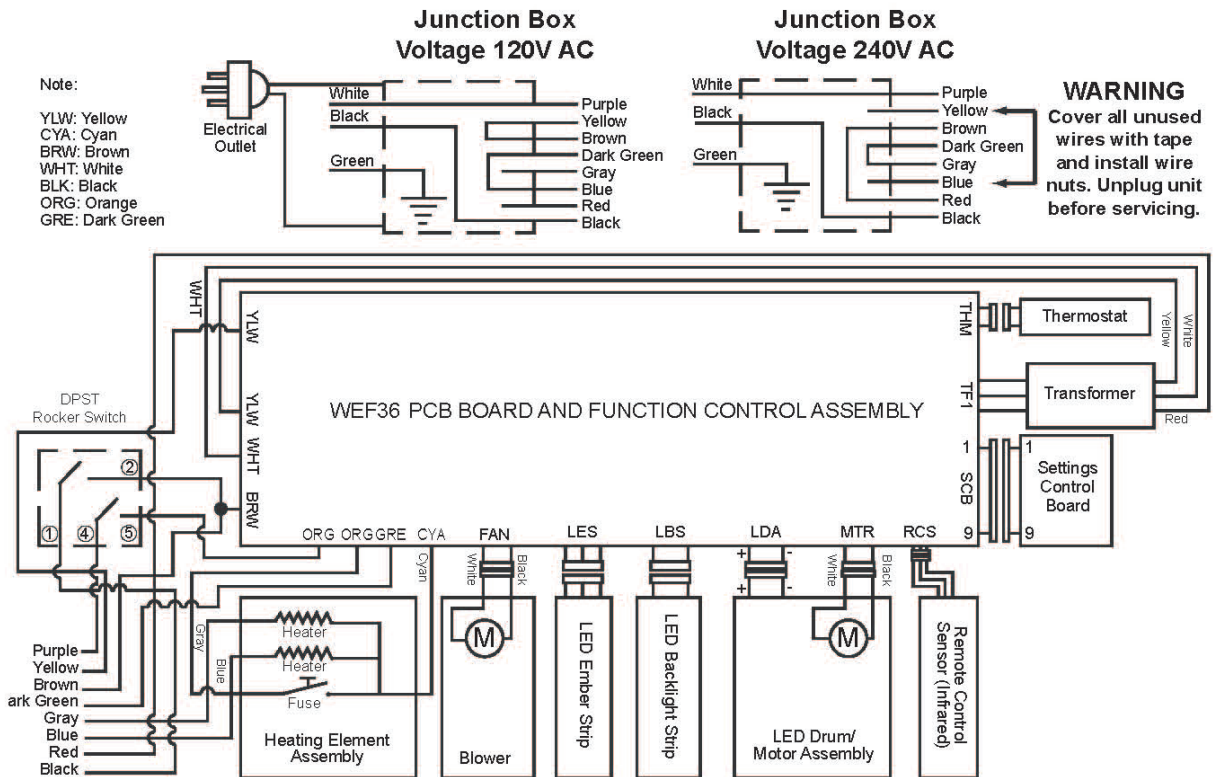


Figure 16
WEF36 Wiring Diagram

WARNING: Disconnect Power Before Servicing



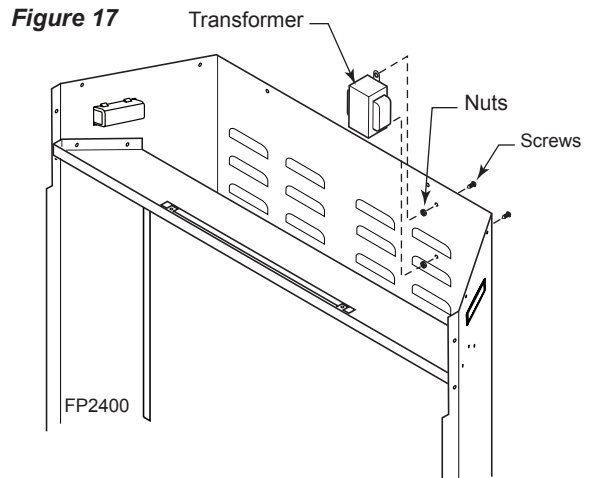
If repairing or replacing any electrical component or wiring, the original wire routing, color coding and securing locations must be followed.



Any electrical re-wiring of this appliance must be done by a qualified electrician. This wiring must be done in accordance with local codes and/or in Canada with the current CSA C22.1 Canadian Electrical Code, and for US installations, the National Electrical Code ANSI/NFPA NO 70.

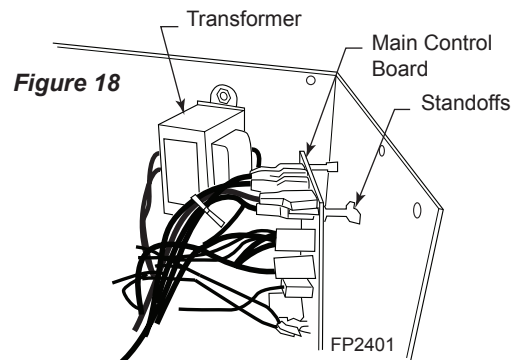
● Replacing Transformer

1. Follow Steps 1 through 3 in 'Replacing Heater/Blower'.
2. Disconnect transformer wires from control board.
3. Remove screws and nuts from firebox surround to remove transformer. *Figure 17*
4. Remove and discard transformer.
5. Place new transformer against inside of firebox surround and replace screws and nuts removed in Step 3.
6. Reconnect transformer wires to control board. Refer to Wiring Diagram, *Figure 15 or 16*.
7. Replace glass with brackets, and top panel.
8. Replace trim.



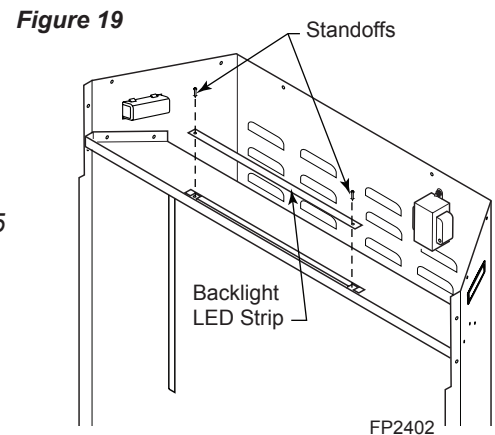
● Replacing Main Control Board

1. Follow Steps 1 through 3 in 'Replacing Heater/Blower'.
2. Disconnect wires to main control board.
3. Squeeze top of standoffs to remove main control board and discard.
4. Gently push new control board onto standoffs to install.
5. Reconnect wires to main control board. Refer to Wiring Diagram, *Figure 15 or 16*.
6. Replace glass with brackets and top panel.
7. Replace trim.



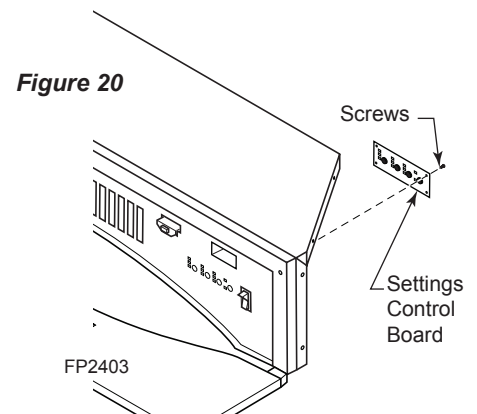
● Replacing Backlight LED Strip

1. Follow Steps 1 and 3 in 'Replacing Heater/Blower'.
2. Disconnect wires from main control board.
3. Squeeze top of standoffs to remove backlight LED strip and discard.
4. Place new backlight LED strip onto standoffs and push gently.
5. Connect wires to main control board. Refer to Wiring Diagram, *Figure 15 or 16*.
6. Replace glass with brackets and top panel.



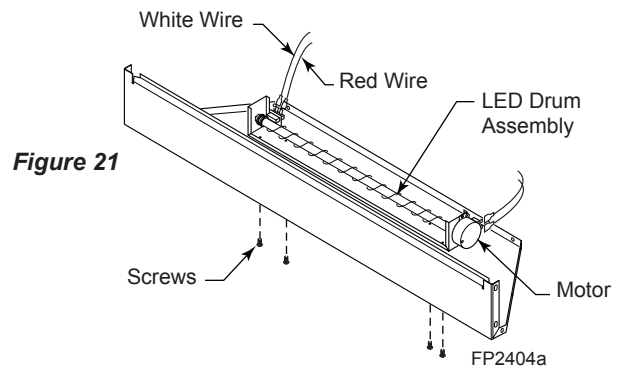
● Replacing Settings Control Board

1. Follow Steps 1 through 3 in 'Replacing Heater/Blower'.
2. Disconnect wires from main control board.
3. Remove screws from bracket to remove settings control board.
4. Place new settings control board into position making sure each control is aligned with slot in panel. Install using screws from Step 3. **DO NOT** overtighten. This will damage control board.
5. Reconnect wires to main control board. Refer to Wiring Diagram, *Figure 15 or 16*.
6. Replace glass with brackets and top panel.
7. Replace trim.



● Replacing Flame Generation LED

1. Follow Steps 1 through 4 in 'Cleaning Firebox'.
2. Remove screws securing log to either side of base. Remove log. *Figure 11*
3. Remove screws from sides and back of bottom panel of firebox.
4. Gently lay unit on its back.
5. There are several wires attached to bottom panel. Carefully remove panel.
6. Disconnect wires from motor and LED drum assembly.
7. Remove screws from bottom panel to remove assembly.
8. Hold LED drum assembly in place on bottom panel and replace screws.
9. Reattach wires to motor and LED drum. **NOTE:** LED drum wires are polarity sensitive and must be connected correctly. White wire plugs onto left terminal and red wire plugs onto right terminal. Motor wires can be connected to either terminal.
10. Replace fireplace bottom panel. Set fireplace upright and replace screws.
11. Replace log, glass and brackets.
12. Reinstall fireplace and replace trim.



● Cleaning or Replacing Rear Glass (Screen)

1. The glass is cleaned in the factory during assembly. During shipment, installation, handling, etc., glass surface may collect dust particles. These can be removed by buffing lightly with a clean damp cloth (water only). Glass should be completely dried with a lint free cloth or paper towel.
2. In the event of glass breakage, vacuum all remaining glass pieces with a shop vac. **DO NOT VACUUM WHILE PIECES ARE HOT.** Replace glass only with replacement part specifically for this heater. Never substitute material. Only fully tempered soda lime safety glass may be used on this heater.
3. To access glass to clean or replace, follow Steps 1 and 7 in 'Replacing Flame Generation LED'. Set aside bottom panel.
4. Using gloves, gently remove glass panel by sliding it toward you. There is a rubber bumper on each corner of glass.
5. Clean glass as instructed in Step 1 or replace glass.
6. Using gloves, reinstall glass by gently sliding, smooth side toward fireplace front, into brackets on either side that hold glass in place.
7. Replace log base.
8. Follow Steps 11 and 14 in 'Replacing Flame Generation LED'.

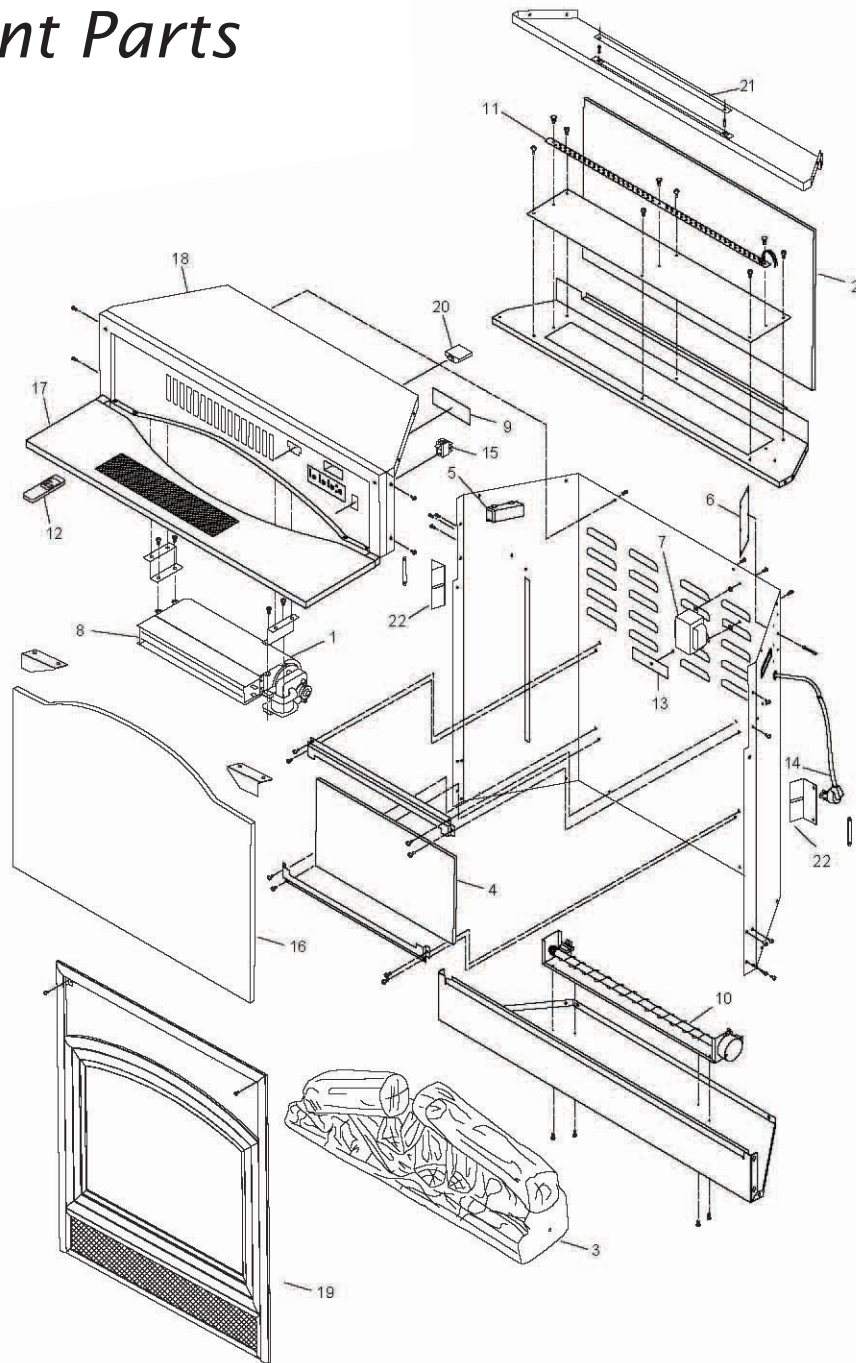
Troubleshooting

Problem	Possible Cause	Solution
1. Fireplace turns off and will not turn on.	1. Fireplace has overheated and safety device has caused thermal switch to disconnect or home circuit breaker has opened.	1. Reset switch by turning main power switch off and waiting 5 minutes then turning it back on or reset circuit breaker.
2. Flame is not moving.	1. Loose wiring. 2. Flame motor defective.	1. Inspect wiring for loose connections. 2. Call a qualified service technician to replace flame motor.
3. Flame is not visible.	1. Wiring is loose.	1. Disconnect from power source and inspect wiring for loose connections and repair or replace if necessary.
4. Log set and/or ember is not glowing.	1. Wiring is loose.	1. Disconnect from power source and inspect wiring for loose connections and repair or replace if necessary.
5. Flame sputters/ flashes.	1. Flame motor is defective. 2. Flame generation contacts dirty/obstructed.	1. Call a qualified service technician to replace flame motor. 2. Disconnect power. Follow steps to replace flame generation LED. Clean contacts with dry cloth.
6. Remote control does not work.	1. Low batteries. 2. Not aiming control correctly. 3. Defective remote control and /or sensor.	1. Replace AAA batteries in remote control. 2. Aim control at sensor located directly behind glass screen in center of unit just above logs. 3. Replace remote control and/or sensor.
7. Fireplace will not come on when switch is flipped to ON.	1. Fireplace is not plugged in to an electrical outlet. 2. Control failure. 3. Breaker tripped.	1. Check plug. 2. Call a qualified service technician. 3. Reset breaker.
8. Heater does not provide heat when turned on.	1. Thermal switch has been tripped. 2. Circuit breaker has been tripped. 3. Wiring is loose. 4. Heater is defective. 5. Thermostat cycled off.	1. Turn unit off and unplug unit for 5 minutes. Plug back in and turn unit on. If plug cannot be reached, follow directions for tripped circuit breaker. 2. Turn off circuit breaker that supplies electricity to unit. Wait 5 minutes then flip circuit breaker back on. 3. Disconnect from power source and inspect wiring for loose connections and repair or replace if necessary. 4. Replace heater. 5. Change to higher setting.



WARNING: Turn off appliance and allow to cool before servicing. Only a qualified service person should service and repair heater.

Replacement Parts



MHSC reserves the right to make changes in design, materials, specifications, prices and discontinue colors and products at any time, without notice.

WEF33, WEF36 Electric Fireplace

Ref.	Description	Qty.	WEF33	WEF36
1.	Blower (Motor and Fan)	1	68D5101	68D5201
2.	Rear Glass (Screen)	1	68D5202	68D5202
3.	Log Set	1	68D5203	68D5203
4.	Flame Effect Mirror	1	68D5204	68D5204
5.	Handles	2	68D5105	68D5105
6.	Main Control Board and Standoffs (5)	1	68D5106	68D5206
7.	Transformer	1	68D5107	68D5207
8.	Heater	1	68D5108	68D5208

WEF33, WEF36 Electric Fireplace

Ref.	Description	Qty.	WEF33	WEF36
9.	Settings Control Board	1	68D5109	68D5109
10.	LED Drum Assembly	1	68D5210	68D5210
11.	LED Ember Strip	1	68D5111	68D5111
12.	Remote Control	1	68D5112	68D5112
13.	Remote Control Sensor	1	68D5113	68D5113
14.	Power Cord	1	68D5114	--
15.	ON/OFF Switch	1	68D5115	68D5212
16.	Front Glass	1	68D5216	68D5216
17.	Control Panel Door (black)	1	68D5217	68D5217
18.	Top (black)	1	68D5218	68D5213
19.	Front Trim	1	68D5219	68D5215
20.	Magnetic Catch	1	68D5120	68D5120
21.	LED Back Light	1	68D5225	68D5225
22.	Nailing Flange Bracket	2	68D5214	68D5220
Parts Available - not shown				
	Wire - LED Drum Motor	1	68D5221	68D5221
	Wire - LED Drum Lighting	1	68D5222	68D5222
	Wire - Ember Bed	1	68D5223	68D5223
	Wire - Back Light	1	68D5224	68D5224
	Thermocouple	1	68D5125	68D5125

WARRANTY

BASIC WARRANTY

MHSC warrants the components and materials in your electric fireplace to be free from manufacturing and material defects for a period of one year from date of installation. After installation, if any of the components manufactured by MHSC in the electric fireplace are found to be defective in materials or workmanship, MHSC will, at its option, replace or repair the defective components at no charge to the original owner. MHSC will also pay for reasonable labor costs incurred in replacing or repairing such components for a period of one year from the date of installation.

Any products presented for warranty repair must be accompanied by a dated proof of purchase.

This warranty will be void if the electric fireplace is not installed by a qualified installer in accordance with the installation instructions. The warranty will also be void if the electric fireplace is not operated and maintained according to the operating instructions supplied with the electric fireplace, and does not extend to 1. damage by accident, neglect, misuse, abuse, alteration, negligence of others, including the installation thereof by unqualified installers 2, the costs of removal, reinstallation or transportation of defective parts on the electric fireplace, or 3. incidental or consequential damage. All service work must be performed by an authorized service representative.

This warranty is expressly in lieu of other warranties, express or implied, including the warranty of merchantability of fitness for purpose and of all other obligations or liabilities. MHSC does not assume for it any other obligations or liability in connection with the sale or use of the electric fireplace. In states that do not allow limitations on how long an implied warranty lasts, or do not allow exclusion of indirect damage, those limitations of exclusions may not apply to you. You may also have additional rights not covered in this warranty.

MHSC reserves the right to investigate any and all claims against the Limited Lifetime Warranty and decide upon method of settlement.

IF WARRANTY SERVICE IS NEEDED...

1. Contact your supplier. Make sure you have your warranty, your sales receipt and the model/serial number of your MHSC product.
2. DO NOT ATTEMPT TO DO ANY SERVICE WORK YOURSELF.

MHSC

149 Cleveland Drive • Paris, Kentucky 40361
www.mhsc.com