

SB50HB Biltmore Radiant Wood Burning Fireplace



INTERIOR DIMENSIONS

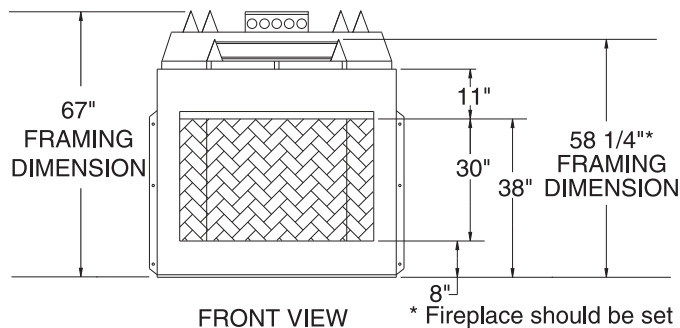
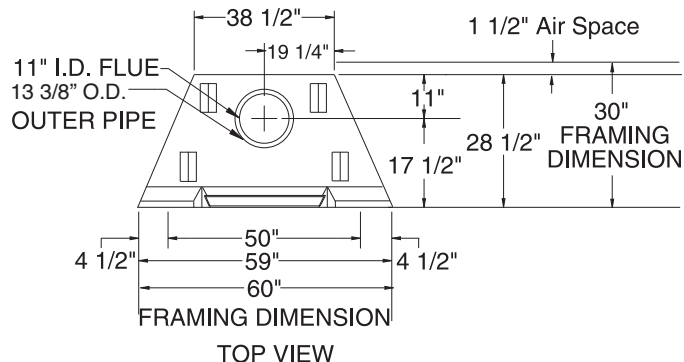
Front opening width: 50"
 Front opening height: 30"
 Rear wall width: 38-1/2"
 Firebox depth: 24"

TECHNICAL INFORMATION

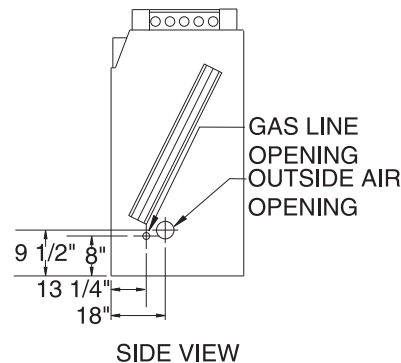
Flue Series (Std.): 11CF Double Wall Chimney
 Flue Size: 11" Inner; 13-3/8" Outer
 Clearance to Flue: 2"
 Firestop Framing: 17-1/2" x 17-1/2"
 Minimum Flue Height: 18'
 Maximum Flue Height: 86'
 Minimum Height with 2 Elbows: 24'
 Minimum Height with 4 Elbows: 30'
 Clearance to Fireplace: 1-1/2"
 Minimum Hearth Size (D x L): 20" x 74"
 OMNI Design Certified

FIELD INSTALLED ACCESSORIES

Glass Door: WSB60B (Polished Brass finish), WSB60 (Black)
 Outside Air Kit: AK4, FP4U, 403
 Terminations (Std.): RLTCF11, RLTCF11L, SLTCF11 & Traditional
 Chase Shrouds



* Fireplace should be set in place before framing 58 1/4" dimension.



Framing dimensions in illustrations accommodate 1/2" finishing material.



Tested & Listed By:



Beaverton Oregon USA

OMNI-Test Laboratories, Inc.

A Brand of Monessen Hearth Systems Co.
 149 Cleveland Drive, Paris, Kentucky 40361
www.majesticproducts.com

