

PRODUCT SPECIFICATIONS
CDVR33(7) Direct Vent Systems



GLASS VIEWING AREA

26-15/16" W x 17-15/16" H (484 Square Inches)

TECHNICAL INFORMATION

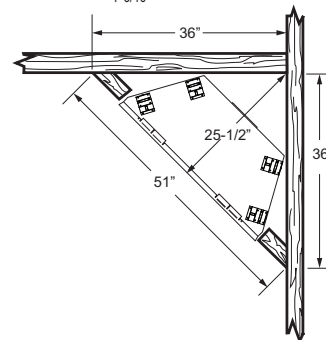
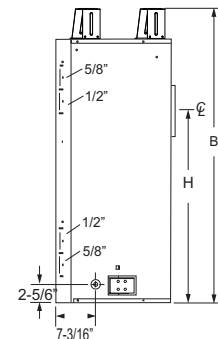
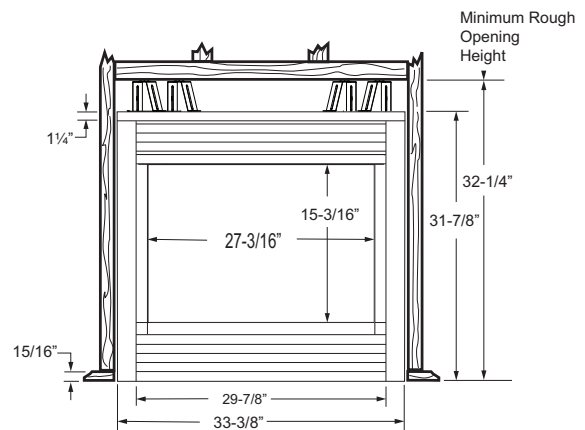
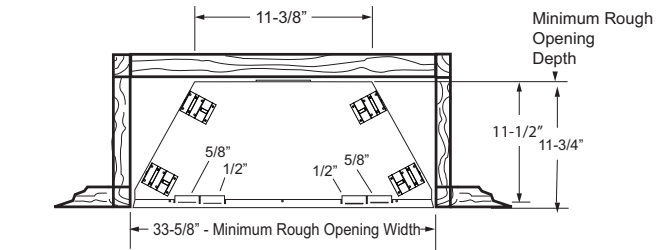
- Max. Btu Input: 18,000 BTU/HR
- Ignition System: Signature Command System
- Gas Type: Natural or LP
- Flue Type: 4" x 7" T-Lock*
- Termination: Rear or Top Vent models
- Clearance to Flue for Interior: 3" Top, 1" Bottom and Sides**
- Clearance to Flue for Outside Wall: 1"
- Clearance to Fireplace: Zero Clearance
- CSA Design Certified

FIELD INSTALLED ACCESSORIES

- Louvers: Polished Brass, Pewter
- Curved Trim: Brass, Pewter, Black
- Medium Trim Kit: Brass, Pewter, Black
- Variable Thermostat Controlled Forced Air Blower (135 cfm) – BLOT
- Tavern Brown firebrick (FBCD33TB)
- Natural Gas Conversion Kit (CDV33CKN)
- LP Gas Conversion Kit (CDV33CKP)
- Ambient Technologies™ Remote Controls and Thermostats
- Wood Cabinet Surrounds
- Designer Facings

Current 300DVB trim and facing accessories will fit this unit.

** If vertical rise is 7-1/2 feet or higher when in top vent configuration only (CDVT), the vent clearance to combustibles is 1" on all sides of the horizontal run.



A Brand of Monessen Hearth Systems Co.
 149 Cleveland Drive, Paris, Kentucky 40361
www.majesticproducts.com



To avoid personal injury or property damage, the product described by this brochure must be installed, operated and maintained in strict compliance with the instructions packaged with the product and all applicable building or fire codes. Contact local building or fire officials about restrictions and installation inspection requirements. All photographs and drawings on this brochure are for illustrative purposes only and are not intended for, nor should they be used as a substitute for the instructions packaged with the unit. Appearance and specifications of the product are subject to change without notice. 04/10