

PRODUCT SPECIFICATIONS

# 42MCUFD-R/42MCUFD-F Magnum Vent Free Firebox



### MINIMUM HEARTH DIMENSIONS

- Front opening width: 38-1/2"
- Front opening height: 26"
- Rear wall width: 30-1/4"
- Firebox depth: 16"

### TECHNICAL INFORMATION

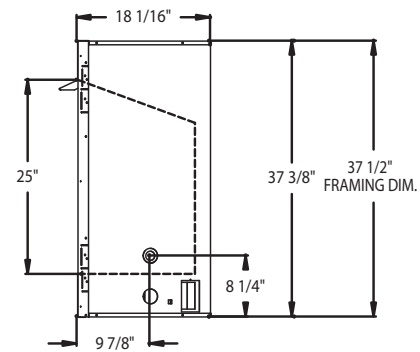
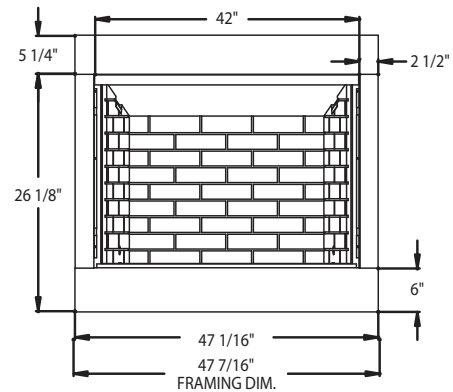
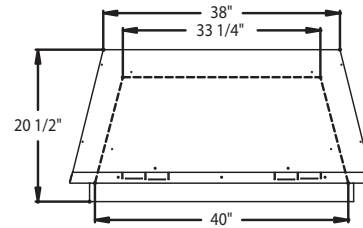
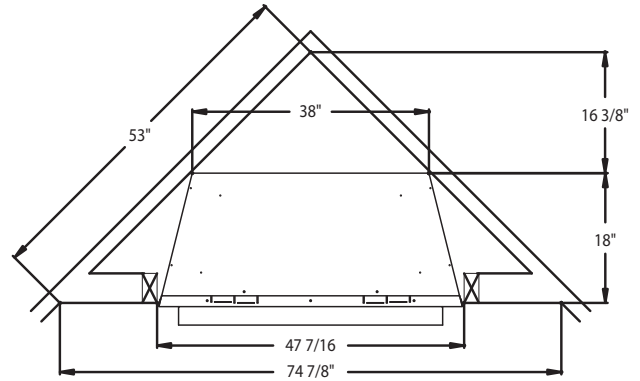
- Clearance to Fireplace: Zero
- CSA Design Certified

### FACTORY INSTALLED OPTIONS

- Refractory firebrick (42MCUFD-R)
- Tavern Brown firebrick (42MCUFD-TB)

### FIELD INSTALLED ACCESSORIES

- Curved Trim: Brass, Pewter, Black
- Variable Thermostat Controlled Forced Air Blower (160cfm) - BLOTMC
- Brass Hood
- Wide Profile Brass Hood
- Classic and Designer Facings



A Brand of Monessen Hearth Systems Co.  
149 Cleveland Drive, Paris, Kentucky 40361  
[www.majesticproducts.com](http://www.majesticproducts.com)



To avoid personal injury or property damage, the product described by this brochure must be installed, operated and maintained in strict compliance with the instructions packaged with the product and all applicable building or fire codes. Contact local building or fire officials about restrictions and installation inspection requirements. All photographs and drawings on this brochure are for illustrative purposes only and are not intended for, nor should they be used as a substitute for the instructions packaged with the unit. Appearance and specifications of the product are subject to change without notice. 04/09