

MAAX SUBMITTAL SPECIFICATIONS

VO5050 5 FT

MODEL NUMBER 140111

DIMENSIONS: 52" x 52" x 24" Fiberglass



Project :

Contractor :

MAAX Representative : Tel :

Date :

www.maax.com

Vivez l'expérience
MAAX[®]
Enjoy the experience

STANDARD FEATURES

- Unique feature: vertical back splash
- Integrated apron
- Integrated tiling flange
- Centre drain
- Corner installation

OPTIONS

- White foam cushion
- Water heater assembly (factory installed)
- One chromotherapy light
- Waste and overflow

UNIQUE FEATURES

- None

SYSTEMS

- MAAX Professional Whirlpool

DOOR SELECTION

Combine with MAAX's complete shower door offering visit www.maax.com

CERTIFICATIONS

Maax products adhere to one or more of the following certifications:



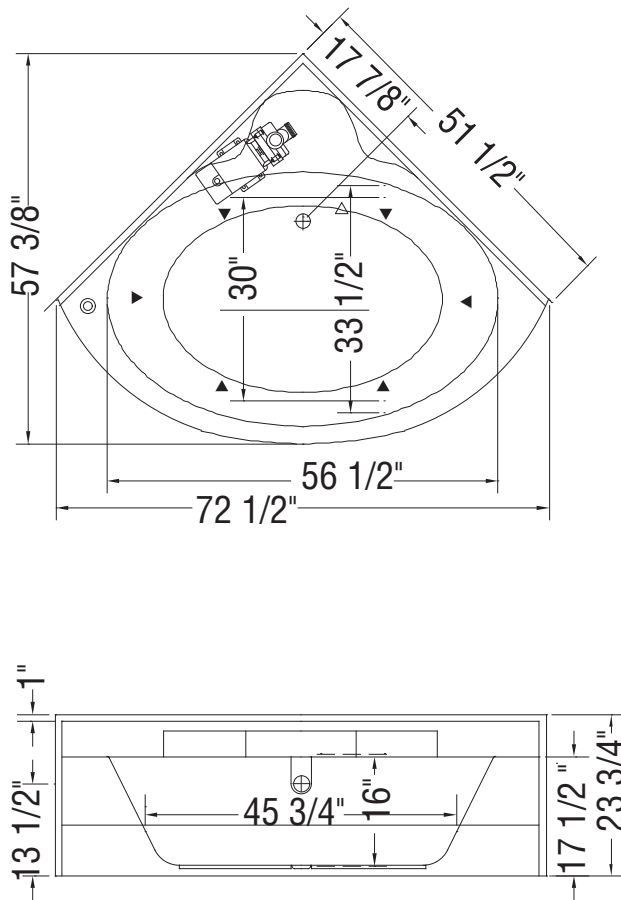
2013-12-11

MAAX SUBMITTAL SPECIFICATIONS

VO5050 5 FT

MODEL NUMBER 140111

TECHNICAL DRAWINGS



(▲): Indicates Whirlpool jets positioning

(△): Indicates suction positioning

All dimensions are approximate. Structure measurements must be verified against the unit to ensure proper fit.