



Codes/Standards Applicable

- UL962
- (electrical outlet)
- C22.2 NO. 9.0 (electrical outlet)

Lighting:

- UL1571
- C22.2 NO. 9.0

KEY BENEFITS

Sturdy aluminum construction White finish or anodized Chrome finish to prevent rust

Patented slide shelf system (Slide Edge) with smooth sidewalls for easy adjustment to meet your needs

Shock-absorbing strip to minimize shock and noise

Six adjustable lateral and vertical hinge positions

STANDARD FEATURE(S)

Mirrored interior providing several possible viewing angles

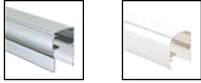
Many potential module combinations (medicine cabinet, mirrors, wall fixtures sconces and shelving) to help you create a customized unit

Reversible cabinet opens from left or right to meet your installation needs

Three glass shelves 6 mm (1/4 in.) thick

Colors

Trim Finish(es)



Chrome 084



White 001

Glass



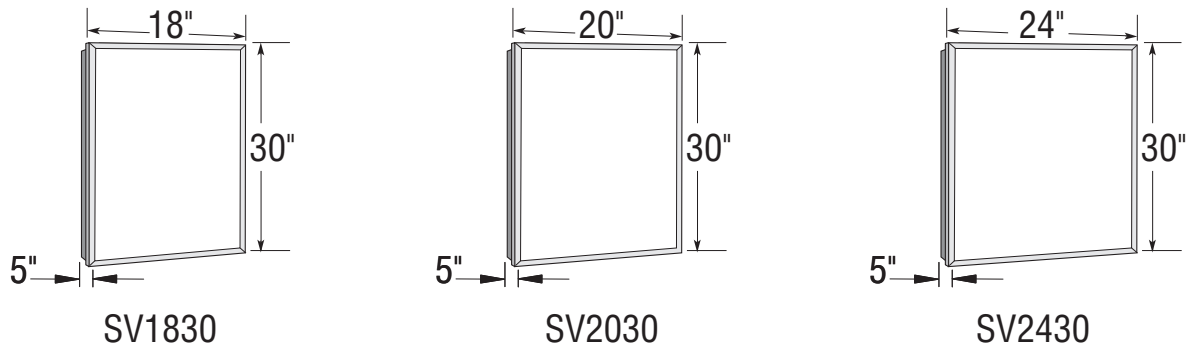
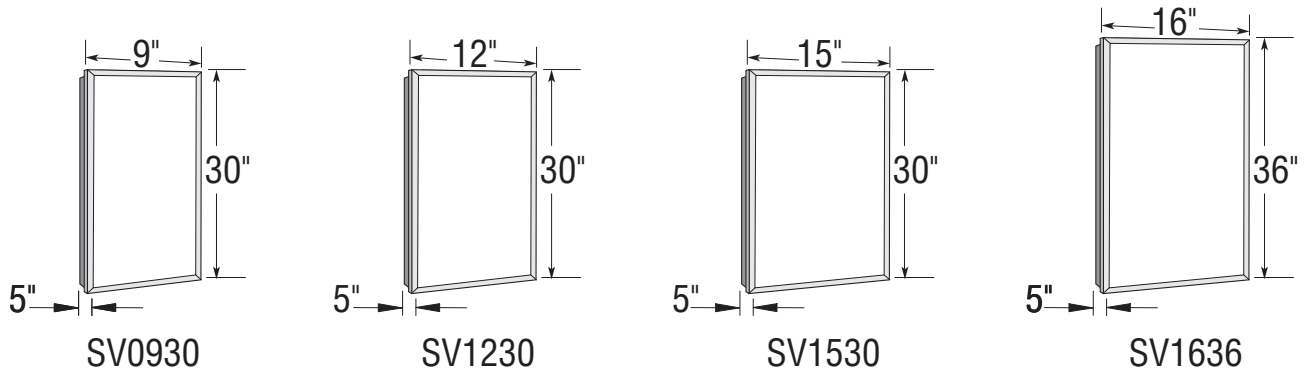
Beveled 801

Colors shown are for reference purposes only and are subject to change without notice. Exact matches are not possible with your monitor display or printing method used.

Model Specifications, Options and Accessories

✓	No	Model	Pattern	Mirror	Finish	Dimensions in. (mm)	Rough Wall Opening W x H x D in. (mm)	Approx. Weight lb (kg)	PKG ft3 (m3)
┌	124905-801-001	Single viewSingle view	N/A	Beveled	White	16 X 36 X 5	15 1/4 X 35 1/4 X 3 7/8	40	6.1
┌	124905-801-084				Chrome				

Beveled Mirrors



Pencil Edge Mirrors

