

MAAX SUBMITTAL SPECIFICATIONS

Vivez l'expérience

MAAX®

Enjoy the experience

Jazz F

MODEL NUMBER 105359

DIMENSIONS: 66" x 36" x 24" Acrylic



STANDARD FEATURES

- Unique feature: air massage system available
- Deep soak bathing for ultimate relaxation
- Relaxing backrest
- Deck for faucet
- 4 self-leveling legs for ease of installation
- Center drain
- Freestanding installation

OPTIONS

- Fjord bathtub faucet with hand shower
- Water pipe inlets (Fjord)
- Fjord 8-in. widespread lavatory
- White foam cushion
- Two chromatherapy lights
- Flexible main hose 15 ft for electronic control

UNIQUE FEATURES

- 1 Tub - 2 Pieces

SYSTEMS

 Aerofeel

DOOR SELECTION

Combine with MAAX's complete shower door offering visit www.maax.com

CERTIFICATIONS

Maax products adhere to one or more of the following certifications:



Project :
Contractor :
MAAX Representative : Tel :
Date :

www.maax.com

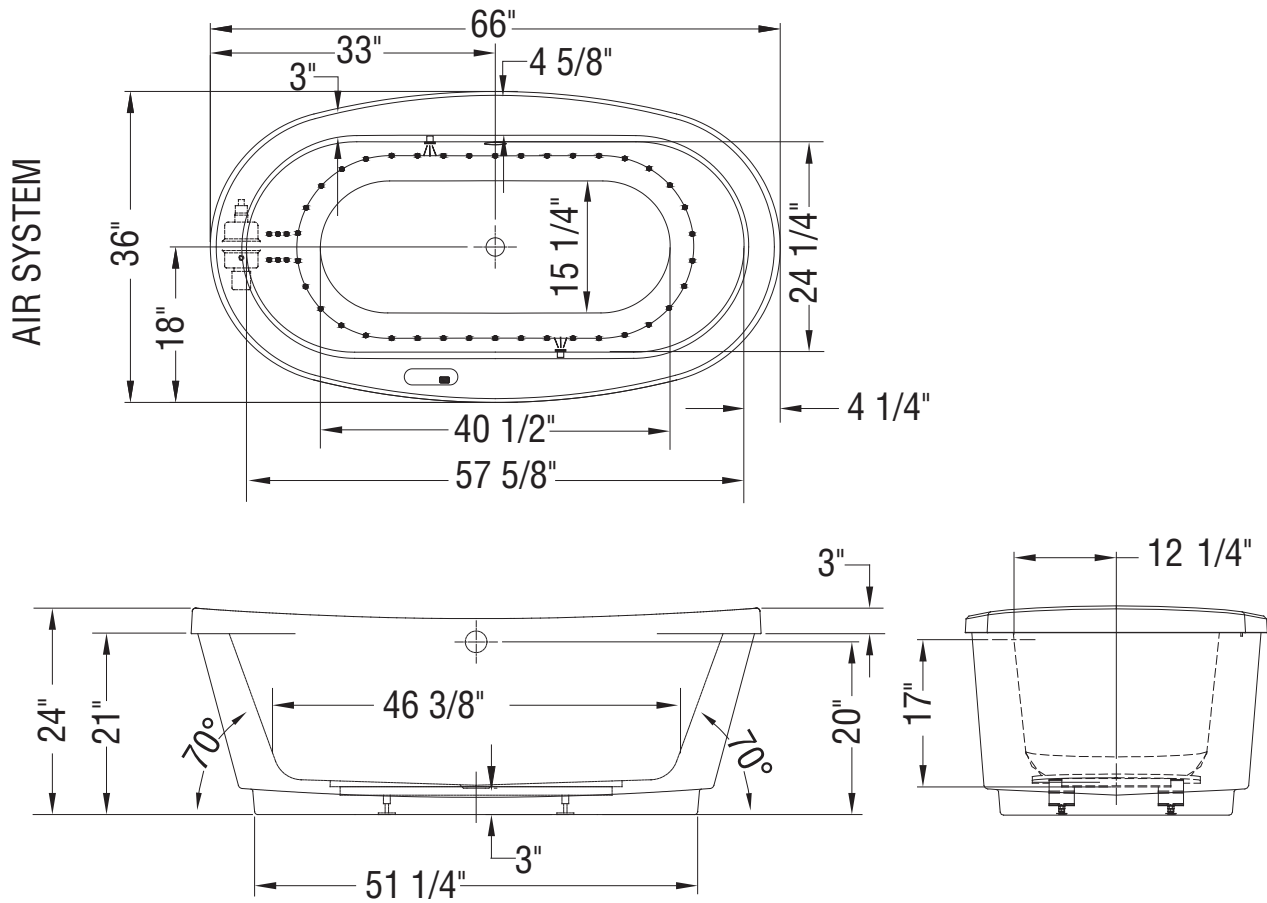
2012-06-15

MAAX SUBMITTAL SPECIFICATIONS

Jazz F

MODEL NUMBER 105359

TECHNICAL DRAWINGS



(•): Indicates airjets positioning
 (☼): Indicates chromatherapy light positioning
All dimensions are approximate. Structure measurements must be verified against the unit to ensure proper fit.