



**Codes/Standards
Applicable**

- ANSI Z124.1.2
- CSA B45 Series

Whirlpool Bathtubs:

- UL1795
- ASME A112.19.7
- CSA C22.2 No. 218.2
- CSA B45.10

KEY BENEFITS

Old world charm
Long, deep soaker tub for total immersion and quiet relaxation

STANDARD FEATURE(S)

White acrylic
Smooth exterior
Spacious enough for two
Black, chrome or brushed nickel finish clawfeet
Soft curves are perfect for warmth, calm and comfort
Central drain

COMMON OPTIONS

Accessory kit
Memory bathtub faucet with hand shower
Solid brass waste and overflow
Water pipe inlets (Memory Faucet)

Colors

Standard Acrylic Colors



White 001

Colors shown are for reference purposes only and are subject to change without notice. Exact matches are not possible with your monitor display or printing method used.

Model Specifications, Options and Accessories

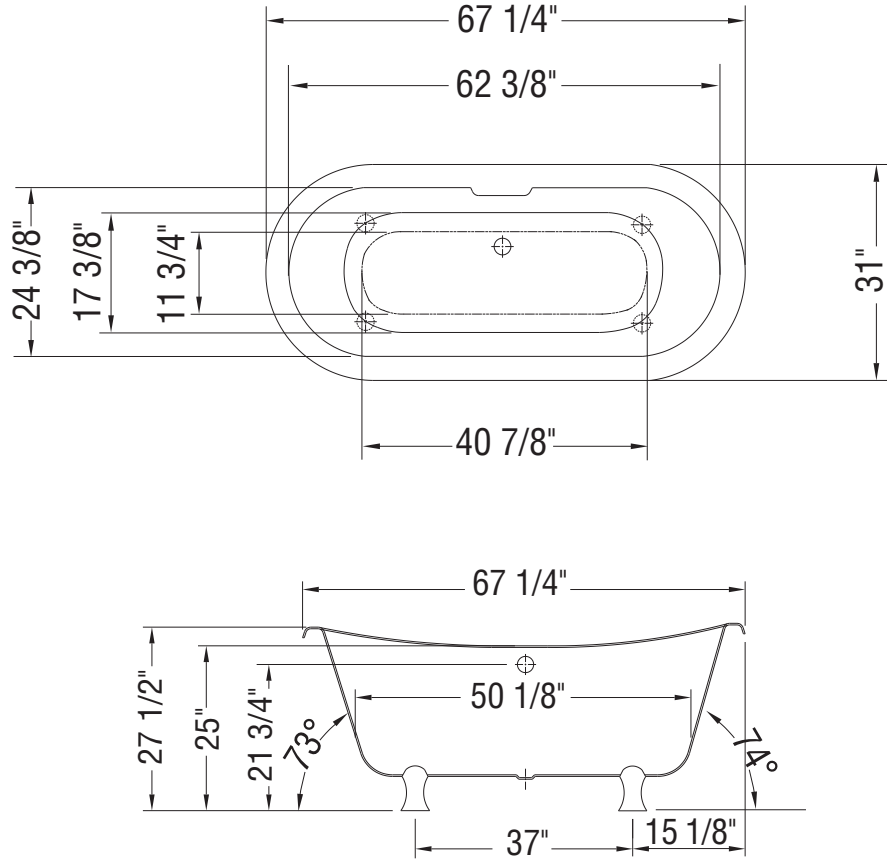
✓	No	Model	Dimensions in. (mm)	Approx. Weight lb (kg)	PKG ft3 (m3)
☐	105182-000	Clawfoot bathtub Available in White (001) only Available finishes for feet: Black (187), Chrome (084) and Brushed Nickel (105)	67 1/4 X 31 X 27 1/2	64.4	31
☐	10017822-XXX	Accessory kit Includes: Memory bathtub faucet with hand shower, water pipe inlet, waste and overflow Available colors: Chrome (084), Polished Brass (085) and Brushed Nickel (105)	N/A	N/A	N/A
Water Capacity: Maximum: 74 gal.					

Faucet

✓	No	Description	Dimensions in. (mm)	Approx. Weight lb (kg)	PKG ft3 (m3)
☐	10015056-XXX	Memory water pipe inlets, solid Brass pipe 3/4-in. male, nut kit and floor flange included Available colors: Chrome (084), Polished Brass (085) and Brushed Nickel (105)	3/4 X 31 X 6	N/A	N/A
☐	101028-000-XXX	Memory bathtub faucet with hand shower, 59-in. hose Available colors: Chrome (084), Polished Brass (085) and Brushed Nickel (105)	N/A		

Accessories

✓	No	Description	Dimensions in. (mm)	Approx. Weight lb (kg)	PKG ft3 (m3)
☐	10007271-XXX	Solid brass waste and overflow for clawfoot tubs (sold separately) Available colors: Chrome (084), Polished Brass (085) and Brushed Nickel (105)	22	3	0.32



Bathtub base includes anti-vibration Neutra-Phone leg supports (not shown).
All dimensions are approximate. Structure measurements must be verified against the unit to ensure proper fit.

Canada	Alberta British Columbia Manitoba New Brunswick Newfoundland Nova Scotia Northwest Territories Ontario Prince Edward Island Quebec Saskatchewan Yukon Territory
United States	Alabama Alaska Arizona Arkansas California Colorado Connecticut Delaware District of Columbia Florida Georgia Hawaii Idaho Illinois Indiana Iowa Kansas Kentucky Louisiana Maine Maryland Massachusetts Michigan Minnesota Mississippi Missouri Montana Nebraska Nevada New Hampshire New Jersey New Mexico New York North Carolina North Dakota Ohio Oklahoma Oregon Pennsylvania Rhode Island South Carolina South Dakota Tennessee Texas Utah Vermont Virginia Washington West Virginia Wisconsin Wyoming
International	Jamaica Switzerland Korea China Taiwan Pilipinas Vietnam Malaysia Singapore Egypt Kuwait Dubai Qatar Saudi Arabia Bermuda Turks & Caicos Dominican Republic Panama Costa Rica Guatemala Colombia

Here are the electrical specifications for all MAAx Collection bathtub therapeutic systems offered in the United States.

PLEASE NOTE THAT SOME SYSTEMS MAY NOT BE AVAILABLE ON THE PRODUCT YOU HAVE SELECTED.

Please refer to the *Common Options* and *Massage System(s)* sections for more details.

HYDROFEEL	
Pump: Requires a dedicated circuit protected by a Class A GFCI. This circuit can be shared with these two options: Chromatherapy and Ambiance Set (Urban® Water Cascade)	
Heater: Requires a dedicated circuit protected by a Class A GFCI.	
Pump	1.5HP / 120V / 12.5A / 60Hz
REST™ Pump Option	1HP / 120V / 9.4A / 60Hz
Heater	1500W / 120V / 12.5A / 60Hz

HYDROMAX	
Pump: Requires a dedicated circuit protected by a Class A GFCI. This circuit can be shared with Chromatherapy (option).	
Pump 2 (for large bathtubs): Requires a dedicated circuit protected by a Class A GFCI.	
Heater: Requires a dedicated circuit protected by a Class A GFCI.	
Pump	1.5HP / 120V / 12.5A / 60Hz
REST™ Pump Option	1HP / 120V / 9.4A / 60Hz
Heater	1500W / 120V / 12.5A / 60Hz

AEROFEEL	
Blower: Requires a dedicated circuit protected by a Class A GFCI. This circuit can be shared with these two options: Chromatherapy and Ambiance Set (Urban® Water Cascade).	
Blower	1.4HP / 120V / 9.5A / 60Hz

COMBINED HYDROFEEL / AEROFEEL	
Blower: Requires a dedicated circuit protected by a Class A GFCI.	
Pump: Requires a dedicated circuit protected by a Class A GFCI. This circuit can be shared with these two options: Chromatherapy and Ambiance Set (Urban® Water Cascade).	
Heater: Requires a dedicated circuit protected by a Class A GFCI.	
Blower	1.4HP / 120V / 9.5A / 60Hz
Pump	1.5HP / 120V / 12.5A / 60Hz
REST™ Pump Option	1HP / 120V / 9.4A / 60Hz
Heater	1500W / 120V / 12.5A / 60Hz

COMBINED HYDROMAX / AEROFEEL	
Blower: Requires a dedicated circuit protected by a Class A GFCI.	
Pump: Requires a dedicated circuit protected by a Class A GFCI. This circuit can be shared with Chromatherapy (option).	
Pump 2 (for large bathtubs): Requires a dedicated circuit protected by a Class A GFCI.	
Heater: Requires a dedicated circuit protected by a Class A GFCI.	
Blower	1.4HP / 120V / 9.5A / 60Hz
Pump	1.5HP / 120V / 12.5A / 60Hz
REST™ Pump Option	1HP / 120V / 9.4A / 60Hz
Heater	1500W / 120V / 12.5A / 60Hz

CHROMATHERAPY	
Requires a dedicated circuit protected by a Class A GFCI.	

AMBIANCE SET (URBAN® WATER CASCADE)	
Requires a dedicated circuit protected by a Class A GFCI. This circuit can be shared with Chromatherapy (option).	

PEARL SERIES

TRUE WHIRLPOOL PEARL SERIES	
Pump: Requires a dedicated circuit protected by a Class A GFCI. This circuit can be shared with Chromatherapy (option) and one of the following options: AromaScents, ThermaZone	
Pump 2 (for large bathtubs): Requires a dedicated circuit protected by a Class A GFCI. This circuit can be shared with Chromatherapy (option).	
Heater: Requires a dedicated circuit protected by a Class A GFCI. This circuit can be shared with ThermaZone (option).	
Pump	1.5HP / 120V / 12.5A / 60Hz
Rest Pump Option	1HP / 120V / 9.4A / 60Hz
Heater	1500W / 120V / 12.5A / 60Hz

AEROFEEL PEARL SERIES	
Blower: Requires a dedicated circuit protected by a Class A GFCI. This circuit can be shared with Chromatherapy (option) and one of the following options: AromaScents, ThermaZone.	
Blower	1.4HP / 120V / 9.5A / 60Hz

COMBINED TRUE WHIRLPOOL / AEROFEEL (Electronic Control) PEARL SERIES	
Blower: Requires a dedicated circuit protected by a Class A GFCI.	
Pump: Requires a dedicated circuit protected by a Class A GFCI. This circuit can be shared with Chromatherapy (option) and one of the following options: AromaScents, ThermaZone.	
Heater: Requires a dedicated circuit protected by a Class A GFCI. This circuit can be shared with ThermaZone (option).	
Blower	1.4HP / 120V / 9.5A / 60Hz
Pump	1.5HP / 120V / 12.5A / 60Hz
Rest Pump Option	1HP / 120V / 9.4A / 60Hz
Heater	1500W / 120V / 12.5A / 60Hz

THERMAZONE PEARL SERIES	
Requires a dedicated circuit protected by a Class A GFCI. This circuit can be shared with these two options: Chromatherapy and AromaScents.	
84W / 120V / 0.7A / 60 Hz	

CHROMATHERAPY PEARL SERIES	
Requires a dedicated circuit protected by a Class A GFCI.	

AROMASCENTS PEARL SERIES	
Requires a dedicated circuit protected by a Class A GFCI. This circuit can be shared with Chromatherapy (option).	
1.5W / 120V / 0.0125A / 60 Hz	

Installation Note

Install this product according to the *Installation Guide*.
All electrical wiring must be done per national/local electrical codes.