



**Codes/Standards
Applicable**

- ANSI Z124.1.2
- CSA B45 Series

Whirlpool Bathtubs:

- UL1795
- ASME A112.19.7
- CSA C22.2 No. 218.2
- CSA B45.10

STANDARD FEATURE(S)

- Ergonomic backrest
- Integrated apron
- Optimal interior space
- Comfortable armrests
- Oval bathtub with clean lines

PLUMBER FEATURE(S)

- Right- or left-hand drain
- Alcove installation
- Above the floor rough

COMMON OPTIONS

- Flexible main hose 9 ft for air push control
- Metal trim kit for Aeroeffect air push control
- Metal trim kit for Whirlpool
- [One chromatherapy light](#)
- Waste and overflow
- Water heater assembly (factory installed)
- White foam cushion

MASSAGE SYSTEM(S)

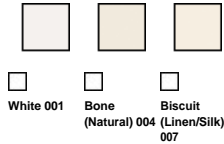
- [Aeroeffect with air push control](#)

Combined Whirlpool and Aeroeffect with air push control

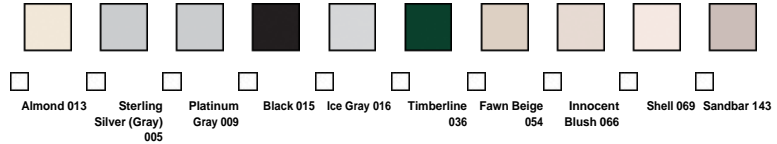
[Whirlpool](#)

Colors

Standard Acrylic Colors



Non-Standard Acrylic Colors



Colors shown are for reference purposes only and are subject to change without notice. Exact matches are not possible with your monitor display or printing method used.

Model Specifications, Options and Accessories

No	Model	Dimensions in. (mm)	Approx. Weight lb (kg)	PKG ft3 (m3)
102895-000	Bathtub 102895-R-000-XXX Right-hand drain 102895-L-000-XXX Left-hand drain Specify: Standard colors: White (001), Bone (004), Biscuit (007) Non-standard colors: Sterling Silver (005), Platinum Gray (009), Almond (013), Black (015), Ice Gray (016), Fawn Beige (054), Innocent Blush (066), Sandbar (143)	60 X 30-38 X 23 3/4	68	38
Water Capacity: Minimum: 38 gal. Maximum: 58 gal.				

BATHTUB MODEL WITH MASSAGE SYSTEM SEE BASE MODEL FOR COLORS

No	Description	Dimensions in. (mm)	Approx. Weight lb (kg)	PKG ft3 (m3)
102895-003	Whirlpool	60 X 30-38 X 23 3/4	93	38
102895-103	Aeroeffect with air push control (air system)		128	
102895-097	Combined Whirlpool and Aeroeffect with air push control			

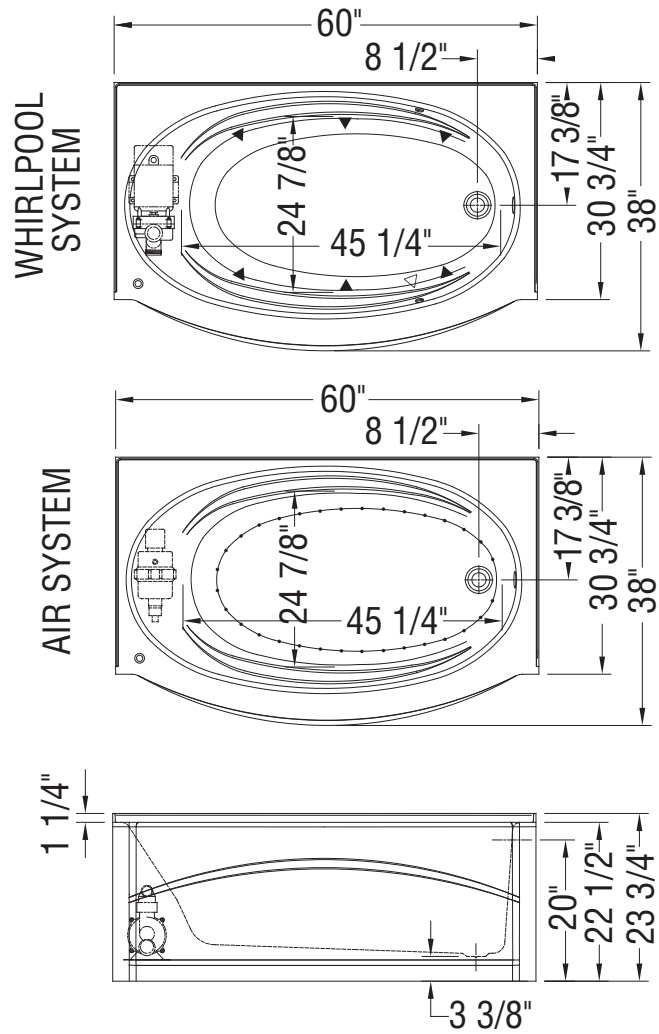
COMMON OPTIONS

No	Description	Dimensions in. (mm)	Approx. Weight lb (kg)	PKG ft3 (m3)
OPT 10053	One chromatherapy light (factory installed)	2 3/8	2.5	N/A
OPT 10095	Water heater assembly for Whirlpool (003) and combined systems (097) (factory installed)	9 X 5 X 3	2	
OPT 10106-XXX	Metal trim kit for Whirlpool (003) and combined systems (097) (factory installed) Available colors: Chrome (084), Polished Brass (085) and Brushed Nickel (105)	N/A	1.5	
OPT 20029-XXX	Metal trim kit for Aeroeffect Air Push Control (103) (factory installed) Available colors: Chrome (084), Polished Brass (085) and Brushed Nickel (105)		0.125	
OPT 20137-XXX	Cable-operated waste and overflow (16 to 22 in.) (included in product packaging) Available colors: White (001), Bone (004), Biscuit (007), Chrome (084), Polished Brass (085) and Brushed Nickel (105)		1	

(Continued on next page)

Accessories

✓	No	Description	Dimensions in. (mm)	Approx. Weight lb (kg)	PKG ft3 (m3)
┌	10004306-001	White foam cushion with 2 suction pads (sold separately)	11 1/2 X 6 1/2 X 1	1	0.27
┌	10004520-XXX	Metal Trim Kit for Aeroeffect Air Push Control (103) (sold separately) Available colors: Chrome (084), Polished Brass (085) and Brushed Nickel (105)	N/A	0.125	N/A
┌	10006887-XXX	Metal trim kit for Whirlpool (003) and combined systems (097) (sold separately) Available colors: Chrome (084), Polished Brass (085) and Brushed Nickel (105)		1.5	
┌	10006923	Flexible main hose (9-ft. extension) for Air Push Control Air Massage - Kit (sold separately)	108	2.5	0.89
┌	10022491-XXX	Cable-operated waste and overflow (16 to 22 in.) (sold separately) Available colors: White (001), Bone (004), Biscuit (007), Chrome (084), Polished Brass (085) and Brushed Nickel (105)	N/A	1	0.38



- (▲): Indicates Whirlpool jets positioning
- (●): Indicates airjets positioning
- (△): Indicates suction positioning

All dimensions are approximate. Structure measurements must be verified against the unit to ensure proper fit.

Here are the electrical specifications for all MAAX Professional bathtub therapeutic systems offered in the United States.

PLEASE NOTE THAT SOME SYSTEMS MAY NOT BE AVAILABLE ON THE PRODUCT YOU HAVE SELECTED.

Please refer to the *Common Options* and *Massage System(s)* sections for more details.

WHIRLPOOL	
Pump: Requires a dedicated circuit protected by a Class A GFCI. This circuit can be shared with Chromatherapy (option).	
Heater: Requires a dedicated circuit protected by a Class GFCI.	
Pump	3/4HP / 120V / 7.5A / 60Hz
Heater	1500W / 120V / 12.5A / 60Hz

AEROEFFECT WITH AIR PUSH CONTROL	
Blower: Requires a dedicated circuit protected by a Class A GFCI. This circuit can be shared with Chromatherapy (option).	
Blower	1.4 HP / 120V / 9.5A / 60Hz

COMBINED WHIRLPOOL / AEROEFFECT WITH AIR PUSH CONTROL (W/A)	
Blower: Requires a dedicated circuit protected by a Class A GFCI.	
Pump: Requires a dedicated circuit protected by a Class A GFCI. This circuit can be shared with Chromatherapy (option).	
Heater: Requires a dedicated circuit protected by a Class A GFCI.	
Blower	1.4 HP / 120V / 9.5A / 60Hz
Pump	3/4HP / 120V / 7.5A / 60Hz
Heater	1500W / 120V / 12.5A / 60Hz

CHROMATHERAPY
Requires a dedicated circuit protected by a Class A GFCI.

Installation Note

Install this product according to the *Installation Guide*.

All electrical wiring must be done per national/local electrical codes.