



**Codes/Standards
Applicable**

- ANSI Z124.1.2
- CSA B45 Series

Whirlpool Bathtubs:

- UL1795
- ASME A112.19.7
- CSA C22.2 No. 218.2
- CSA B45.10

KEY BENEFITS

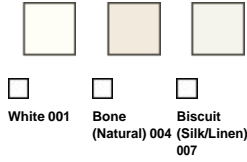
A standard-size tub built for relaxation that will add style to any bathroom

STANDARD FEATURE(S)

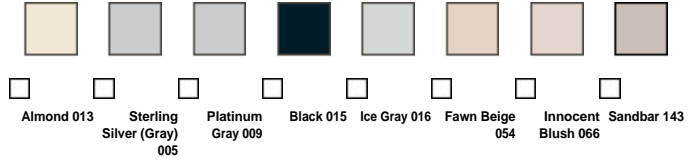
- Maximized interior space
- Integrated headrest
- Inclined armrests
- Integrated faucet area

Colors

Standard Acrylic Colors



Non-Standard Acrylic Colors



Colors shown are for reference purposes only and are subject to change without notice. Exact matches are not possible with your monitor display or printing method used.

Model Specifications, Options and Accessories

No	Model	Dimensions in. (mm)	Approx. Weight lb (kg)	PKG ft3 (m3)
✓ 102938-000	Bathtub Specify: Standard colors: White (001), Bone (004), Biscuit (007) Non-standard colors: Sterling Silver (005), Platinum Gray (009), Almond (013), Black (015), Ice Gray (016), Fawn Beige (054), Innocent Blush (066), Sandbar (143)	60 1/8 X 33 5/8 X 19 3/4	58	26.4

BATHTUB MODEL WITH MASSAGE SYSTEM SEE BASE MODEL FOR COLORS

No	Description	Dimensions in. (mm)	Approx. Weight lb (kg)	PKG ft3 (m3)
✓ 102938-004	Hydromax® (whirlpool system) White cushion included	60 1/8 X 33 5/8 X 19 3/4	93	26.4
102938-055	Aerofeel® (air system)		83	
102938-094	Combined Hydromax® and Aerofeel® White cushion included		118	

COMMON OPTIONS

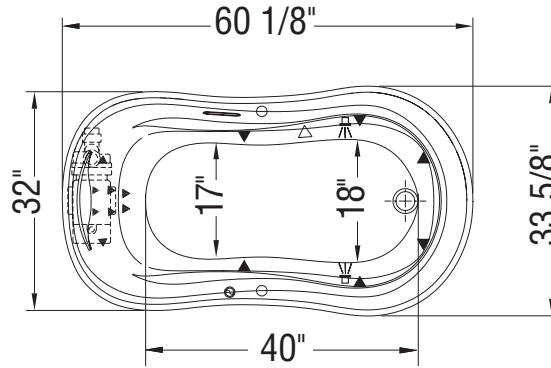
No	Description	Dimensions in. (mm)	Approx. Weight lb (kg)	PKG ft3 (m3)
✓ OPT 10054	Two chromatherapy lights (factory installed)	N/A	N/A	N/A
OPT 10095	Water heater assembly for whirlpool and combined systems (factory installed). The water heater may exceed bathtub size by 1 1/2 in. maximum.	9 X 5 X 3	2	
OPT 10096	Thermo-Acoustic system (minimal installation required)	N/A	6	
OPT 10106-XXX	Metal trim kit for whirlpools and combined systems (factory installed) Available colors: Chrome (084), Polished Brass (085) and Brushed Nickel (105)		1.5	
OPT 10119-XXX	Metallic finish trim kit for Aerofeel electronic control (factory installed) Available colors: Chrome (084), Polished Brass (085) and Brushed Nickel (105)		1.5	
OPT 20139	Ozonator for whirlpool system (factory installed)		N/A	

(Continued on next page)

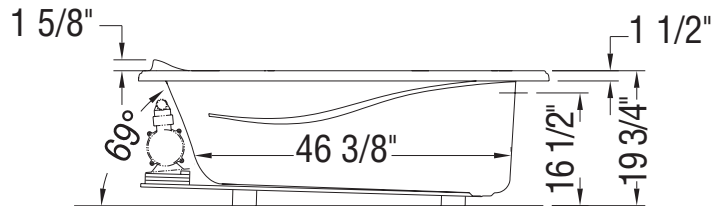
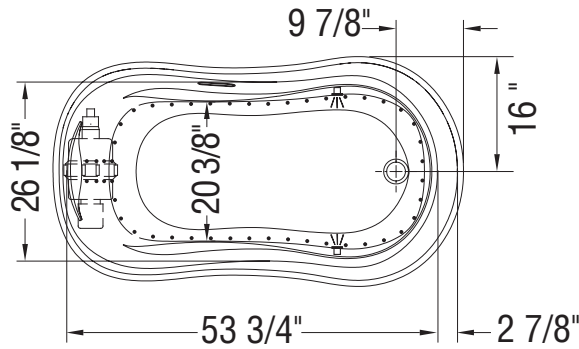
Accessories

✓	No	Description	Dimensions in. (mm)	Approx. Weight lb (kg)	PKG ft3 (m3)
☐	10004306-001	White foam cushion with 2 suction pads (sold separately)	11 1/2 X 6 1/2 X 1	1	0.27
☐	10019708	Flexible main hose for electronic control air massage - kit (sold separately) 15-ft. extension	N/A	N/A	N/A
☐	10025081-XXX	Waste and overflow 27" flexible neck (sold separately) Available colors: White (001) , Bone (004) , Biscuit (007) , Chrome (084) , Polished Brass (085) and Brushed Nickel (105)			

WHIRLPOOL SYSTEM



AIR SYSTEM



(▲): Indicates whirlpool jets positioning

(△): Indicates suction positioning

(●): Indicates airjets positioning

(☼): Indicates chromatherapy light positioning

Bathtub base includes anti-vibration Neutra-Phone leg supports (not shown).

All dimensions are approximate. Structure measurements must be verified against the unit to ensure proper fit.

Canada	Alberta British Columbia Manitoba New Brunswick Newfoundland Nova Scotia Northwest Territories Ontario Prince Edward Island Quebec Saskatchewan Yukon Territory
United States	Alabama Alaska Arizona Arkansas California Colorado Connecticut Delaware District of Columbia Florida Georgia Hawaii Idaho Illinois Indiana Iowa Kansas Kentucky Louisiana Maine Maryland Massachusetts Michigan Minnesota Mississippi Missouri Montana Nebraska Nevada New Hampshire New Jersey New Mexico New York North Carolina North Dakota Ohio Oklahoma Oregon Pennsylvania Rhode Island South Carolina South Dakota Tennessee Texas Utah Vermont Virginia Washington West Virginia Wisconsin Wyoming
International	Jamaica Switzerland Korea China Taiwan Pilipinas Vietnam Malaysia Singapore Egypt Kuwait Dubai Qatar Saudi Arabia Bermuda Turks & Caicos Dominican Republic Panama Costa Rica Guatemala Colombia

Here are the electrical specifications for all MAAx Collection bathtub therapeutic systems offered in the United States.

PLEASE NOTE THAT SOME SYSTEMS MAY NOT BE AVAILABLE ON THE PRODUCT YOU HAVE SELECTED.

Please refer to the *Common Options* and *Massage System(s)* sections for more details.

HYDROFEEL	
Pump: Requires a dedicated circuit protected by a Class A GFCI. This circuit can be shared with these two options: Chromatherapy and Ambiance Set (Urban® Water Cascade)	
Heater: Requires a dedicated circuit protected by a Class A GFCI.	
Pump	1.5HP / 120V / 12.5A / 60Hz
REST™ Pump Option	1HP / 120V / 9.4A / 60Hz
Heater	1500W / 120V / 12.5A / 60Hz

HYDROMAX	
Pump: Requires a dedicated circuit protected by a Class A GFCI. This circuit can be shared with Chromatherapy (option).	
Pump 2 (for large bathtubs): Requires a dedicated circuit protected by a Class A GFCI.	
Heater: Requires a dedicated circuit protected by a Class A GFCI.	
Pump	1.5HP / 120V / 12.5A / 60Hz
REST™ Pump Option	1HP / 120V / 9.4A / 60Hz
Heater	1500W / 120V / 12.5A / 60Hz

AEROFEEL	
Blower: Requires a dedicated circuit protected by a Class A GFCI. This circuit can be shared with these two options: Chromatherapy and Ambiance Set (Urban® Water Cascade).	
Blower	1.4HP / 120V / 9.5A / 60Hz

COMBINED HYDROFEEL / AEROFEEL	
Blower: Requires a dedicated circuit protected by a Class A GFCI.	
Pump: Requires a dedicated circuit protected by a Class A GFCI. This circuit can be shared with these two options: Chromatherapy and Ambiance Set (Urban® Water Cascade).	
Heater: Requires a dedicated circuit protected by a Class A GFCI.	
Blower	1.4HP / 120V / 9.5A / 60Hz
Pump	1.5HP / 120V / 12.5A / 60Hz
REST™ Pump Option	1HP / 120V / 9.4A / 60Hz
Heater	1500W / 120V / 12.5A / 60Hz

COMBINED HYDROMAX / AEROFEEL	
Blower: Requires a dedicated circuit protected by a Class A GFCI.	
Pump: Requires a dedicated circuit protected by a Class A GFCI. This circuit can be shared with Chromatherapy (option).	
Pump 2 (for large bathtubs): Requires a dedicated circuit protected by a Class A GFCI.	
Heater: Requires a dedicated circuit protected by a Class A GFCI.	
Blower	1.4HP / 120V / 9.5A / 60Hz
Pump	1.5HP / 120V / 12.5A / 60Hz
REST™ Pump Option	1HP / 120V / 9.4A / 60Hz
Heater	1500W / 120V / 12.5A / 60Hz

CHROMATHERAPY	
Requires a dedicated circuit protected by a Class A GFCI.	

AMBIANCE SET (URBAN® WATER CASCADE)	
Requires a dedicated circuit protected by a Class A GFCI. This circuit can be shared with Chromatherapy (option).	

PEARL SERIES

TRUE WHIRLPOOL PEARL SERIES	
Pump: Requires a dedicated circuit protected by a Class A GFCI. This circuit can be shared with Chromatherapy (option) and one of the following options: AromaScents, ThermaZone	
Pump 2 (for large bathtubs): Requires a dedicated circuit protected by a Class A GFCI. This circuit can be shared with Chromatherapy (option).	
Heater: Requires a dedicated circuit protected by a Class A GFCI. This circuit can be shared with ThermaZone (option).	
Pump	1.5HP / 120V / 12.5A / 60Hz
Rest Pump Option	1HP / 120V / 9.4A / 60Hz
Heater	1500W / 120V / 12.5A / 60Hz

AEROFEEL PEARL SERIES	
Blower: Requires a dedicated circuit protected by a Class A GFCI. This circuit can be shared with Chromatherapy (option) and one of the following options: AromaScents, ThermaZone.	
Blower	1.4HP / 120V / 9.5A / 60Hz

COMBINED TRUE WHIRLPOOL / AEROFEEL (Electronic Control) PEARL SERIES	
Blower: Requires a dedicated circuit protected by a Class A GFCI.	
Pump: Requires a dedicated circuit protected by a Class A GFCI. This circuit can be shared with Chromatherapy (option) and one of the following options: AromaScents, ThermaZone.	
Heater: Requires a dedicated circuit protected by a Class A GFCI. This circuit can be shared with ThermaZone (option).	
Blower	1.4HP / 120V / 9.5A / 60Hz
Pump	1.5HP / 120V / 12.5A / 60Hz
Rest Pump Option	1HP / 120V / 9.4A / 60Hz
Heater	1500W / 120V / 12.5A / 60Hz

THERMAZONE PEARL SERIES	
Requires a dedicated circuit protected by a Class A GFCI. This circuit can be shared with these two options: Chromatherapy and AromaScents.	
84W / 120V / 0.7A / 60 Hz	

CHROMATHERAPY PEARL SERIES	
Requires a dedicated circuit protected by a Class A GFCI.	

AROMASCENTS PEARL SERIES	
Requires a dedicated circuit protected by a Class A GFCI. This circuit can be shared with Chromatherapy (option).	
1.5W / 120V / 0.0125A / 60 Hz	

Installation Note

Install this product according to the *Installation Guide*.
All electrical wiring must be done per national/local electrical codes.