



### Codes/Standards Applicable

- ANSI Z124.1.2
- CSA B45 Series

### Whirlpool Bathtubs:

- UL1795
- ASME A112.19.7
- CSA C22.2 No. 218.2
- CSA B45.10

### KEY BENEFITS

Pose™ bathtubs provide you with the versatility needed to complete all of your renovation or construction projects

The Pose bathtub comes in six different sizes, is made of acrylic and will accommodate various types of installation: drop-in, undermount and alcove, with or without an apron

### STANDARD FEATURE(S)

Minimalist design that fits many styles of décors

Wide deck-mount to facilitate the installation of the faucets (4 in.)

Comfortable inclined backrest (20 degree)

Textured bottom

Choice of two deck heights (2 or 4 in.)

### COMMON OPTIONS

Acrylic apron with access panel

Acrylic apron without access panel

Flexible main hose 9 ft for air push control

Lite deck

Metal trim kit for Aeroeffect air push control

Metal trim kit for whirlpool and combined systems

[One chromatherapy light](#)

Tiling flange

Two 6-in. grab bars

Waste and overflow

Water heater assembly (factory installed)

White foam cushion

### MASSAGE SYSTEM(S)

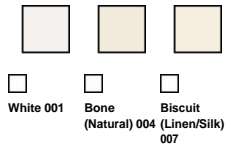
[Aeroeffect with air push control](#)

Combined Whirlpool and Aeroeffect with air push control

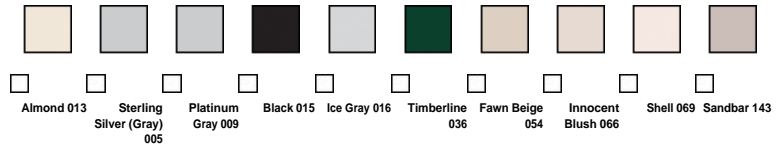
[Whirlpool](#)

**Colors**

**Standard Acrylic Colors**



**Non-Standard Acrylic Colors**



Colors shown are for reference purposes only and are subject to change without notice. Exact matches are not possible with your monitor display or printing method used.

**Model Specifications, Options and Accessories**

✓	No	Model	Dimensions in. (mm)	Approx. Weight lb (kg)	PKG ft3 (m3)
☐	101458-000	Bathtub Specify: Standard colors: White (001), Bone (004), Biscuit (007) Non-standard colors: Sterling Silver (005), Platinum Gray (009), Almond (013), Black (015), Ice Gray (016), Fawn Beige (054), Innocent Blush (066), Sandbar (143)	66 X 32 X 23 5/8	69	N/A
☐	101954-000	Acrylic apron without access panel Specify: Standard colors: White (001), Bone (004), Biscuit (007)	N/A	N/A	
☐	101957-000	Acrylic apron with access panel Specify: Standard colors: White (001), Bone (004), Biscuit (007)			
☐	OPT 20205	Lite option 3/8" thin deck			
Water Capacity: Minimum: 51 gal. Maximum: 77 gal.					

**BATHTUB MODEL WITH MASSAGE SYSTEM SEE BASE MODEL FOR COLORS**

✓	No	Description	Dimensions in. (mm)	Approx. Weight lb (kg)	PKG ft3 (m3)
☐	101458-003	Whirlpool	66 X 32 X 23 5/8	104	N/A
☐	101458-103	Aeroeffect with air push control (air system)		94	
☐	101458-097	Combined Whirlpool and Aeroeffect with air push control		129	

(Continued on next page)

## COMMON OPTIONS

<input checked="" type="checkbox"/>	No	Description	Dimensions in. (mm)	Approx. Weight lb (kg)	PKG ft3 (m3)
<input type="checkbox"/>	OPT 10053	One chromatherapy light (factory installed)	2 3/8	2.5	N/A
<input type="checkbox"/>	OPT 10095	Water heater assembly for Whirlpool (003) and combined systems (097) (factory installed)	9 X 5 X 3	2	
<input type="checkbox"/>	OPT 10260-XXX	Two 6-in. acrylic grab bars (factory installed) Available colors: White (001), Bone (004), Biscuit (007), Chrome (084), Polished Brass (085) and Brushed Nickel (105)	6	0.25	
<input type="checkbox"/>	OPT 20029-XXX	Metal trim kit for Aeroeffect Air Push Control (103) (factory installed) Available colors: Chrome (084), Polished Brass (085) and Brushed Nickel (105)	N/A	0.125	
<input type="checkbox"/>	OPT 20137-XXX	Cable-operated waste and overflow (16 to 22 in.) (included in product packaging) Available colors: White (001), Bone (004), Biscuit (007), Chrome (084), Polished Brass (085) and Brushed Nickel (105)		1	0.38

## Whirlpool Options

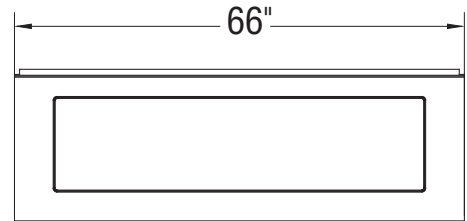
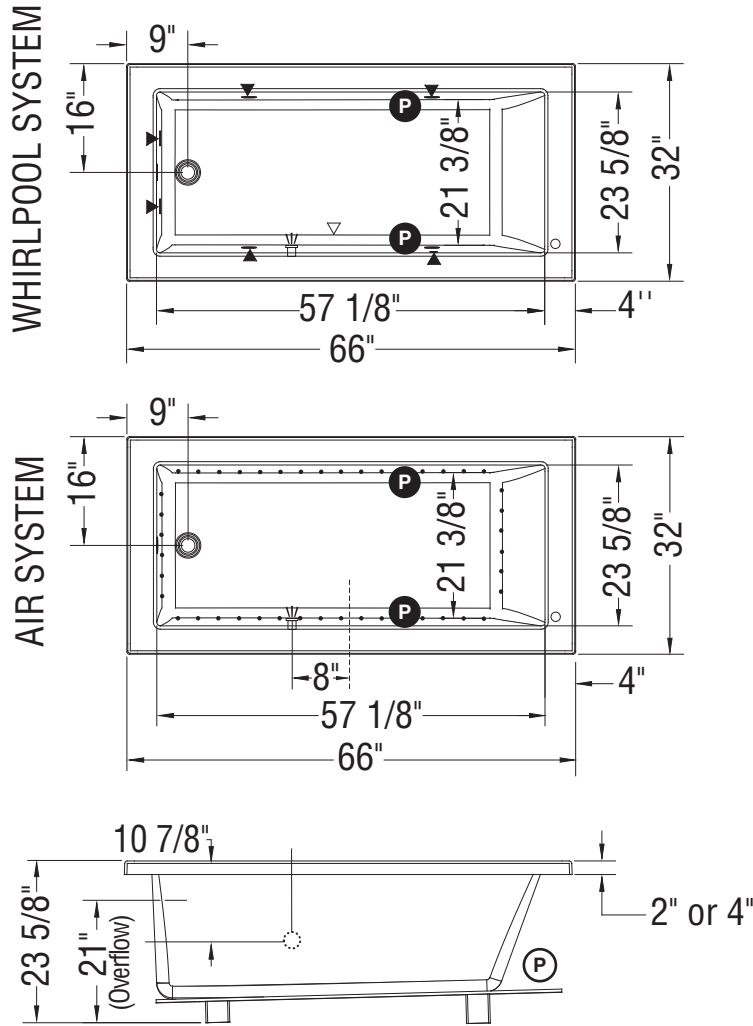
<input checked="" type="checkbox"/>	No	Description	Dimensions in. (mm)	Approx. Weight lb (kg)	PKG ft3 (m3)
<input type="checkbox"/>	OPT 10106-XXX	Metal trim kit for Whirlpool (003) and combined systems (097) (factory installed) Available colors: Chrome (084), Polished Brass (085) and Brushed Nickel (105)	N/A	1.5	N/A

## Accessories

<input checked="" type="checkbox"/>	No	Description	Dimensions in. (mm)	Approx. Weight lb (kg)	PKG ft3 (m3)
<input type="checkbox"/>	10004306-001	White foam cushion with 2 suction pads (sold separately)	11 1/2 X 6 1/2 X 1	1	0.27
<input type="checkbox"/>	10004520-XXX	Metal Trim Kit for Aeroeffect Air Push Control (103) (sold separately) Available colors: Chrome (084), Polished Brass (085) and Brushed Nickel (105)	N/A	0.125	N/A
<input type="checkbox"/>	10006916	Tiling flange. 1 x 66-in., 2 x 36-in (sold separately)		1.5	
<input type="checkbox"/>	10006923	Flexible main hose (9-ft. extension) for Air Push Control Air Massage - Kit (sold separately)	108	2.5	0.89
<input type="checkbox"/>	10022491-XXX	Cable-operated waste and overflow (16 to 22 in.) (sold separately) Available colors: White (001), Bone (004), Biscuit (007), Chrome (084), Polished Brass (085) and Brushed Nickel (105)	N/A	1	0.38
<input type="checkbox"/>	10028641-XXX	Metal trim kit for Whirlpool system (003) and combined systems (097) (sold separately) Available colors: Chrome (084), Polished Brass (085) and Brushed Nickel (105)		1.5	N/A

## Shower doors

<input checked="" type="checkbox"/>	No	Description
<input type="checkbox"/>	138303	Triple Plus - three-panel sliding door 64 1/2 in.
<input type="checkbox"/>	135130	Tub Shield - frameless pivot door 30 in.
<input type="checkbox"/>	135630	Deluxe Tub Shield 30 in.
<input type="checkbox"/>	135340	3 folding panels - three-panel folding door 39 1/2 in.



- (P) : Indicates pump positioning
- (●) : Indicates optional grab bar positioning
- (▲) : Indicates Whirlpool jets positioning
- (•) : Indicates airjets positioning
- (△) : Indicates suction positioning
- (▽) : Indicates chromatherapy light positioning
- (○) : Indicates height of chromatherapy light positioning

**All dimensions are approximate. Structure measurements must be verified against the unit to ensure proper fit.**

Here are the electrical specifications for all MAAX Professional bathtub therapeutic systems offered in the United States.

**PLEASE NOTE THAT SOME SYSTEMS MAY NOT BE AVAILABLE ON THE PRODUCT YOU HAVE SELECTED.**

Please refer to the *Common Options* and *Massage System(s)* sections for more details.

WHIRLPOOL	
<b>Pump:</b> Requires a dedicated circuit protected by a Class A GFCI. This circuit can be shared with Chromatherapy (option).	
<b>Heater:</b> Requires a dedicated circuit protected by a Class GFCI.	
Pump	3/4HP / 120V / 7.5A / 60Hz
Heater	1500W / 120V / 12.5A / 60Hz

AEROEFFECT WITH AIR PUSH CONTROL	
<b>Blower:</b> Requires a dedicated circuit protected by a Class A GFCI. This circuit can be shared with Chromatherapy (option).	
Blower	1.4 HP / 120V / 9.5A / 60Hz

COMBINED WHIRLPOOL / AEROEFFECT WITH AIR PUSH CONTROL (W/A)	
<b>Blower:</b> Requires a dedicated circuit protected by a Class A GFCI.	
<b>Pump:</b> Requires a dedicated circuit protected by a Class A GFCI. This circuit can be shared with Chromatherapy (option).	
<b>Heater:</b> Requires a dedicated circuit protected by a Class A GFCI.	
Blower	1.4 HP / 120V / 9.5A / 60Hz
Pump	3/4HP / 120V / 7.5A / 60Hz
Heater	1500W / 120V / 12.5A / 60Hz

CHROMATHERAPY
Requires a dedicated circuit protected by a Class A GFCI.

**Installation Note**

Install this product according to the *Installation Guide*.

All electrical wiring must be done per national/local electrical codes.