

Concerto™ II, 1-piece

59" x 31" x 75" | 1499 x 787 x 1905 mm



Codes/Standards Applicable

- ANSI Z124.1.2
- CSA B45 Series

Whirlpool Tub Showers:

- UL1795
- ASME A112.19.7
- CSA C22.2 No. 218.3-93
- CSA B45.10

STANDARD FEATURE(S)

- Soap dishes
- Clear towel bar
- Textured bottom
- Towel bar

PLUMBER FEATURE(S)

- Right or left-hand drain, specify when ordering
- One-piece installation

COMMON OPTIONS

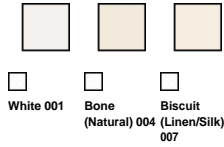
- Flexible main hose 9 ft for Air Push Control
- Metal trim kit for Aeroeffect Air Push Control
- [One chromatherapy light](#)
- Waste and overflow
- Water heater
- White foam cushion

MASSAGE SYSTEM(S)

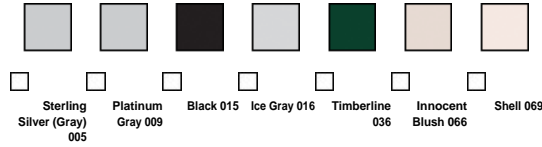
- [Aeroeffect with air push control](#)
- Combined Whirlpool and Aeroeffect with air push control
- [Whirlpool](#)

Colors

Standard Acrylic Colors



Non-Standard Acrylic Colors



Colors shown are for reference purposes only and are subject to change without notice. Exact matches are not possible with your monitor display or printing method used.

Model Specifications, Options and Accessories

No	Model	Dimensions in. (mm)	Approx. Weight lb (kg)	PKG ft3 (m3)
✓	1-piece tub shower 100886-R-000-XXX Right-hand drain 100886-L-000-XXX Left-hand drain Specify: Standard colors: White (001), Bone (004), Biscuit (007) Non-standard colors: Sterling Silver (005), Platinum Gray (009), Black (015), Ice Gray (016), Sea Foam (034), Timberline (036), Innocent Blush (066), Shell (069)	59 1/4 X 31 X 74 1/2 Door opening: 52 1/8 x 56 1/2	145	87
Water Capacity: Minimum: 26 gal. Maximum: 47 gal.				

TUB SHOWER MODEL WITH MASSAGE SYSTEM SEE BASE MODEL FOR COLORS

No	Description	Dimensions in. (mm)	Approx. Weight lb (kg)	PKG ft3 (m3)
✓	Whirlpool	59 1/4 X 35 1/2 X 74 1/2 Door opening: 52 1/8 x 56 1/2	180	87
100886-R-003	-			
100886-L-003	-			
100886-R-103	Aeroeffect with air push control (air system)	52 1/8 x 56 1/2	170	87
100886-L-103	-			
100886-R-097	Combined whirlpool and aeroeffect with air push control	N/A	N/A	N/A
100886-L-097	-	Door opening: 52 1/8 x 56 1/2		

(Continued on next page)

COMMON OPTIONS

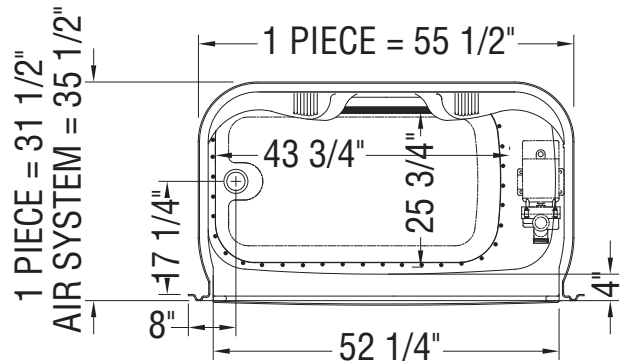
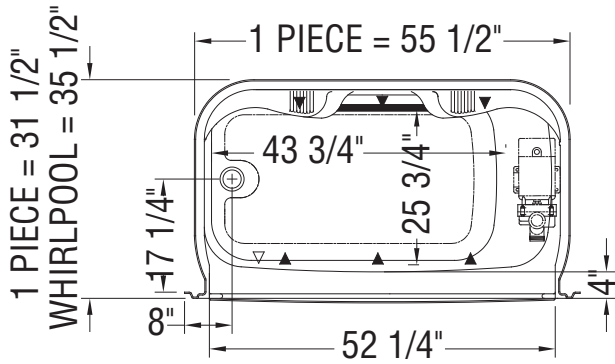
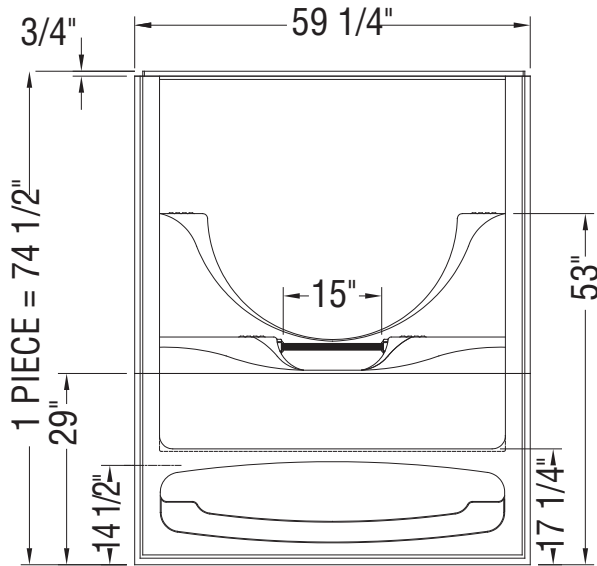
<input checked="" type="checkbox"/>	No	Description	Dimensions in. (mm)	Approx. Weight lb (kg)	PKG ft3 (m3)
<input type="checkbox"/>	OPT 10053	One chromatherapy light (factory installed)	2 3/8	2.5	N/A
<input type="checkbox"/>	OPT 10095	Water heater assembly for whirlpool (003) and combined systems (097) (factory installed)	9 X 5 X 3	2	
<input type="checkbox"/>	OPT 10106-XXX	Metal trim kit for Whirlpool (003) and combined systems (097) (factory installed) Available colors: Chrome (084), Polished Brass (085) and Brushed Nickel (105)	N/A	1.5	
<input type="checkbox"/>	OPT 20029-XXX	Metal trim kit for Aeroeffect Air Push Control (103) (factory installed) Available colors: Chrome (084), Polished Brass (085) and Brushed Nickel (105)		N/A	
<input type="checkbox"/>	OPT 20137-XXX	Waste and overflow (included in product packaging) Available colors: White (001), Bone (004), Biscuit (007), Chrome (084), Polished Brass (085) and Brushed Nickel (105)		N/A	

Accessories

<input checked="" type="checkbox"/>	No	Description	Dimensions in. (mm)	Approx. Weight lb (kg)	PKG ft3 (m3)
<input type="checkbox"/>	10004306-001	White foam cushion with 2 suction pads (sold separately)	11 1/2 X 6 1/2 X 1	1	0.27
<input type="checkbox"/>	10004520-XXX	Metal Trim Kit for Aeroeffect Air Push Control (103) (sold separately) Available colors : Chrome (084), Polished Brass (085) and Brushed Nickel (105)	N/A	0.125	N/A
<input type="checkbox"/>	10006887-XXX	Metal trim kit for Whirlpool (003) and combined systems (097) (sold separately) Available colors: Chrome (084), Polished Brass (085) and Brushed Nickel (105)		1.5	
<input type="checkbox"/>	10006923	Flexible main hose (9-ft. extension) for Air Push Control Air Massage - Kit (sold separately)	108	2.5	0.89
<input type="checkbox"/>	10022491-XXX	Waste and overflow (sold separately) Available colors: White (001), Bone (004), Biscuit (007), Chrome (084), Polished Brass (085) and Brushed Nickel (105)	N/A	N/A	N/A

Shower doors

<input checked="" type="checkbox"/>	No	Description
<input type="checkbox"/>	138301	Triple Plus - three-panel sliding door 52 1/2 in.
<input type="checkbox"/>	138900	Ultima Plus - two-panel frameless sliding door 52 -56 in.



- (▲): Indicates Whirlpool jets positioning
- (●): Indicates airjets positioning
- (△): Indicates suction positioning

All dimensions are approximate. Structure measurements must be verified against the unit to ensure proper fit.

Here are the electrical specifications for all MAAX Professional tub shower therapeutic systems offered in the United States.

PLEASE NOTE THAT SOME SYSTEMS MAY NOT BE AVAILABLE ON THE PRODUCT YOU HAVE SELECTED.

Please refer to the *Common Options* and *Massage System(s)* sections for more details.

WHIRLPOOL	
Pump: Requires a dedicated circuit protected by a Class A GFCI. This circuit can be shared with Chromatherapy (option).	
Heater: Requires a dedicated circuit protected by a Class GFCI.	
Pump	3/4HP / 120V / 7.5A / 60Hz
Heater	1500W / 120V / 12.5A / 60Hz

AEROEFFECT WITH AIR PUSH CONTROL	
Blower: Requires a dedicated circuit protected by a Class A GFCI. This circuit can be shared with Chromatherapy (option).	
Blower	1.4 HP / 120V / 9.5A / 60Hz

COMBINED WHIRLPOOL / AEROEFFECT WITH AIR PUSH CONTROL (W/A)	
Blower: Requires a dedicated circuit protected by a Class A GFCI.	
Pump: Requires a dedicated circuit protected by a Class A GFCI. This circuit can be shared with Chromatherapy (option).	
Heater: Requires a dedicated circuit protected by a Class A GFCI.	
Blower	1.4 HP / 120V / 9.5A / 60Hz
Pump	3/4HP / 120V / 7.5A / 60Hz
Heater	1500W / 120V / 12.5A / 60Hz

CHROMATHERAPY
Requires a dedicated circuit protected by a Class A GFCI.

Installation Note

Install this product according to the *Installation Guide*.

All electrical wiring must be done per national/local electrical codes.