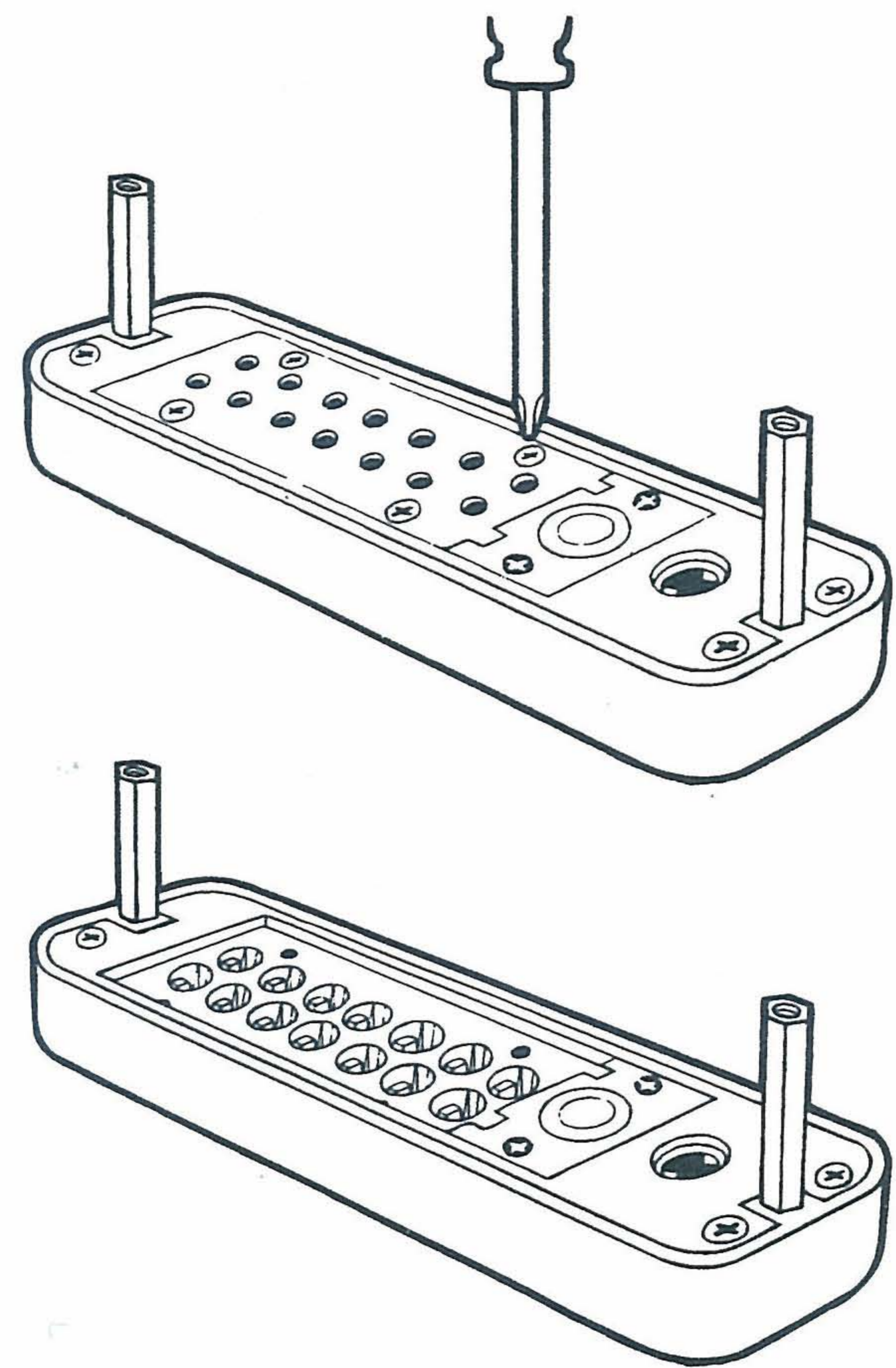


DIGITAL DOOR LOCK

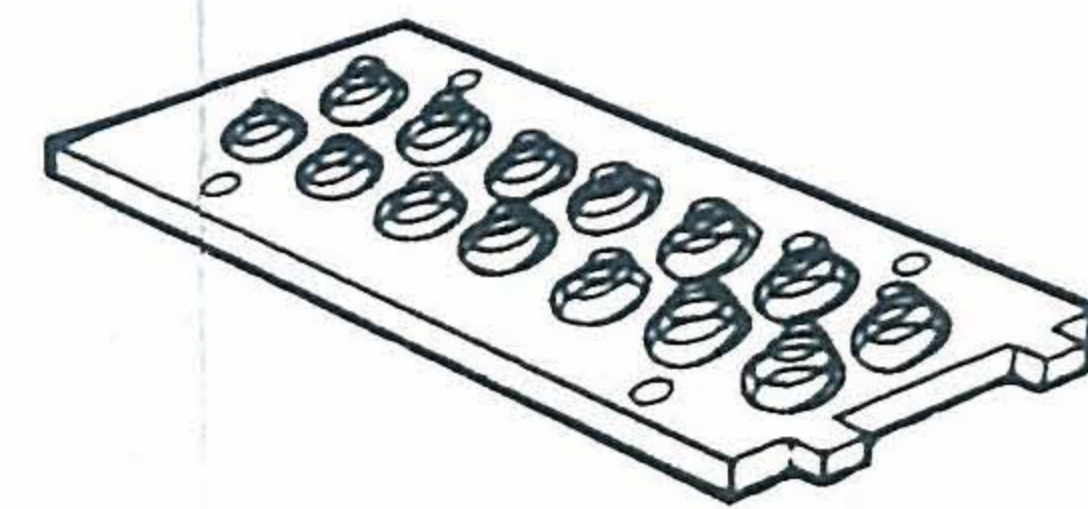
HOW TO CHANGE THE CODE

1



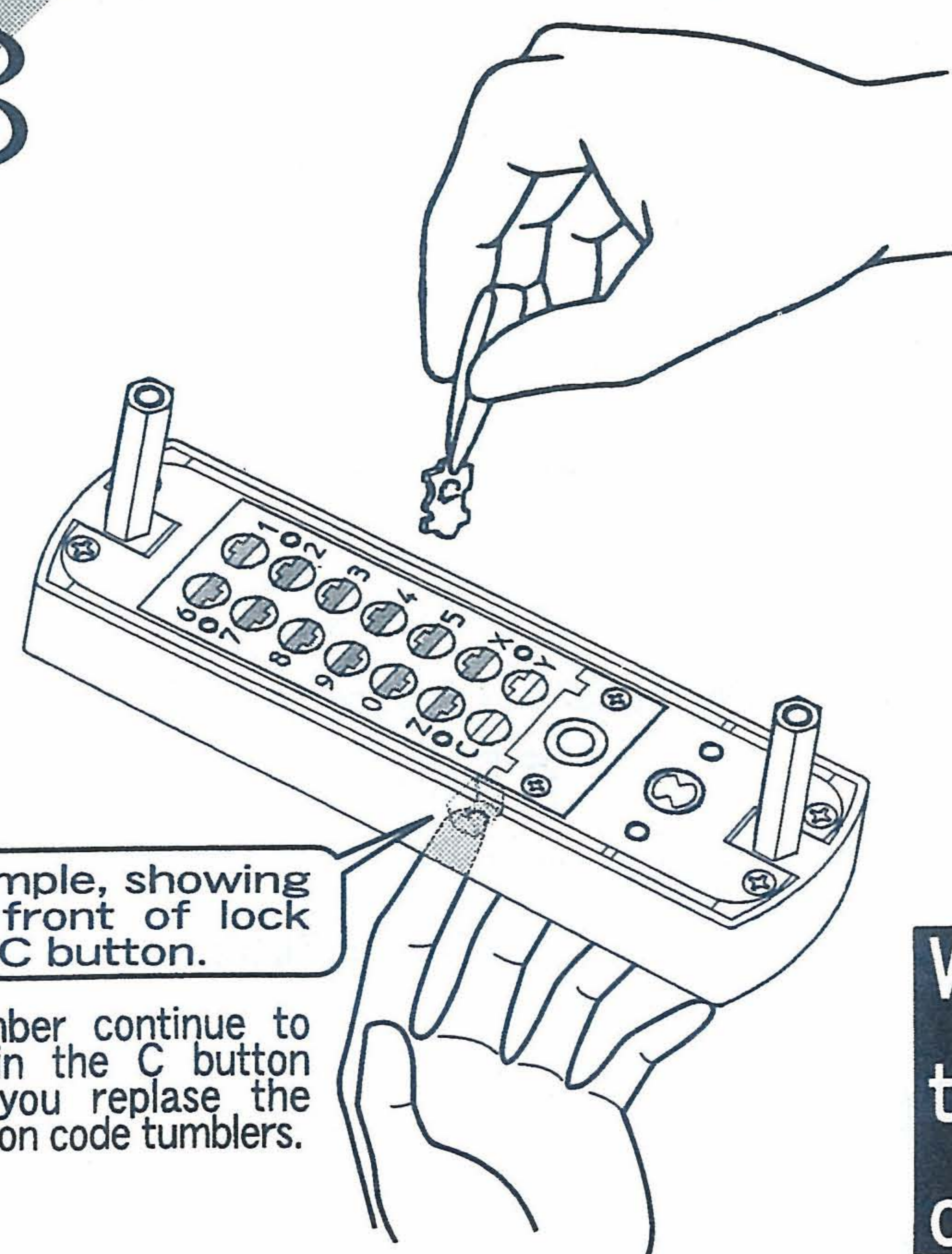
Failure to follow the instructions could result in damage to your lock so please read carefully

Hold the outside body in the horizontal position. Remove the 4 red screws. Carefully remove the plate, as there are many springs attached to it.



YOU MUST PRESS IN THE C BUTTON FROM THE UNDERNEATH UNTIL YOU HAVE COMPLETED THE CODE CHANGE, AS IT IS IMPOSSIBLE TO LIFT OUT OR INSERT THE CODE TUMBLERS IF YOU DON'T. FORCING THEM WILL DAMAGE THE LOCK.

3



There are blue tumblers (non-code) and red tumblers (code). Your code is made up from the red tumblers always prefixed by C to clear. (Never remove the C tumbler).

Whilst continuing to press in the C button and using the tweezers provided lift out the code/non code tumblers you wish to change.

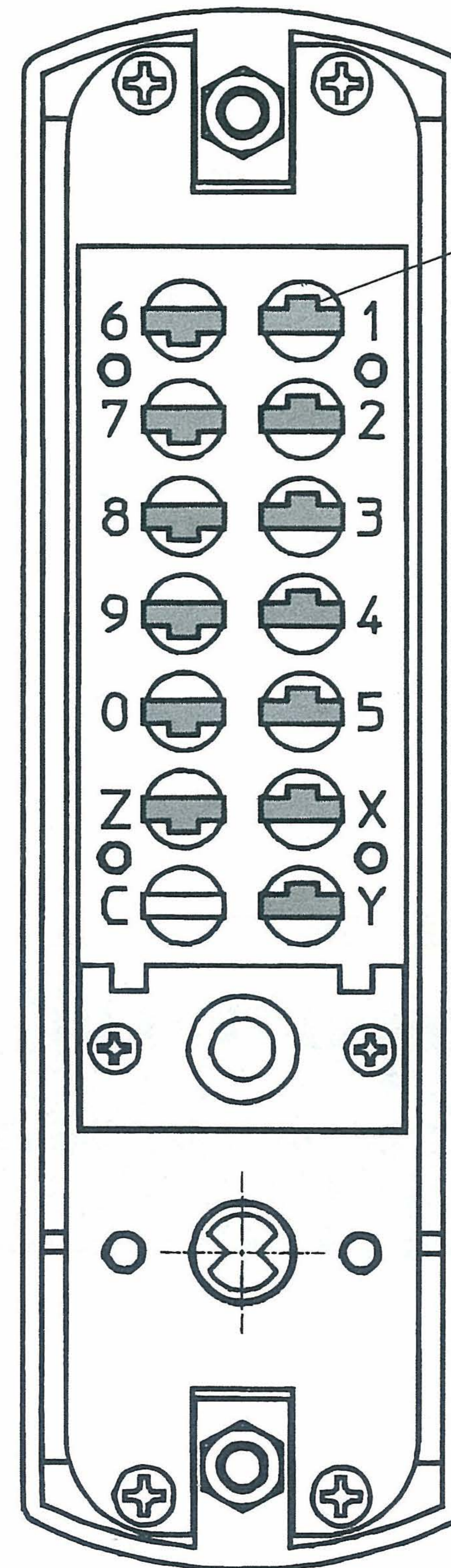
When you re-insert the code/non code tumblers for your new code you must continue to press in the C button.

Example, showing the front of lock and C button.

Remember continue to press in the C button when you replace the code/non code tumblers.

4

While pressing in the C button make sure that the coloured top end of the tumbler is facing up wards. Match the  of the tumbler to the exact cut insert of the body.

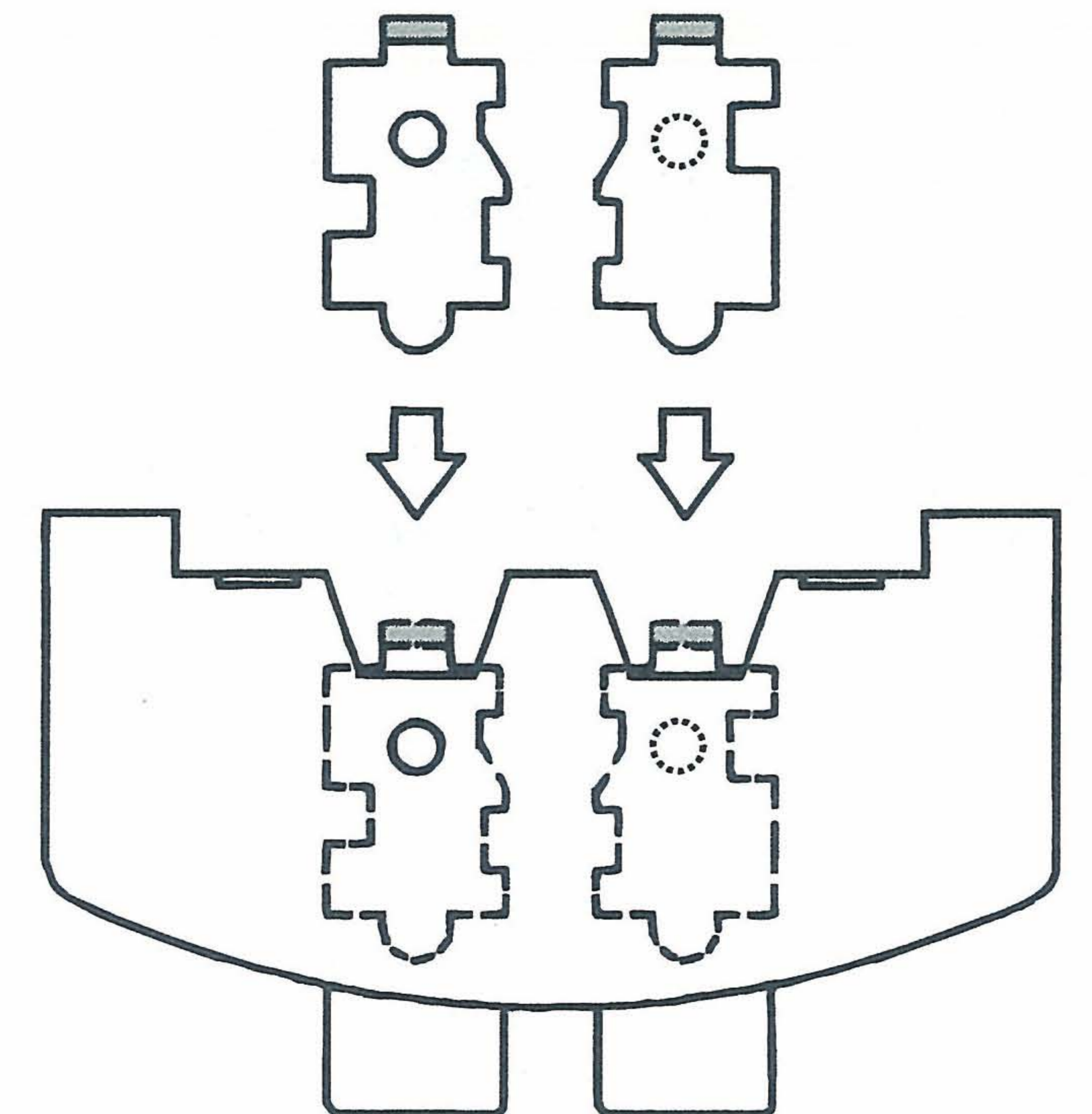
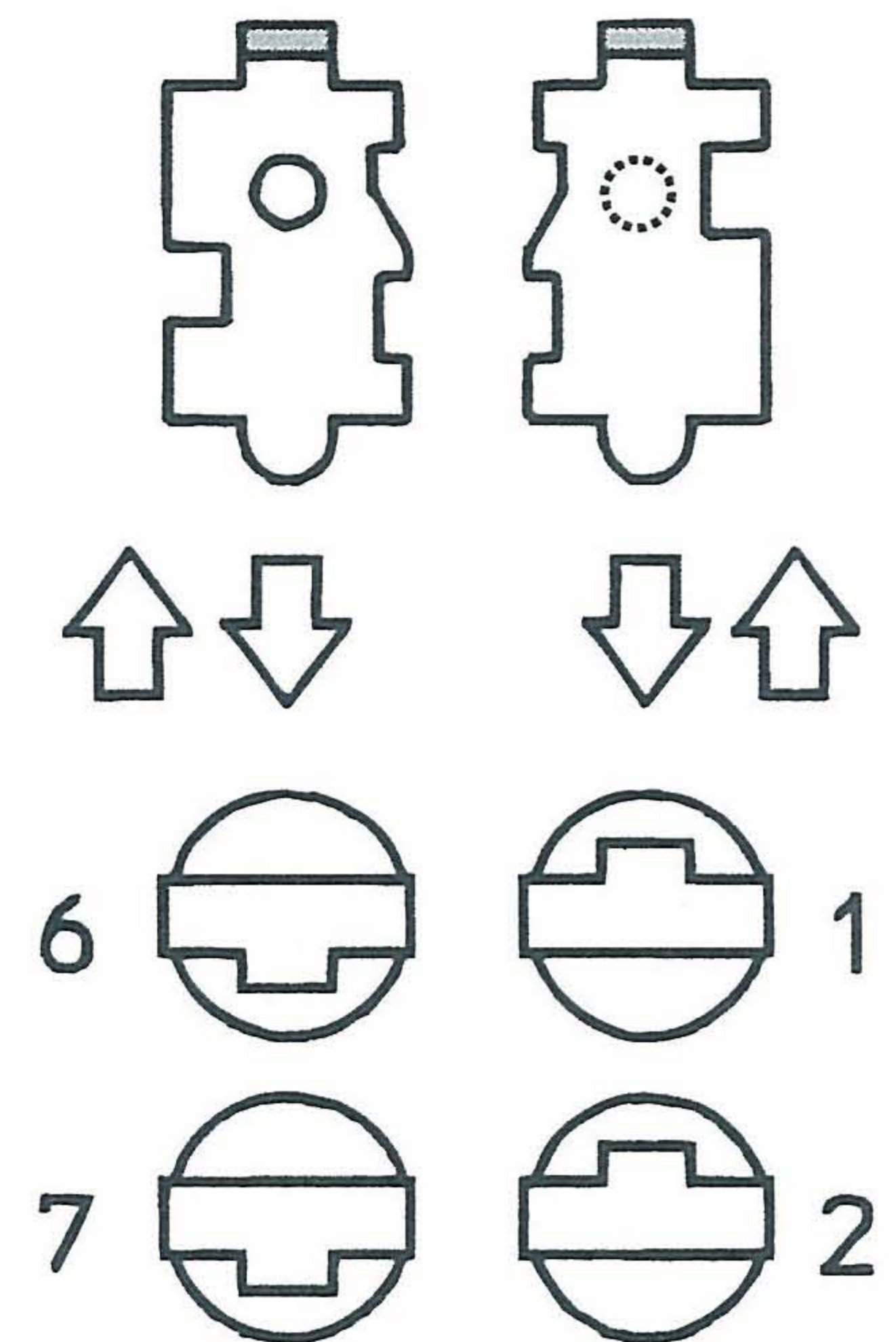


Cut

Example;

The code is made up of the numbers which have the red tumblers inserted next to, this shows C2469X.

Remember the red tumblers are the code and the blue tumblers are non-code.



Using the tumblers provided you can change your code from a 3 digit number up to a 7 digit number, always prefixed by C to clear.

To increase, remove the blue and add the red.

To decrease remove the red and add the blue.

(If you insert a tumbler in the wrong position, press in the C button and lift the tumbler out).

5

When you have completed changing your code release the C button and replace the plate carefully.

Always test your new code before installing/re-installing your lock to the door.