

ASSEMBLING & INSTALLATION INSTRUCTIONS PRODUCT# 4742 4743 OUTDOOR WALL MOUNT LIGHT FIXTURE

WARNING! SHUT POWER OFF AT FUSE OR CIRCUIT BREAKER .

MOUNTING THE FIXTURE

Installation (see fig.1)

1. Shut off the power at the circuit breaker and remove old fixture, including the cross bar.
2. Carefully unpack new fixture and lay all the parts on a clear surface. Take care not to lose any small parts necessary for installation.
3. Attach the mounting screw part way into the side hole of the crook cross bar, then lock it securely with hex nut until becoming. Attach the cross bar to the junction box using two box screws. The side of the cross bar marked "GND" must face out.
4. Follow wiring instructions carefully (see fig.2)
5. Attach the column(B) onto the top coupling of the lamp body(F), by turning it clockwise until tight. Attach the arm(D) mounted onto the top lamp body of side, lock it securely with the ball nut(C) and finial(E). Attach the end arm(A) hook the top loop of the column(B), aligning a other end of the arm(A) small hole with the backplane's hole, lock it securely with the screws(J) and hex nuts(I). Raise the candle sleeve(G) inset cup of the lamp holder.
6. Attach the back plate of the lamp body(F) onto the junction box, aligning screws on cross bar with mounting holes and lock it securely with the ball nuts(H)
7. Install the light bulbs in accordance with the fixture's specifications. **DO NOT EXCEED THE MAXIMUM WATTAGE RATING!**
8. **With silicone caulking compound, caulk completely around where back of cover meets with the wall surface to prevent water from seeping into outlet box.**

Wiring (see fig.2)

1. Connect the electrical wires as follows. Connect the black wire from the fixture to the black house (hot) Wire. Connect the white wire from the fixture to the white (neutral) house wire. Make sure all wire nuts are secured. You may wrap the connections with electrical tape. If your outlet box has a ground wire (green or bare copper) connect fixture's ground wire to it. Otherwise attach the bare copper fixture wire to the green ground screw on the cross bar.
2. Tuck the wire connections neatly into the wall junction box.

Fig.1

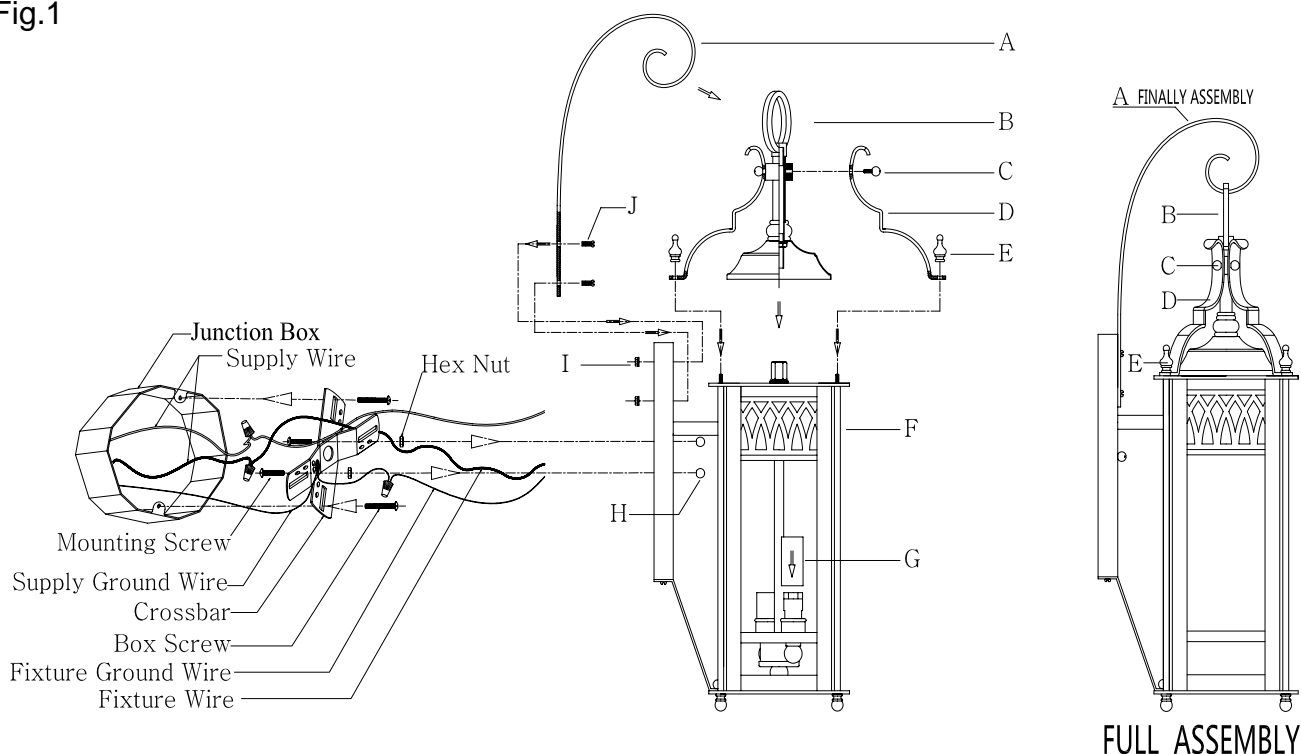


Fig.2

