

INSTALLATION INSTRUCTIONS FOR 8906-65

For Outdoor Wall Mount Fixture

WARNING! SHUT POWER OFF AT FUSE OR CIRCUIT BREAKER.

Installation (see fig.1)

1. Disconnect power at main electrical panel before installation.
2. Mount the back plate to the wall with the plastic anchors, the wood screw (N) and the two box screw (O). The side of the back plate marked "GND" must face out.
3. Insert the arm (C) to the arm of the body (A), and the pipe of the body (G), then tighten it with the screw (B), put the plastic washer (E) onto the pipe, then tighten it with the finial (D)
4. Pull fixture wires through hole in center of back plate.
5. Follow wiring instructions carefully (see fig.2)
6. Mount fixture by aligning mounting holes in fixture back plate with mounting screws and threading ball nuts (F) onto mounting screws.
7. Thread pipe (J) into center coupling of the harp (H) and tighten it with nut (I).
8. Attach the harp (H) to the fixture body (G) by turning it clockwise until tight.
9. Install the light bulbs in accordance with the fixture's specifications.
DO NOT EXCEED THE MAXIMUM WATTAGE RATING!
10. Put the glass shade (K) onto the body (G) and make the pipe (J) cross the center hole of the glass shade. Then attach the cover (L) and tighten it firmly with finial (M).
11. With silicone caulking compound, caulk completely around where back of cover meets with the wall surface to prevent water from seeping into outlet box.

Wiring (see fig.2)

1. Connect the electrical wires as follows.
Connect the Black wire from the fixture to the black house (hot) Wire. Connect the white wire from the fixture to the white (neutral) house wire. Make sure all wire nuts are secured. You may wrap the connections with electrical tape. If your outlet box has a ground wire (green or bare copper) connect fixture's ground wire to it. Otherwise attach the bare copper fixture wire to the green ground screw on the mounting plate.
2. Tuck the wire connections neatly into the wall junction box.

Fig.1

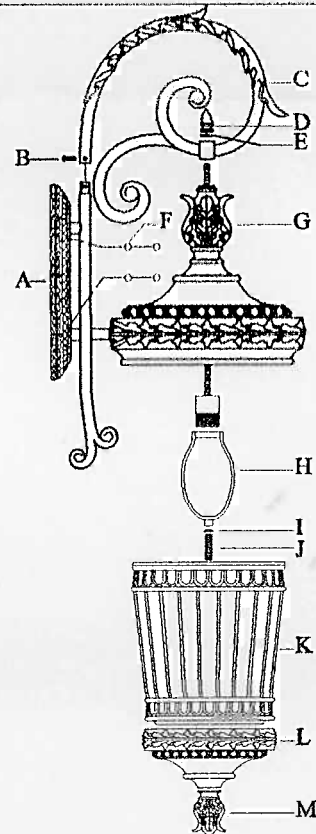
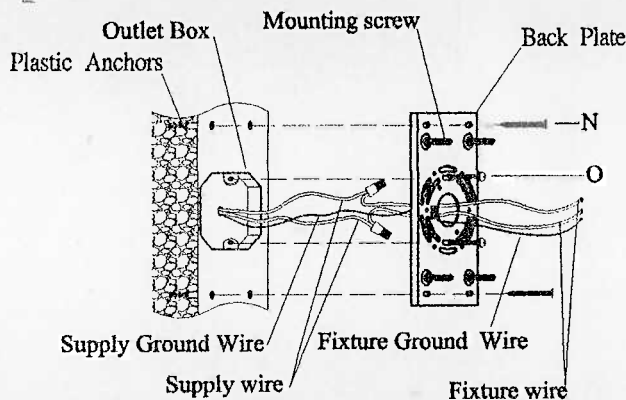
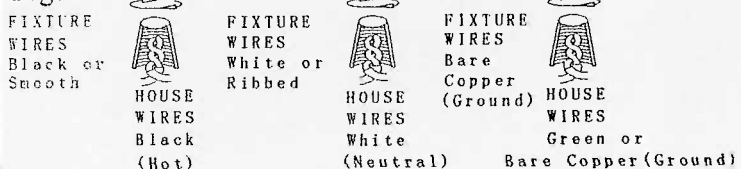


Fig.2



MIN 90°C SUPPLY CONDUCTORS



Livex Lighting