

ASSEMBLING & INSTALLATION INSTRUCTIONS PRODUCT# 8309-57

For Semi Flush Mount Ceiling Fixtures

WARNING! SHUT POWER OFF AT FUSE OR CIRCUIT BREAKER .

ASSEMBLING THE FIXTURE (Fig.1).

1. Shut off the power at the circuit breaker box. Remove old fixture and all hardware from Junction Box.
2. Carefully unpack your new fixture and lay out all the parts on a clear area. Take care not to lose any small parts necessary for installation.
3. Thread the two Studs (A) about 1/4" into the pre-drilled holes in the Mounting strap spaced the same distance apart as the holes in the canopy (B).
4. Attach the Mounting strap to the Junction Box with the two Junction Box Screws as shown. The side of the Mounting strap marked "GND" must face out.
5. While holding the column assembly towards the ceiling, connect the electrical wires as Shown in Fig.2, making sure that all wire nuts are secured. You may have to wrap the connections with electrical tape. If your outlet has a ground wire (green or bare copper), connect the fixture ground wire to it. Otherwise connect fixture's ground wire directly to the Mounting strap with the green screw provided. After wires are connected, tuck them carefully inside the Junction Box.
6. Put the lamp body (B) onto the junction box, aligning screws on the Mounting strap with mounting holes in canopy and lock it securely with the ball (I).
7. Thread the nipple (D) into the hickey located on the bottom of the fixture body (B) then screw it with the hex nut (C).
8. Install the light bulbs in accordance with the fixture specifications **NOTE: DO NOT EXCEED THE SPECIFIED WATTAGE!**
9. Put the glass shade (E) onto the lamp body (B), protrude the nipple (D) from the hole of the glass shade (E) then screw it with brass nut (F).
10. Attach the finial base (G) to the end of nipple (D) and tighten firmly with the finial (H).

Your installation is now complete. Return power to the junction box and test the fixture.

Fig.1

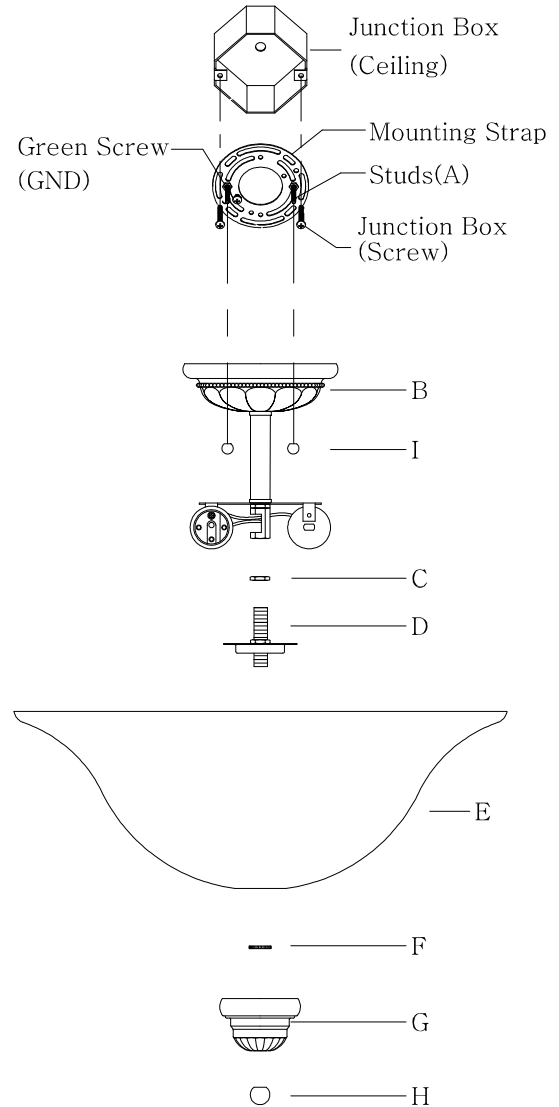


Fig.2

