

ASSEMBLING & INSTALLATION INSTRUCTIONS PRODUCT#5041 CHAIN HANG FIXTURE

WARNING! SHUT POWER OFF AT FUSE OR CIRCUIT BREAKER .

ASSEMBLING THE FIXTURE (Fig.2)

1. Thread the pipe nipple (F) into bottom center of the hooks frame (E)., raise the lower socket frame (I) to bottom center of the pipe nipple (F), by turning it clockwise until tight
2. Place the socket sleeve (H) onto the socket.
3. Install the light bulbs in accordance with the fixture specifications
NOTE: DO NOT EXCEED THE SPECIFIED WATTAGE!
4. Hook the end of arms (G) to the frame 's hooked and the glass's hooked.

HANGING THE FIXTURE (Fig.1)

1. Shut off the power at the circuit breaker and remove old fixture from ceiling, including the old single bar.
2. Carefully unpack new fixture and lay all the parts on a clear surface.
3. Thread the two mounting screws about 1/4" into the pre-drilled holes in the single bar spaced the same distance apart as the holes in the fixture canopy (A).
4. Install the single bar to the Junction Box with the two Junction Box Screws as shown. The side of the single bar marked "GND" must face out.
5. While holding the canopy and lamp cluster towards the ceiling, connect the electrical wires as Shown in Fig.3, making sure that all wire connectors are secured. You may have to wrap the connections with electrical tape. If there is a Ground Wire (green or bare copper) in your outlet box, connect the fixture's Ground Wire to it. Otherwise connect fixture's ground wire directly to the mounting strap with the Green Screw provided. After wires being connected, tuck them carefully inside the Junction Box.
6. Then cover the junction box with canopy (A), aligning the Screw of mounting plate with the hole of canopy and lock it with brass ball nut(B).
7. Open one the end link of the chain provided and connect to the fixture loop (D). Close the link.
8. Lace the fixture wires through the chain.
9. Open the other end link of the chain and hang the fixture on the loop at the ceiling. Close the link.
10. Lace the fixture wires, ground wires through the loop and canopy (A) and pull until taut.

Your installation is now complete Return power to the junction box and test the fixture.

Fig.1

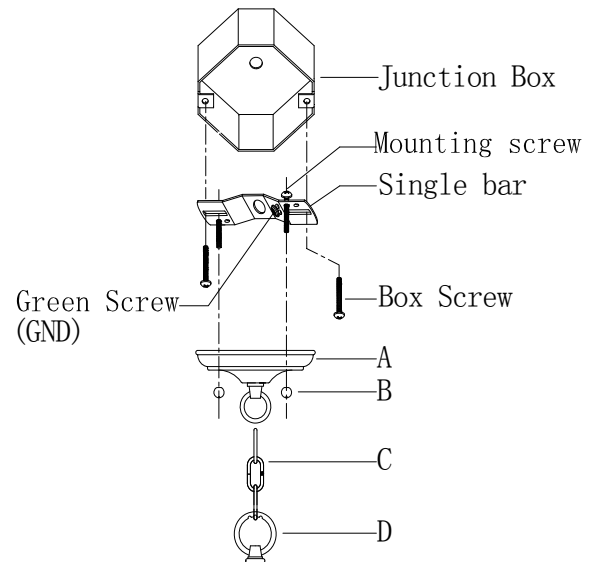


Fig.2

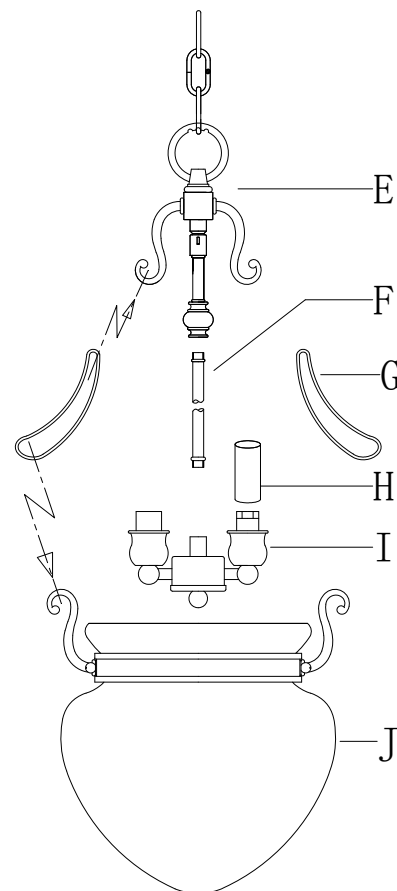


Fig.3

FIXTURE WIRES Black or Smooth		FIXTURE WIRES White or Ribbed		FIXTURE WIRES Bare Copper (Ground)	
HOUSE WIRES Black (Hot)		HOUSE WIRES White (Neutral)		HOUSE WIRES Green or Bare Copper (Ground)	

ASSEMBLING & INSTALLATION INSTRUCTIONS PRODUCT# 5041 CEILING MOUNT FIXTURE

WARNING! SHUT POWER OFF AT FUSE OR CIRCUIT BREAKER .

MOUNTING THE FIXTURE (Fig.1)

1. Shut off the power at the circuit breaker box. Remove old fixture and all hardware from Junction Box.
2. Carefully unpack your new fixture and lay out all the parts on a clear area. Take care not to lose any small parts necessary for installation.
3. Thread the two mounting screws about 1/4" into the pre-drilled holes in the single bar spaced the same distance apart as the holes in the fixture canopy (A).
4. Install the single bar to the Junction Box with the two Junction Box Screws as shown. The side of the single bar marked "GND" must face out.
5. While holding the column assembly towards the ceiling, connect the electrical wires as Shown in Fig.2, making sure that all wire nuts are secured. You may have to wrap the connections with electrical tape. If your outlet has a ground wire (green or bare copper), connect the fixture ground wire to it. Otherwise connect fixture's ground wire directly to the Mounting strap with the green screw provided. After wires are connected, tuck them carefully inside the Junction Box.
6. Attach the canopy (A) and the washer (D) to the center of the frame (E), then lock the canopy (A) with the hex nut (C).
7. Thread the pipe nipple (F) into bottom center of the hooks frame (E), raise the lower socket frame (I) to bottom center of the pipe nipple (F), by turning it clockwise until tight
8. Place the socket sleeve (H) onto the socket.
9. Install the light bulbs in accordance with the fixture specifications **NOTE: DO NOT EXCEED THE SPECIFIED WATTAGE!**
10. Hook the end of arms (G) to the frame's hooked and the glass frame's hooked.
11. Put the canopy (A) to the Junction box, aligning screws on single bar with mounting holes in canopy and lock it securely with ball nut (B).

Your installation is now complete Return power to the junction box and test the fixture.

Fig.1

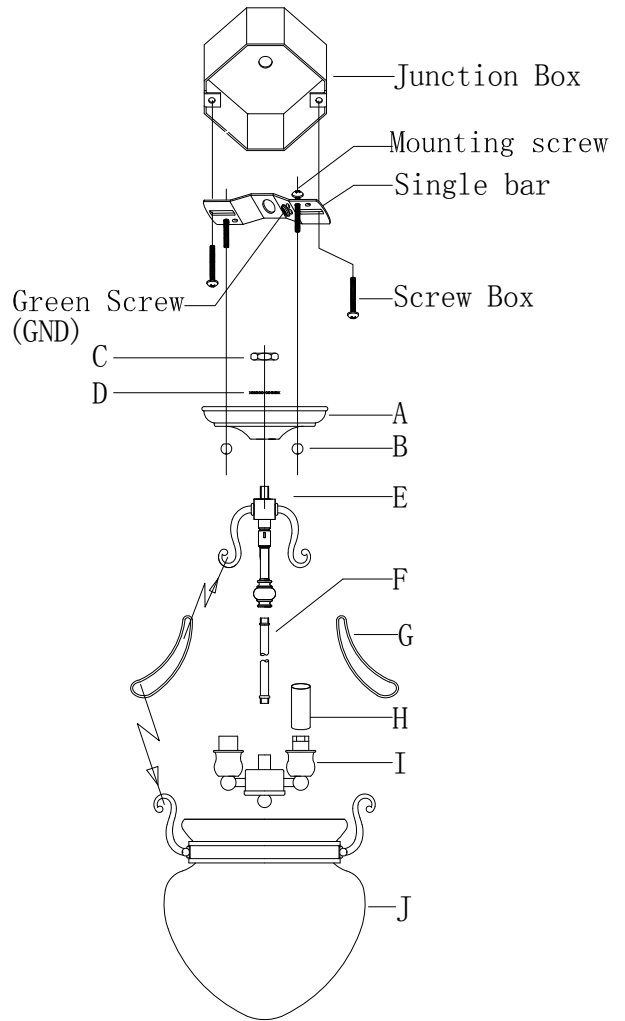


Fig.2

