

ASSEMBLING & INSTALLATION INSTRUCTIONS PRODUCT#8106 6006

For Ceiling Mount Lighting Fixtures

WARNING! SHUT POWER OFF AT FUSE OR CIRCUIT BREAKER .

ASSEMBLING THE FIXTURE (Fig.1)

1. Shut off the power at the circuit breaker box. Remove old fixture and all hardware from Junction Box.
2. Carefully unpack your new fixture and lay out all the parts on a clear area. Take care not to lose any small parts necessary for installation.
3. Thread the two studs (A) into the pre-drilled holes in the Mounting plate spaced the same distance apart as the holes in the canopy (A).
4. Attach the Mounting plate to the Junction Box with the two Junction Box Screws as shown. The side of the Mounting plate marked "GND" must face out.
5. Attach the ring (D) onto the glass shade (E), and raise the glass shade (E) to bottom of the socket, and then lock it securely with the screws (C) until snug.
6. While holding the canopy (A) assembly towards the ceiling, connect the electrical wires as Shown in Fig.2, making sure that all wire nuts are secured. You may have to wrap the connections with electrical tape. If your outlet has a ground wire (green or bare copper), connect the fixture ground wire to it. Otherwise connect fixture's ground wire directly to the Mounting strap with the green screw provided. After wires are connected, tuck them carefully inside the Junction Box.
7. Attach the canopy (A) to the outlet box, aligning screws on mounting plate with mounting holes in canopy and lock it securely with the ball nut (B).
8. Install the light bulbs in accordance with the fixture's specifications. **NOTE: DO NOT EXCEED THE SPECIFIED WATTAGE.**

Your installation is now complete Return power to the junction box and test the fixture.

Fig.2




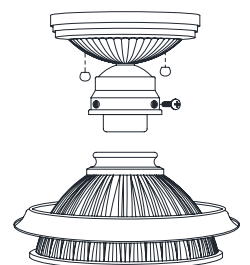
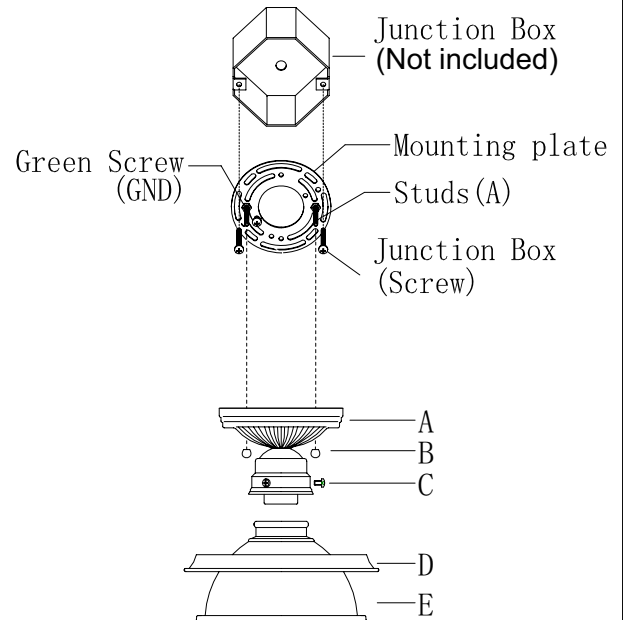
<p>FIXTURE WIRES Black or Smooth</p> 	<p>FIXTURE WIRES White or Ribbed</p> 	<p>FIXTURE WIRES Bare Copper (Ground)</p> 
<p>HOUSE WIRES Black (Hot)</p>	<p>HOUSE WIRES White (Neutral)</p>	<p>HOUSE WIRES Green or Bare Copper (Ground)</p>

Fig.1



6006

MIN 90°C SUPPLY CONDUCTORS

LIVEX[®]
LIGHTING
EST. 1993

DOC20141208106