

ASSEMBLING & INSTALLATION INSTRUCTIONS PRODUCT# 7709 OUTDOOR POST LIGHT MOUNT ADAPTERS

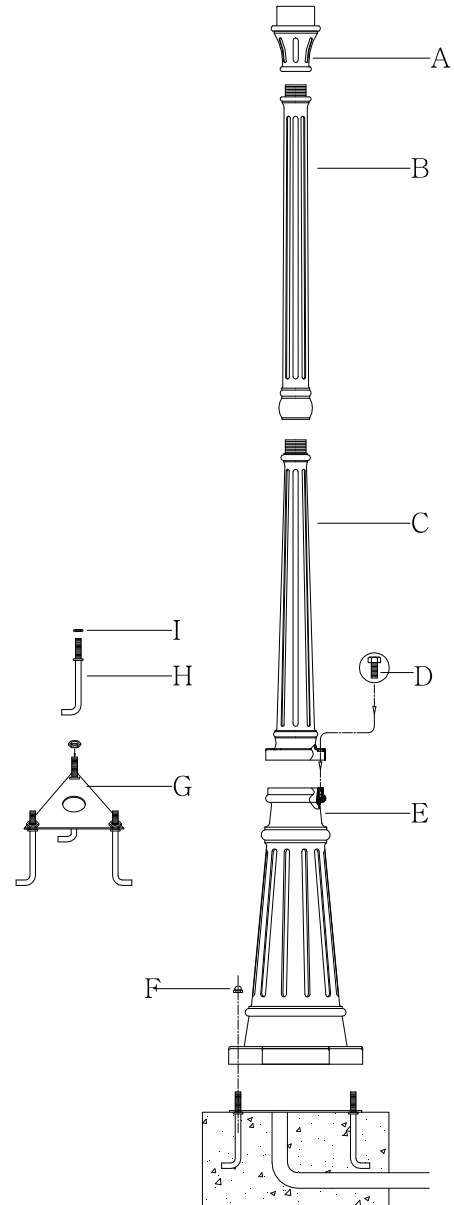
WARNING! SHUT POWER OFF AT FUSE OR CIRCUIT BREAKER .

ASSEMBLING THE FIXTURE (Fig.1).

***Shut off the power at the circuit breaker and remove old fixture, including the old small hardware.**

1. Carefully unpack new fixture and lay all the parts on a clear surface. Take care not to lose any small parts necessary for installation.
2. Screw the chapter(A), pole(B) and (C) together tightly.
3. Put the pole(E) onto the concrete base using the mounting knob(F).
 - A. The depth of the base will depend on local soil conditions and frost line. The diameter of the base should be 305mm in order to hold the anchor bolts on the plate.
 - B. Take the three bolts(H) and run a hex nut(I) fully down each part of the threaded section. Insert the bolt(H) to the template(G) and secure with the second hex nuts.
 - C. Mix and pour the concrete into the former until it reaches the top. Push the assembly into concrete until the plate are 0.25 inches above the concrete .Leaving 2.5 inches of the thread above the concrete.
 - D. It is important to level the template before the concrete sets.
4. Install the fixture together with the pole assembly onto the pole(E),secure them using the machine screws(D).

Fig.1



LIVEX[®]
LIGHTING
EST. 1993

DOC20141207709