

# Industrial

## B50S Series



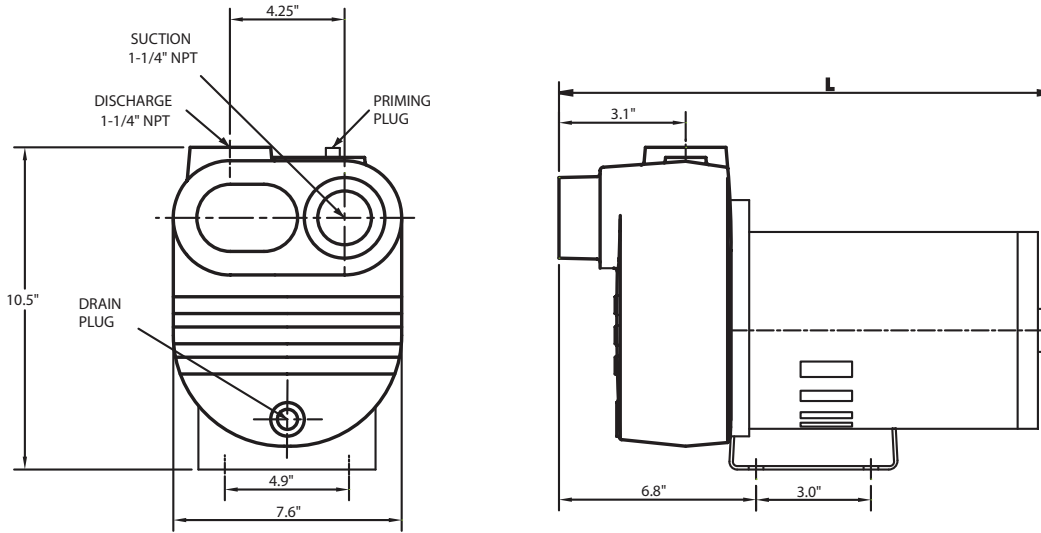
### Applications

- The B50S pump is a self-priming utility pump. It is constructed of durable cast iron which makes it last long in a variety of applications.

### Features

- 1/2 hp higher than NEMA standard service factor, dual compartment reliable industry standard
- Casing made of rugged cast iron with a large chamber for rapid self priming
- Carbon/ceramic mechanical seal
- Semi-open, cast iron impeller
- Built-in suction check valve
- Includes garden hose adapter
- 8' power cord

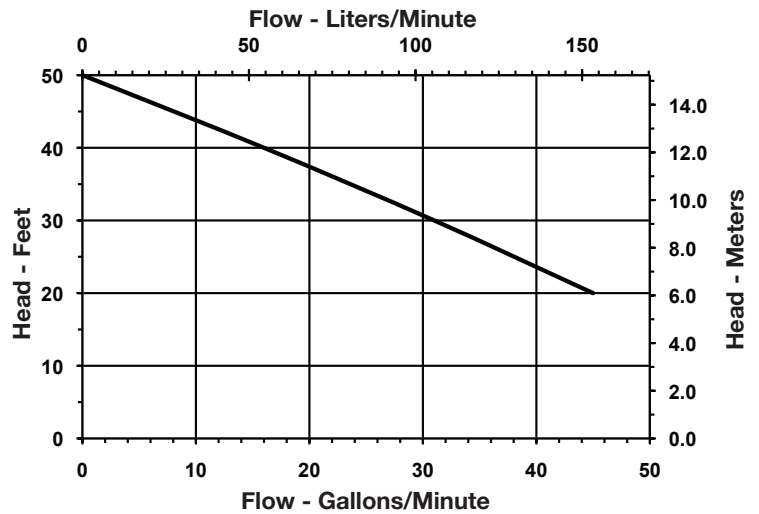
## Engineering Data



## Specifications

Model No.	Item No.	HP	Volts	Discharge	RPM	Performance (gpm @ head)				Suct. NPT	Length	Width	Height	Weight (lbs)
						20'	30'	40'	50'					
621814	B50S	1/2	1/60/115/230 Capacitor Start	1-1/4"	3450	45	31	16	0	1-1/4"	7.5	9.87	7.62	43

## Performance Data



**Franklin Electric**

P.O. Box 12010  
 Oklahoma City, OK 73157-2010  
 Phone: 1.800.701.7894  
 Fax: 1.800.678.7867  
 www.LittleGiantPump.com