

# Wastewater

## FLS-400 Series



### Applications

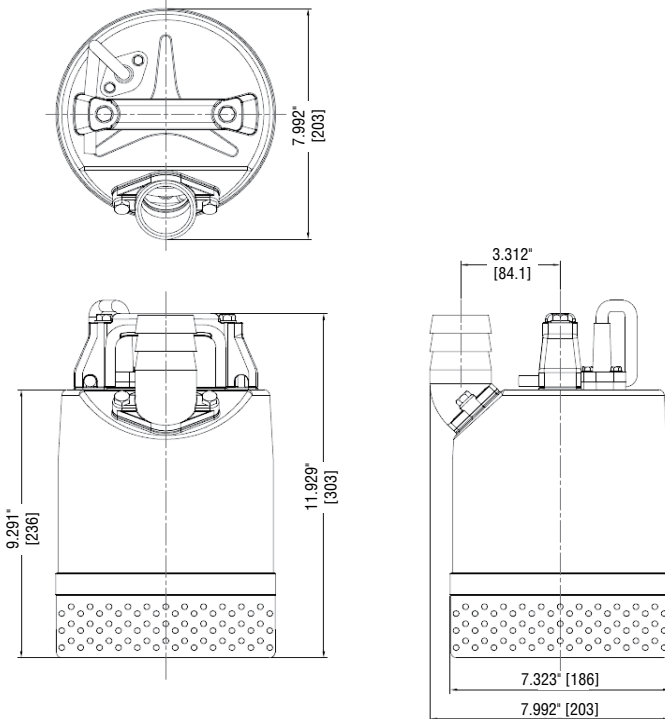
- Portable submersible pump for general construction dewatering.

### Features

- Permanent split capacitor (PSC) motor with thermal overload protection. Upper and lower permanently lubricated ball bearings for reliability
- Corrosion-resistant stainless steel motor shaft
- Stainless steel shell and suction strainer
- 2" NPT discharge
- Double mechanical seals (lower - silicon carbide, upper - carbon on ceramic)
- Urethane rubber semi-vortex impeller for maximum durability
- 20' power cord sealed at motor housing

## Engineering Data

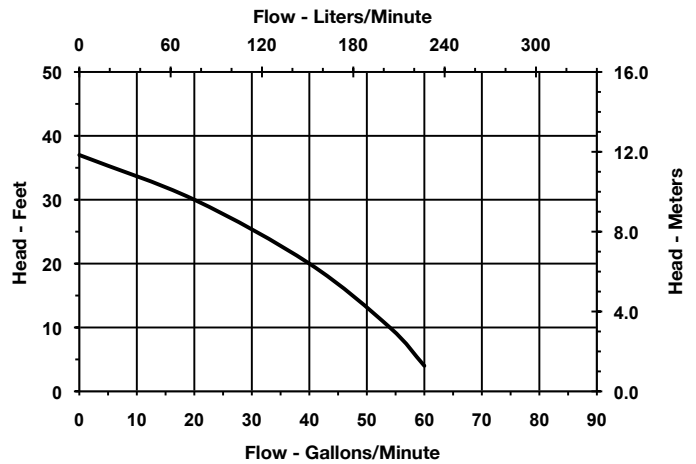
\*Dimensions measured in inches [mm]



## Specifications

Item No.	Model No.	Listing	HP	Volts	FLA	PH.	RPM	Discharge	Performance (gpm @ head)				Shut-Off Head (ft)	Cord Length (ft)	Switch	Ship Wt. (lbs)
									4'	10'	20'	30'				
620240	FLS-400	cCSAus	1/2	115	5	1	3450	2" NPT	60	54	42	20	37	20	Manual	24

## Performance Data



P.O. Box 12010  
 Oklahoma City, OK 73157-2010  
 Phone: 1.800.701.7894  
 Fax: 1.800.678.7867  
 www.LittleGiantPump.com



©2011 Franklin Electric Co., Inc.  
 Little Giant® is a registered trademark of Franklin Electric Co., Inc.  
 Form 996165 — 05/11