

Wastewater

9EN Series



9EN-CIA-SFS

9EN-CIA-RF



9EN-CIM

Applications

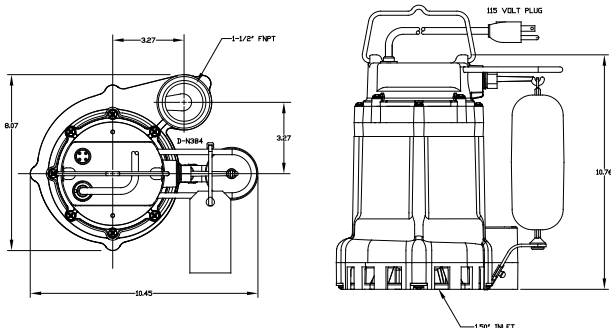
- Little Giant 9EN Series Effluent Pumps are rated for continuous duty in dewatering, water transfer, and effluent wastewater removal applications

Features

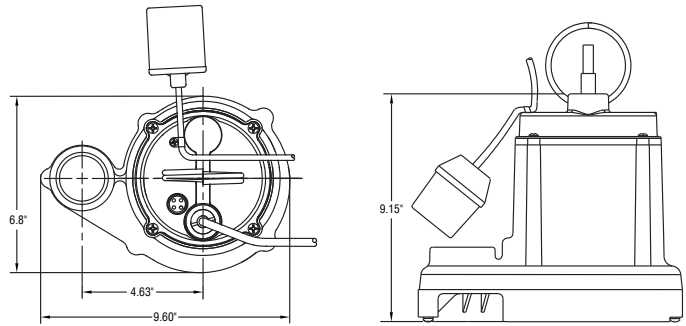
- 4/10 hp PSC motor with thermal overload protection
 - Energy saving low amp draw
 - Cooler running motor which extends the life of the pump
- Cast iron pump housing with protective epoxy coating for corrosion and rust resistance, polypropylene base
- Stainless steel screws, bolts and handle
- Mechanical seals (stainless steel spring, nitrile parts, carbon and ceramic faces)
- Upper sintered sleeve and lower ball bearing
- 1-1/2" FNPT discharge
- Fully submersible
- Handles liquid and solid waste materials up to 3/4" diameter
- Available in manual or automatic operation:
 - Piggyback mechanical float switch
 - On level 9" - 14"
 - Off level 2" - 6"
 - Integral Float Switch
 - On level 7" - 10"
 - Off level 2" - 5"
- Two year warranty

LittleGIANT®

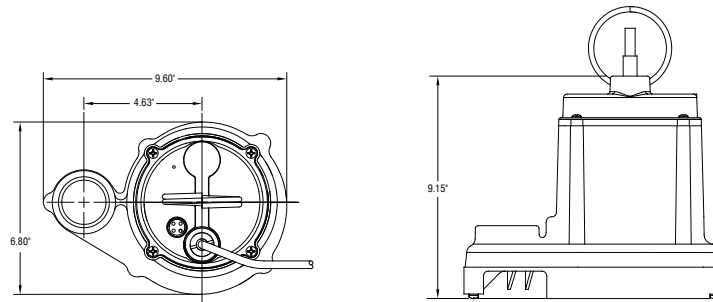
Engineering Data



9EN-CIA-SFS



9EN-CIA-RF



9EN-CIM

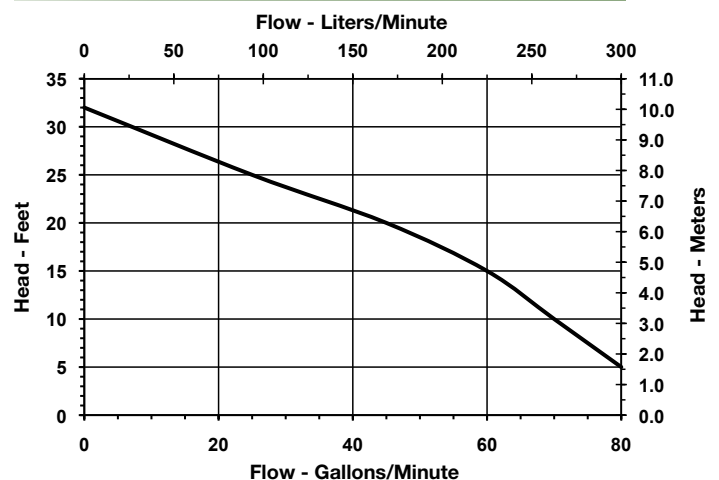
Specifications

Item	Model	Listing (S)	HP	Volts	Solids Size (dia. In.)	Running Amps/Watts	Performance GPM @ Head					Shut Off (ft)	PSI	Cord Length	Weight (lbs)	Dimensions		
							5'	10'	15'	20'	25'					H	X	L X W (in)
509260	9EN-CIA-SFS	cCSAus	4/10	115	3/4"	9.0/920	80	70	60	45	25	32	14.1	20'	27.5	10.76	10.45	8.07
509261	9EN-CIA-SFS	cCSAus	4/10	115	3/4"	9.0/920	80	70	60	45	25	32	14.1	30'	28.5	10.76	10.45	8.07
509209	9EN-CIA-RF	cCSAus	4/10	115	3/4"	9.0/920	80	70	60	45	25	32	14.1	20'	27.5	9.15	9.6	6.8
509210	9EN-CIA-RF	cCSAus	4/10	115	3/4"	9.0/920	80	70	60	45	25	32	14.1	30'	28.5	9.15	9.6	6.8
509207	9EN-CIM	cCSAus	4/10	115	3/4"	9.0/920	80	70	60	45	25	32	14.1	20'	26.5	9.15	9.6	6.8
509208	9EN-CIM	cCSAus	4/10	115	3/4"	9.0/920	80	70	60	45	25	32	14.1	30'	27.5	9.15	9.6	6.8

Construction

Cover	Epoxy-coated cast iron
Motor Housing	Epoxy-coated cast iron
Impeller Material	Thermoplastic Elastomer
Impeller Type	Non-clog
Volute	Epoxy-coated cast iron
Power Cord	SJTW
Mechanical Shaft Seal	Nitrile with carbon and ceramic faces
Fasteners	Stainless Steel
Shaft	Steel
Bearings	Upper sintered sleeve and lower ball bearing

Performance Data



P.O. Box 12010
Oklahoma City, OK 73157-2010
Phone: 1.800.701.7894
Fax: 1.800.678.7867
www.LittleGiantPump.com