

# Wastewater

## 9SN Series



### Applications

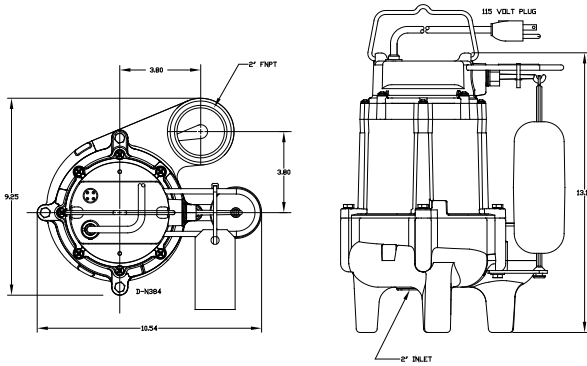
- Little Giant 9SN Series Sewage Pumps are rated for continuous duty in effluent and sewage wastewater transfer applications

### Features

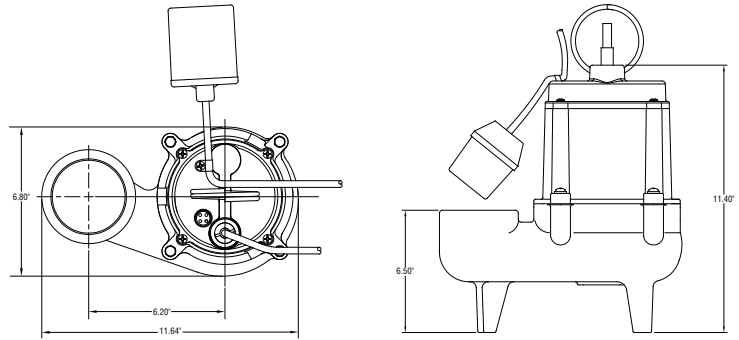
- 4/10 hp PSC motor with thermal overload protection
  - Energy saving low amp draw
  - Cooler running motor which extends the life of the pump
- Cast iron pump housing with protective epoxy coating for corrosion and rust resistance
- Stainless steel screws, bolts and handle
- Mechanical seals (stainless steel spring, nitrile parts, carbon and ceramic faces)
- Upper sintered sleeve bearing and lower ball bearing
- Handles liquid and solid waste materials up to 2" diameter
- Available in manual or automatic operation:
- Piggyback mechanical float switch
  - On level 9" - 14"
  - Off level 2" - 6"
- Integral Snap Action float switch
  - On level 9" - 12"
  - Off level 3" - 6"
- Two year warranty

**LittleGIANT®**

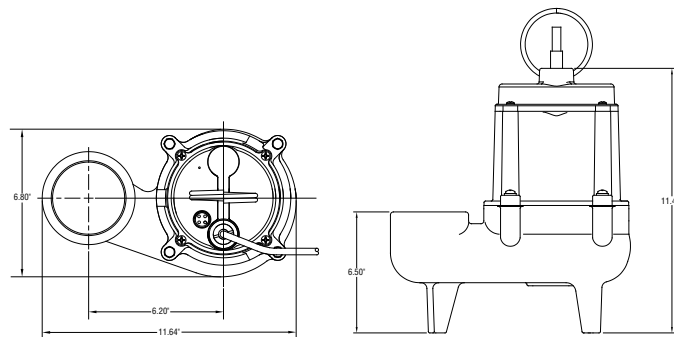
## Engineering Data



9SN-CIA-SFS



9SN-CIA-RF



9SN-CIM

## Specifications

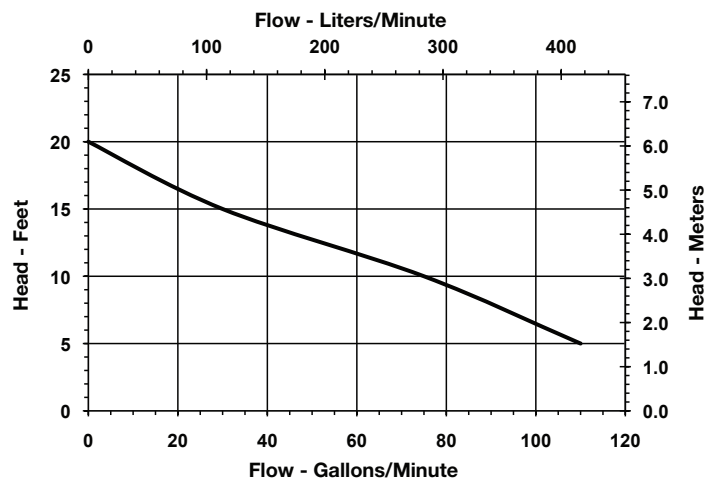
Item	Model	Listing (S)	HP	Volts	Solids Size (dia. In.)	Discharge	Running Amps/Watts	Performance GPM @ Head			Shut Off (ft)	PSI	Cord Length	Weight (lbs)	Dimensions		
								5'	10'	15'					H	X	L X W (in)
509228	9SN-CIA-SFS	cCSAus	4/10	115	2"	2"	8.5/850	110	70	30	20	8.7	20'	35.5	13.12	10.54	6.8
509204	9SN-CIA-RF	cCSAus	4/10	115	2"	2"	8.5/850	110	70	30	20	8.7	20'	35.5	11.4	11.64	6.8
509215	9SN-CIA-RF	cCSAus	4/10	115	2"	3"	8.5/850	110	70	30	20	8.7	20'	35.5	11.4	11.64	6.8
509226	9SN-CIM	cCSAus	4/10	115	2"	3"	8.5/850	110	70	30	20	8.7	20'	35.5	11.4	11.64	6.8
509203	9SN-CIM	cCSAus	4/10	115	2"	2"	8.5/850	110	70	30	20	8.7	20'	34.5	11.4	11.64	6.8

## Construction

Cover	Epoxy-coated cast iron/ *Thermoplastic
Motor Housing	Epoxy-coated cast iron
Impeller Material	Nylon
Impeller Type	Vortex
Volute	Epoxy-coated cast iron
Power Cord	SJT/W
Mechanical Shaft Seal	Nitrile with carbon and ceramic faces
Fasteners	Stainless Steel
Shaft	Steel
Bearings	Upper sintered sleeve and lower ball bearing

\*SFS Models

## Performance Data



P.O. Box 12010  
Oklahoma City, OK 73157-2010  
Phone: 1.800.701.7894  
Fax: 1.800.678.7867  
www.LittleGiantPump.com

©2012 Franklin Electric Co., Inc.  
Little Giant® is a registered trademark of Franklin Electric Co., Inc.  
Form 996194 — 04/12