

K2000



Features

- 1,950 GPH @ 1'
- 13' shut-off head
- 3/4" solids handling ability
- 350 Watts
- 1-1/4" FNPT horizontal discharge
- Includes 1-1/2" FNPT x 1-1/4" MNPT elbow
- Light Weight — Only 8 lbs.

Construction

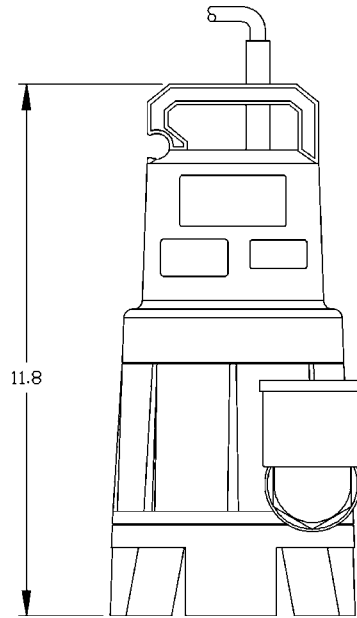
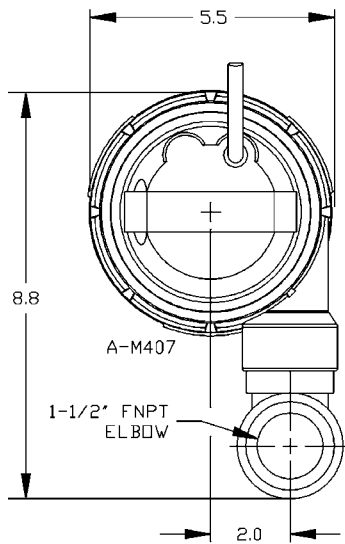
- Motor Housing Material — Polypropylene
- Impeller Material — Nylon
- Impeller Type — Vortex
- 16' Power Cord — SJTW Type
- Shaft Seal — Nitrile
- Hardware — SSTL
- Shaft Material — Ceramic coating 316 SSTL
- Motor Cylinder — 304 SSTL



From the company with the most complete line of pumps in the water gardening industry, Little Giant® is pleased to announce its latest addition of pumps designed specifically for water garden applications.

The new WaterMark™ line of “K Series” pumps features a submersible-only design with the ability to handle solids. Built to handle the needs and tough demands of the professional contractor, the pump has a very efficient oil-less motor protected by a 304 stainless steel cylinder, then housed in a light weight but durable plastic body. The K Series pumps are sure to please the avid water gardening professional and enthusiast.

K2000



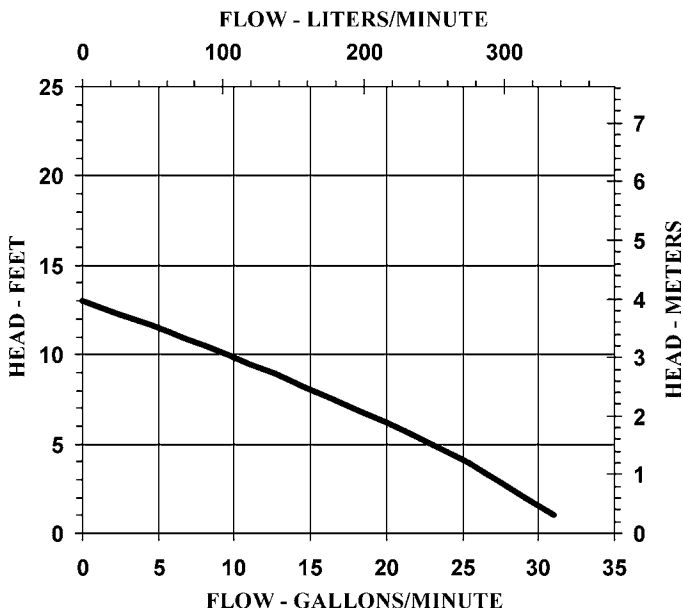
Specifications

Item No.	Discharge Size	Solids Handling	Listing(s)	HP	Volts/ Hz	Amps	Watts	Performance - Gallons Per Hour @ Head in Feet			Shut-off (ft)	Pwr. Cord (ft)	Height (in)	Length (in)	Width (in)	Weight (lbs)
								1	5	10						
14940124	1-1/4" FNPT*	3/4"	cCSAus	1/4	115/60	3.2	350	1950	1380	570	13	16	11.8	5.5	8.8	8
								Performance - Liters Per Hour @ Head in Meters			Shut-off (m)	Pwr. Cord (m)	Height (cm)	Length (cm)	Width (cm)	Weight (kg)
								7381	5223	2157						

Flow rating is with elbow installed.

*1-1/2" FNPT x 1-1/4" MNPT elbow included.

Flow Curve



Flows

Head (ft.)	Flow (GPM)	Head (m)	Flow (LPM)
1	32.5	0.3	123
5	23	1.5	87
10	9.5	3.0	36

WATER MARK™
by Little Giant®

Engineered for Lasting Impressions

PO Box 12010 • Oklahoma City, OK 73157-2010
Phone: 888.271.1368 • Fax: 888.269.8458