

# Direct Drive Pumps



## Die Cast Aluminum Fountain Pumps

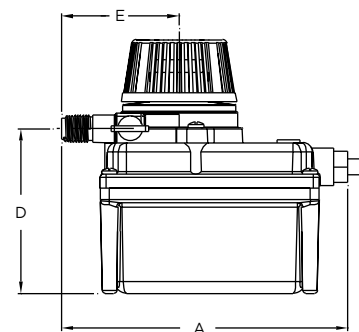
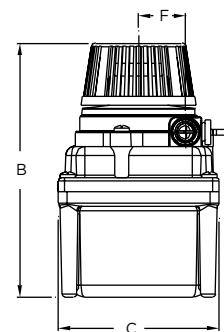
Our durable cast aluminum pumps are reliable, versatile and can be used submerged. These pumps have extremely quiet operation for years of continuous trouble-free service.

- Includes CFS100 prefilter
- Built in flow control
- Compact design



| A-SERIES | Item Number | Amps | Watts | Cord (ft) | Submerged Use | Discharge MNPT | Gallons Per Hour (GPH) at height |     |     | Shut Off (ft) |
|----------|-------------|------|-------|-----------|---------------|----------------|----------------------------------|-----|-----|---------------|
|          |             |      |       |           |               |                | 1'                               | 5'  | 10' |               |
| A210-6   | 517050      | 0.7  | 50    | 6'        | ✓             | 1/4"           | 220                              | 93  | -   | 6.3           |
| A210-20  | 517051      | 0.7  | 50    | 20'       | ✓             | 1/4"           | 220                              | 93  | -   | 6.3           |
| A280-6   | 517052      | 1.3  | 77.4  | 6'        | ✓             | 1/4"           | 250                              | 205 | 105 | 12.8          |
| A280-20  | 517053      | 1.3  | 77.4  | 20'       | ✓             | 1/4"           | 250                              | 205 | 105 | 12.8          |
| A430-6   | 517054      | 2    | 84.7  | 6'        | ✓             | 1/4"           | 280                              | 220 | 110 | 12.4          |
| A430-20  | 517055      | 2    | 84.7  | 20'       | ✓             | 1/4"           | 280                              | 220 | 110 | 12.4          |

| DIMENSIONS (INCHES) | A   | B    | C    | D    | E    | F   |
|---------------------|-----|------|------|------|------|-----|
| A210-6              | 4.6 | 4.4  | 3.75 | 2.8  | 2.12 | 0.7 |
| A210-20             | 4.6 | 4.4  | 3.75 | 2.8  | 2.12 | 0.7 |
| A280-6              | 5.8 | 5.15 | 3.3  | 3.34 | 2.4  | 0.9 |
| A280-20             | 5.8 | 5.15 | 3.3  | 3.34 | 2.4  | 0.9 |
| A430-6              | 5.8 | 5.15 | 3.3  | 3.34 | 2.4  | 0.9 |
| A430-20             | 5.8 | 5.15 | 3.3  | 3.34 | 2.4  | 0.9 |



A280, A430

