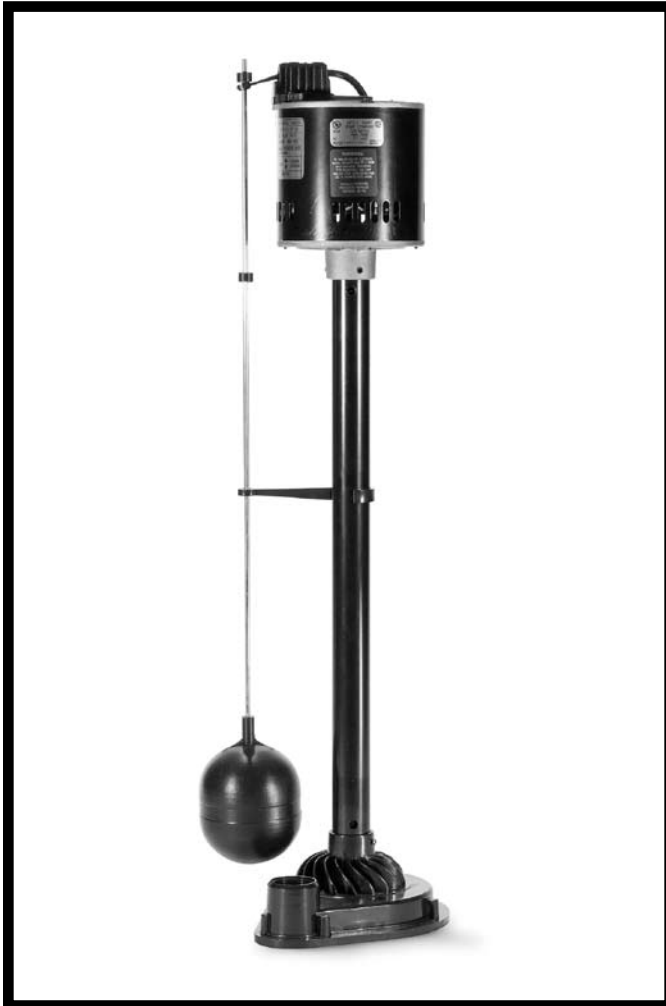


Little GIANT®

VS-P2800 SERIES



Applications

- Sump pits in basements
- Dewatering areas where small debris is present

Features

- Plastic volute made of corrosion-proof ABS
- 1-1/4" FNPT discharge
- 1/4" solids handling capability
- Thermal overload protection
- Automatic operation with integral snap-action float switch
- Adjustable on/off levels: on 10"-5", off 9"-4"
- UL/CSA listed
- 115V, 60 Hz

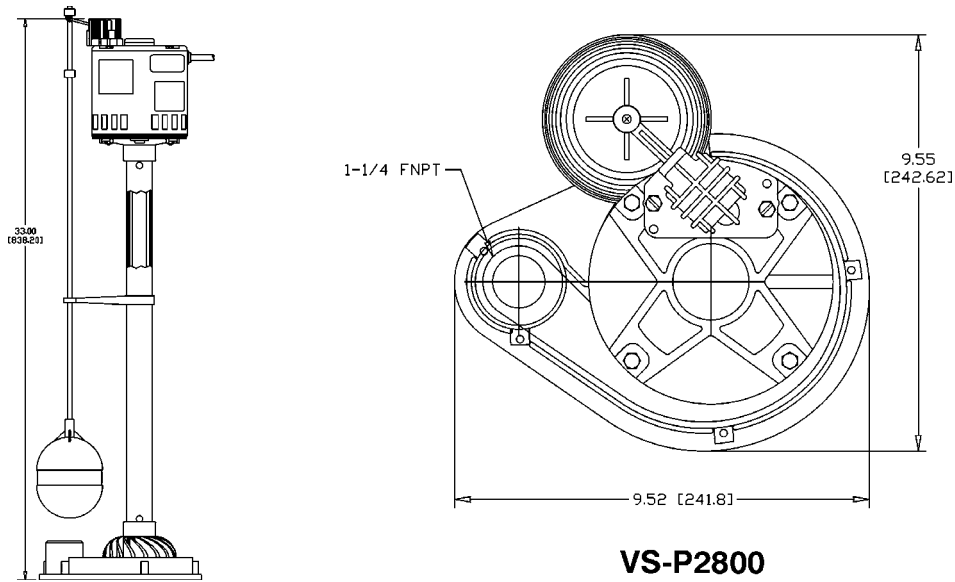
Construction

- Impeller Material — PVC
- Impeller — Semi-open non-clog
- Volute — ABS
- Power Cord — 8', 18-3, SJOW
- Fasteners — Anodized steel
- Drive Shaft — PVC



The VS-P2800 Vertical Sump Pump is designed for residential and light to moderate commercial duty. Engineered to handle the tough, demanding tasks of dewatering with high efficiency and long term dependability, this pump is also ideal for applications containing small debris. Features include a 1-1/4" FNPT discharge, adjustable on/off level, 8' power cord and a snap-action float switch.

VS-P2800 SERIES



VS-P2800

Specifications

| Model No. | Item No. | HP | Volts | Amps | Watts | Performance (GPM @ Head) | | | Shut Off | | Cord Length (ft.) | Weight (lbs.) | Dimensions (H x L x W in.) |
|-----------|----------|-----|-------|------|-------|--------------------------|-----|------|----------|-----|-------------------|---------------|----------------------------|
| | | | | | | 5' | 10' | 15' | Feet | PSI | | | |
| VS-P2800 | 547151 | 1/3 | 115 | 4 | 316 | 46.6 | 34 | 10.3 | 17 | 7.4 | 8 | 16 | 33 x 9.52 x 9.55 |

