

Wastewater

18S Series



Applications

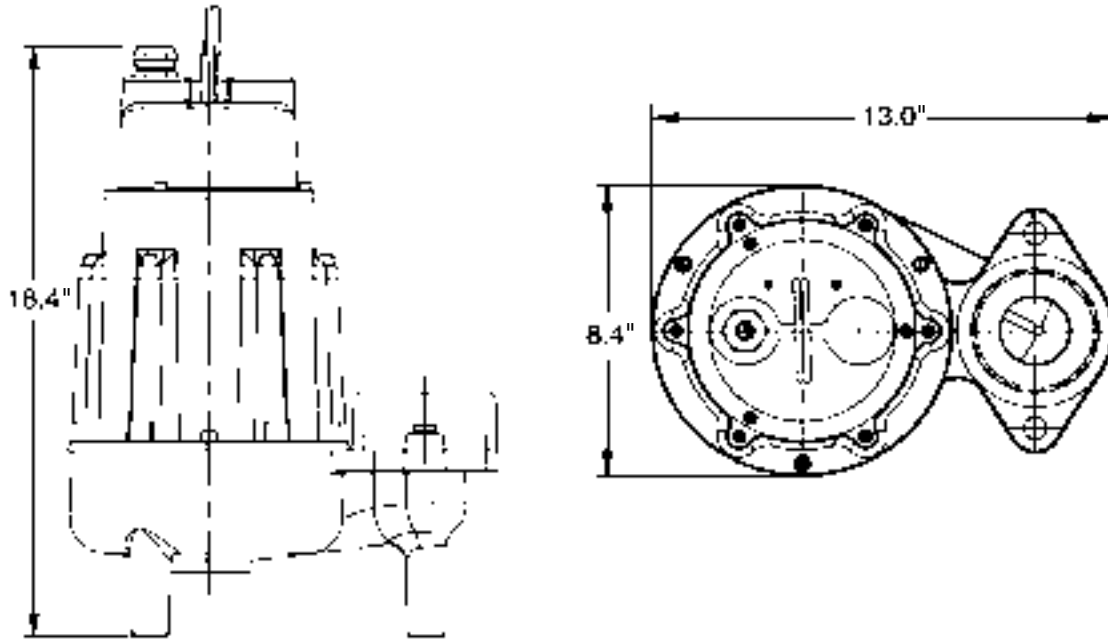
- Little Giant 18S Series Sump/Sewage Pumps are rated for continuous duty in effluent and sewage waste transfer applications

Features

- 1-1/2 hp permanent split capacitor motor with thermal overload protection on single-phase units
- Oil-filled motor housing for lifetime lubrication and rapid heat dissipation
- Cast iron pump housing with protective epoxy coating for corrosion resistance
- 3" FNPT discharge
- Brass impeller
- Stainless steel hardware
- Mechanical seal (stainless steel spring, nitrile parts, carbon and ceramic faces)
- Secondary exclusion seal to help protect mechanical seal
- Capacitor and power cord connections are isolated from oil-filled motor housing for ease of field maintenance
- Handles liquids and solid waste materials up to 2" diameter

LittleGIANT®

Engineering Data



Specifications

Item No.	Model No.	HP	Volts	Hz	Ph	Full Load Amps	RPM	Performance (GPM @ Head)						Discharge	Shut Off		Cord Length (ft)	Weight (lbs)	Dimensions H x L x W (in)
								10'	20'	30'	40'	50'	60'		Feet	PSI			
520301	18S-CIM	1-1/2	230	60	1	15.5	3450	160	137	111	84	50	15	3" FNPT	64	27.7	20	96	18.4 x 13.0 x 8.4
520300	18S-CIM	1-1/2	208	60	1	16.0	3450	160	137	111	84	50	15	3" FNPT	64	27.7	20	94	18.4 x 13.0 x 8.4
520302	18S-CIM	1-1/2	200-208	60	3*	13.5	3450	160	137	111	84	50	15	3" FNPT	64	27.7	20	96	18.4 x 13.0 x 8.4
520303	18S-CIM	1-1/2	230	60	3*	11.5	3450	160	137	111	84	50	15	3" FNPT	64	27.7	20	94	18.4 x 13.0 x 8.4
520304	18S-CIM	1-1/2	460	60	3*	5.3	3450	160	137	111	84	50	15	3" FNPT	64	27.7	20	94	18.4 x 13.0 x 8.4

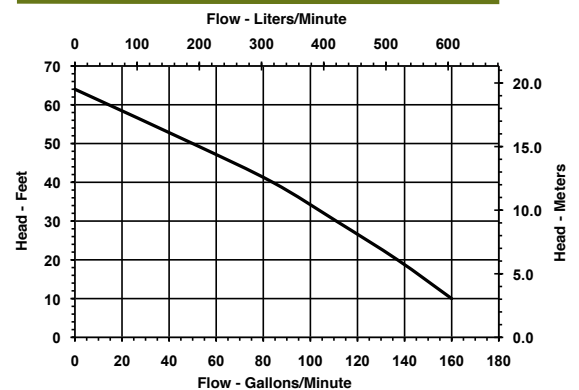
Continuous Duty Rated — Little Giant Wastewater pumps are rated continuous duty as long as they are run within the published ratings for these pumps.

*3-phase pumps require control panel

Construction

Cover	Epoxy coated cast iron
Motor Housing	Epoxy coated cast iron
Impeller Material	Red Brass
Impeller Type	Non-Clog
Volute	Epoxy coated cast iron
Power Cord	14/3, SOW (1-phase); 14/4, SOW (3-phase)
Mechanical Shaft Seal	Carbon/ceramic
Fasteners	Stainless steel
Shaft	Stainless steel
Bearings	Upper and lower ball bearings

Performance Data



P.O. Box 12010
Oklahoma City, OK 73157-2010
Phone: 1.800.701.7894
Fax: 1.800.678.7867
www.LittleGiantPump.com

