

# Wastewater

## 20S Series



### Applications

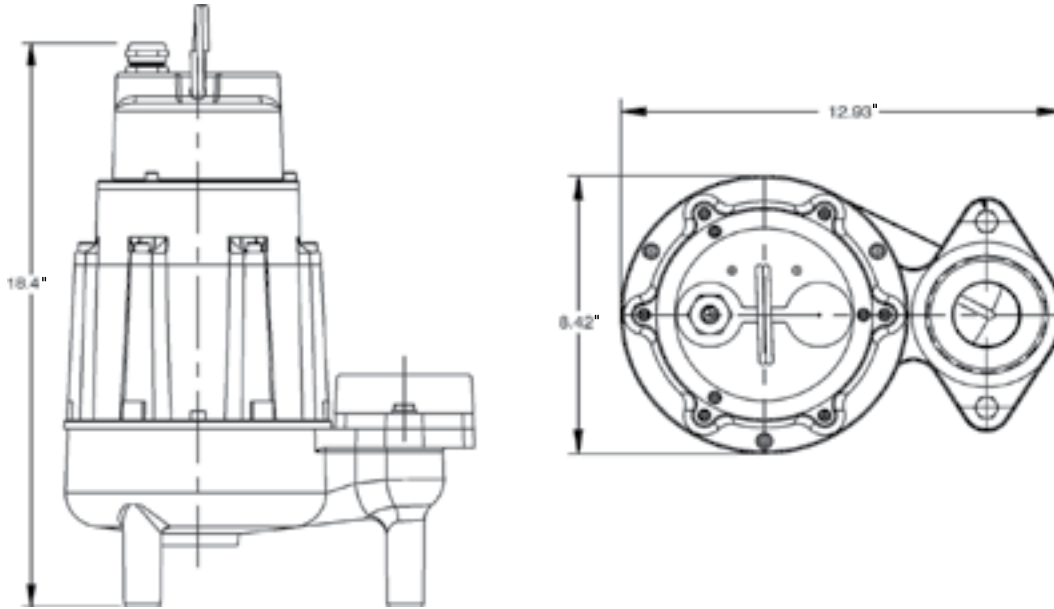
- Little Giant 20S Series Sump/Sewage Pumps are rated for continuous duty in effluent and sewage wastewater transfer applications

### Features

- 2 hp permanent split capacitor PSC motor with thermal overload protection on single-phase units
- Oil-filled motor housing for lifetime lubrication and rapid heat dissipation
- Cast iron pump housing with protective epoxy coating for corrosion resistance
- 3" FNPT discharge
- Stainless steel screws, bolt and seal assembly
- Mechanical seal (stainless steel spring, nitrile parts, carbon and ceramic faces) for long life and reliability
- Brass impeller
- Exclusion seal
- Capacitor and power cord connections are isolated from oil-filled motor housing for ease of field maintenance
- Handles liquids and solid waste materials up to 2" diameter

**LittleGIANT®**

## Engineering Data



## Specifications

Item No.	Model No.	Disch. Size (dia. in)	HP	Volts	Hz	Ph	Running Amps	Motor RPM	Performance (GPM @ Head)						Shut Off		Cord Length (ft)	Weight (lbs)	Dimensions H x L x W (in)
									10'	20'	30'	40'	50'	60'	Ft	PSI			
520100	20S-CIM	3" FNPT	2	208-230	60	1	18.0	3450	205	168	140	120	110	65	77	33.3	20	96	18.4 x 13.0 x 8.42
520125	20S-CIM	3" FNPT	2	200-208	60	3*	14.5	3450	205	168	140	120	110	65	77	33.3	20	96	18.4 x 13.0 x 8.42
520150	20S-CIM	3" FNPT	2	230	60	3*	12.6	3450	205	168	140	120	110	65	77	33.3	20	94	18.4 x 13.0 x 8.42
520175	20S-CIM	3" FNPT	2	460	60	3*	6.1	3450	205	168	140	120	110	65	77	33.3	20	96	18.4 x 13.0 x 8.42

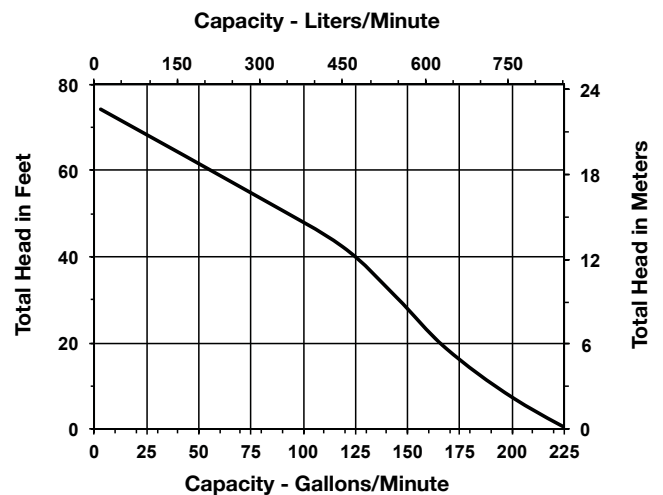
Continuous Duty Rated — Little Giant Wastewater pumps are rated continuous duty as long as they are run within the published ratings for these pumps.

\*3-phase pumps require control panel

## Construction

Cover	Epoxy coated cast iron
Motor Housing	Epoxy coated cast iron
Impeller Material	Red brass
Impeller Type	Vortex
Volute	Epoxy coated cast iron
Power Cord (Stripped Leads)	14/3, SOW (14/4 SOW, 3-phase)
Mechanical Shaft Seal	Carbon/ceramic
Fasteners	Stainless steel
Shaft	Stainless steel
Bearings	Upper and lower ball bearings

## Performance Data



P.O. Box 12010  
 Oklahoma City, OK 73157-2010  
 Phone: 1.800.701.7894  
 Fax: 1.800.678.7867  
 www.LittleGiantPump.com

