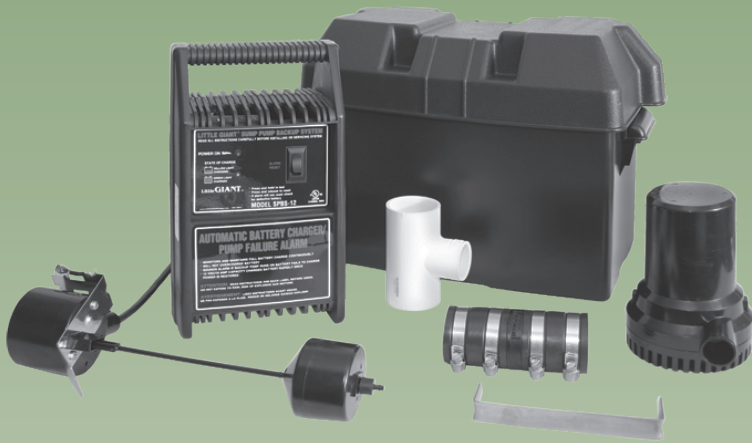


# Wastewater

## SPBS-12



### Applications

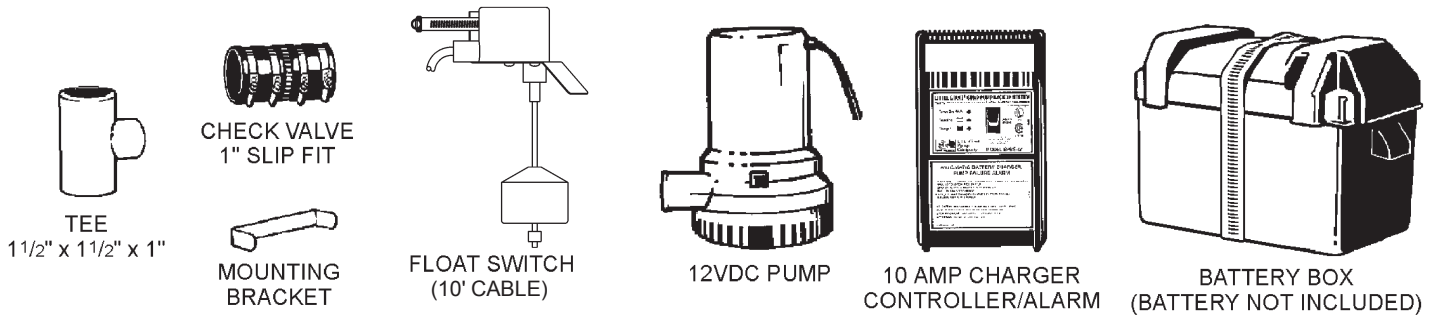
- Sump pits in basements

### Features

- 12 Volt DC pump
- The back-up system is powered by a 12 Volt DC battery (not included). The battery used should be a deep cycle marine battery rated from 105 to 140 amp-hours. A 140 amp-hour battery can provide in excess of nine (9) hours of continuous operation.
- Controller/Charger/Alarm, 10 amp
- A controller/charger monitors the battery condition and charges the battery when required. It also alerts the homeowner when the system has operated or when possible flooding conditions exist.
- Audible alarm:
  - When pump runs (must be reset)
  - When battery is discharged
- Indicator lights (LED) for:
  - Power "ON"
  - Battery charging
  - Battery fully charged
- Float switch
- Check valve for 12 Volt pump
- PVC tee for connection to existing 1-1/2" discharge pipe of primary pump
- Battery box (battery not included)
- Pump mounting bracket and clamp

**LittleGIANT®**

## Engineering Data



## Specifications

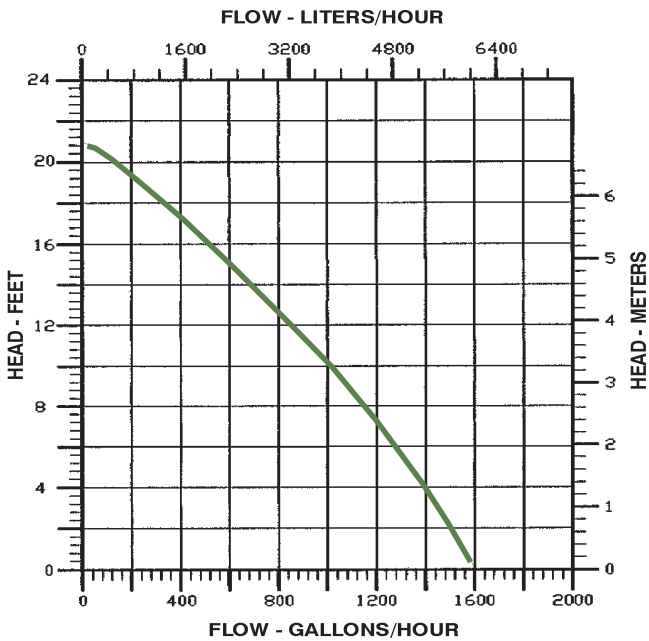
	Model No.	Item No.	Volts	Hz	Amps	Watts	Performance (GPH @ Head)			Shut Off		Weight (lbs.)
							5'	10'	15'	Feet	PSI	
Pump	SPBS-12	506400	12VDC	60	8.4	—	1,360	1,000	570	21	9.1	17.5
Charger Input	—	—	120VAC	60	2	230	—	—	—	—	—	—
Charger Output	—	—	12VDC	—	10	—	—	—	—	—	—	—

## Typical Installation

**WARNING:** Turn off power source before installing or adjusting this device. Failure to turn off power could result in serious or fatal electrical shock.

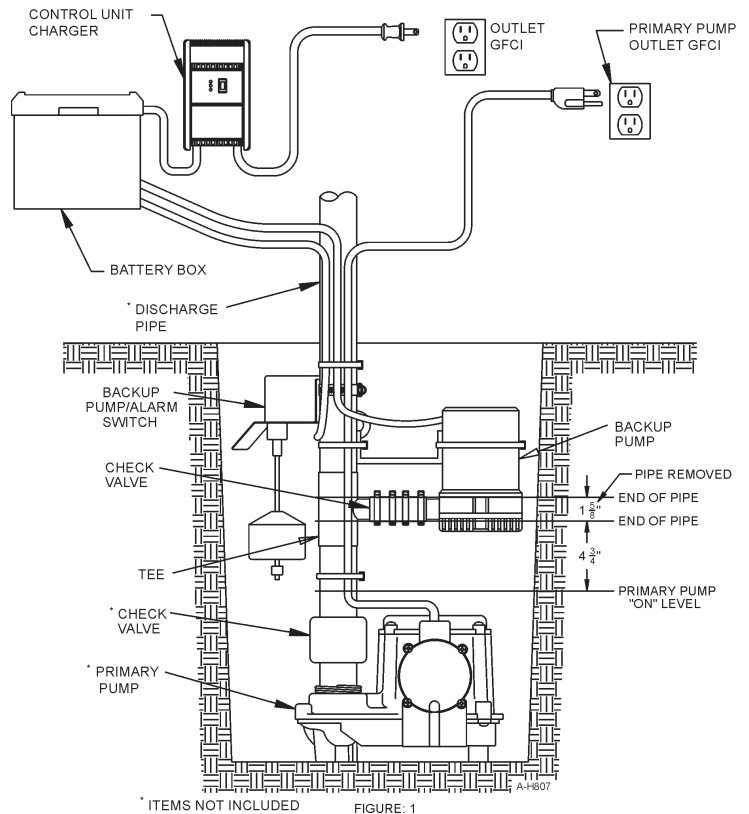
See detailed instructions in Owners Manual for specific installation procedures.

### TYPICAL PUMP PERFORMANCE 12 VOLTS DC



**NOTE:** Little Giant Pump Company cannot be responsible for damages caused by faulty or negligent installation of this control. We recommend that you engage the services of a competent plumber, electrician, or qualified service person to install this product in accordance with national and local electrical codes.

### 12 VOLT BATTERY BACKUP SUMP PUMP SYSTEM



\* ITEMS NOT INCLUDED FIGURE 1

**Franklin Electric**  
 P.O. Box 12010  
 Oklahoma City, OK 73157-2010  
 Phone: 1.800.701.7894  
 Fax: 1.800.678.7867  
 www.LittleGiantPump.com