

# Little GIANT<sup>®</sup>

## Pump Company

### 2E-NYS SERIES



#### Features

- Oil-filled Aluminum Housing
- Nylon volute & impeller
- Conduit fitting for mounting
- Submerged use only in parts washers
- Double-lip Viton<sup>®</sup> shaft seal
- For use with UL (PJQU) solvents
- 300 GPH @ 1
- 6 foot cord, no plug
- Thermally protected

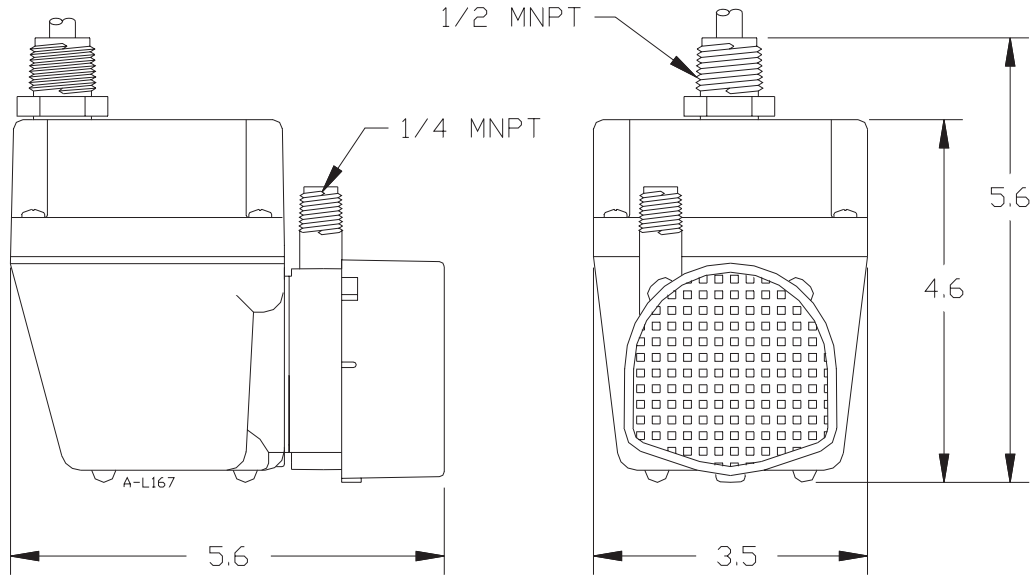
#### Construction

- Motor — 1/40 HP
- Intermittent Liquid Temp. up to — 120° F
- Intake — N/A
- Discharge — 1/4" MNPT
- Housing — Aluminum
- Cover — Aluminum
- Volute — Nylon
- Impeller — Nylon
- Shaft Seal — Viton<sup>®</sup>
- Screen — Polyethylene

Oil-filled cast aluminum submersible pump for use with stoddard solvent and deodorized kerosene submerged parts washer applications only. Sealed unit has double-lip Viton<sup>®</sup> seal and nylon volute with 1/4" MNPT discharge. 6 foot power cord without plug has "Master Builders" conduit fitting at pump housing for mounting. For pumping unheated metal parts cleaning solvent which is UL classified as PJQU, as described in the Gas and Oil Equipment Directory. These refined petroleum distillates are free from tendency to heat spontaneously; they have a closed cup flash point not lower than 100 degrees F. Thermally protected.

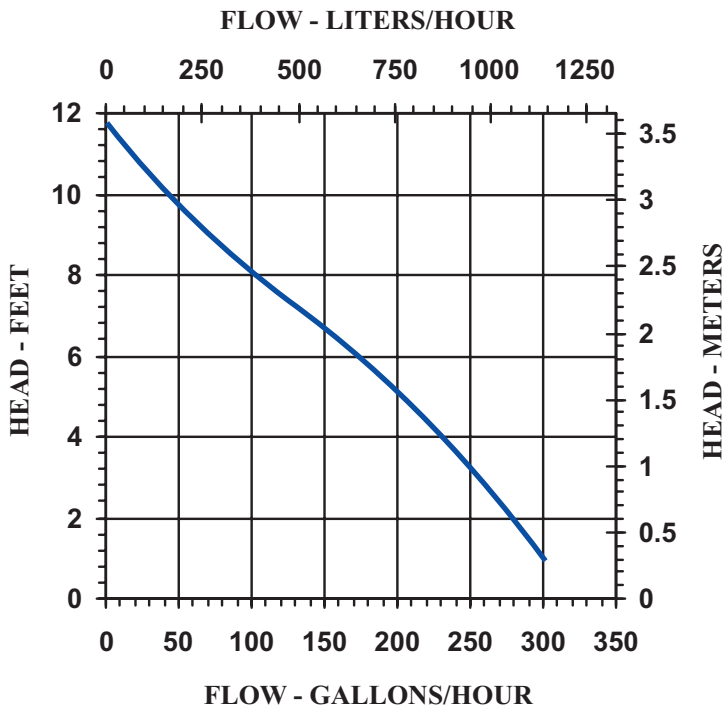
# Little Giant Pump Co.

## 2E-NYS SERIES



### Specifications

Model No.	Item No.	Discharge Size	Listings	HP	Volts	Hertz	Amps	Watts	Performance (GPH @ Head)				Shut Off		Pwr. Cord (ft)	Weight (Lbs.)
									1'	3'	5'	9'	Feet	PSI		
2E-NYS	502020	1/4" MNPT	UR/C-CSA	1/40	115	60	1.7	100	300	255	205	70	11.8	5.1	6	4.67



### Replacement Parts

Volute	102333
Impeller	102470
Screen	102901
Gasket	102601

**Little Giant Pump Co.**  
 PO Box 12010  
 Okla. City, OK 73157  
 Phone: 405.947.2511  
 Fax: 405.228.1550  
[www.LittleGiantPump.com](http://www.LittleGiantPump.com)