

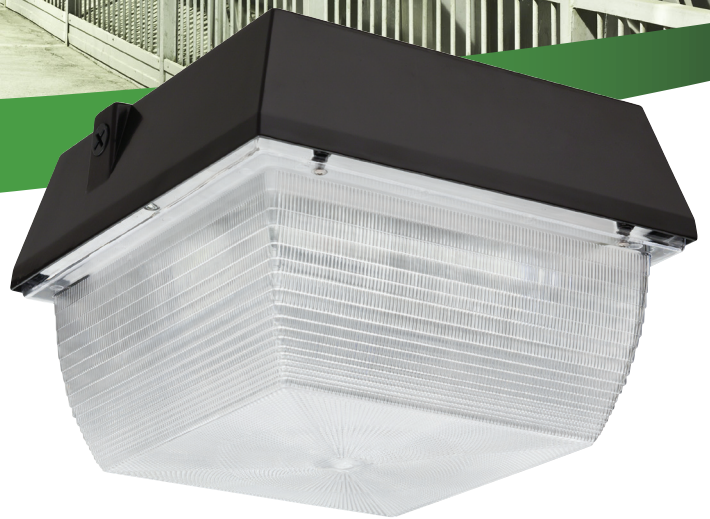


Value and versatility defined

Our new “traditional-style” LED luminaires offer the shapes you’ve grown accustomed to coupled with the high-powered, energy-efficient LEDs you want.

This fixture was designed to fit seamlessly — eliminating unwanted markings from the removal of older fixtures.

Replace one or replace them all, either case, with energy-savings of up to 86%, Lithonia has you covered!



VRC LED replaces up to **250W MH**



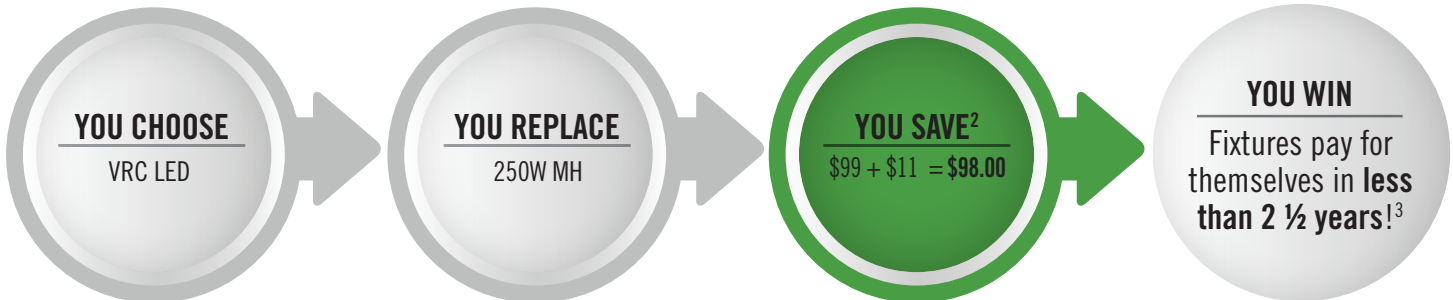
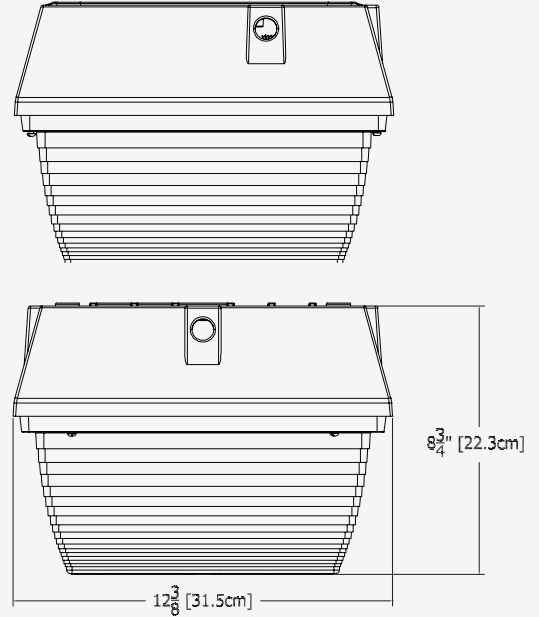


Mounts to a recessed junction box or via conduit entry on 3 sides.

- Impact resistant polycarbonate lens provides an even light distribution and protects electronics
- 100,000 hour LED life¹
- Light distribution is designed to match your existing canopy light so spacing remains constant
- Highly efficient LEDs provide **84 lumens per watt**

¹ LED lifespan based on IESNA LM-80-08 results and calculated per IESNA TM-21-11 methodology.

Product Dimensions



² Annual Energy + Annual Lamp Replacement Cost = Total Annual Savings

³ Based on 12 hours operation per day and energy costs of \$.11 per kWh

ORDERING INFORMATION

Lead times will vary depending on options selected. Consult with your sales representative.

Example: VRC LED 1 50K MVOLT

Series		Performance Package	Color Temperature	Voltage	Finish
VRC LED	LED Wall Pack	1 3389 lumens	50K 5000K ⁴	MVOLT ⁵	(blank) Dark Bronze



Notes

- Correlated Color Temperature (CCT) shown is nominal per ANSI C78,377-2008.
- MVOLT driver operates on any line voltage from 120-277V (50/60 Hz)