

Value and versatility defined

The OLFL 14 really packs a punch – with annual energy savings of up to \$135, it pays for itself in six months! There's even a standard photocell which turns the light on at dusk and off at dawn. Now that's smart!



OLFL 14 replaces up to **300W Quartz Halogen**



Value and versatility defined

www.lithonia.com

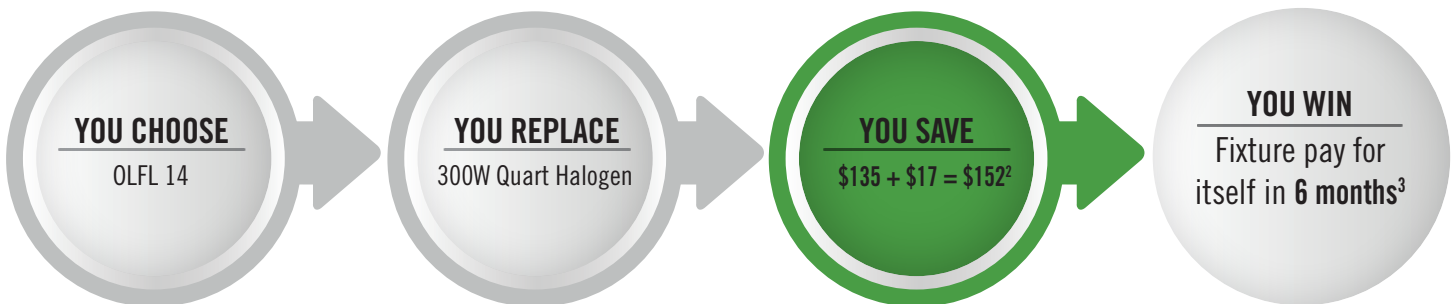
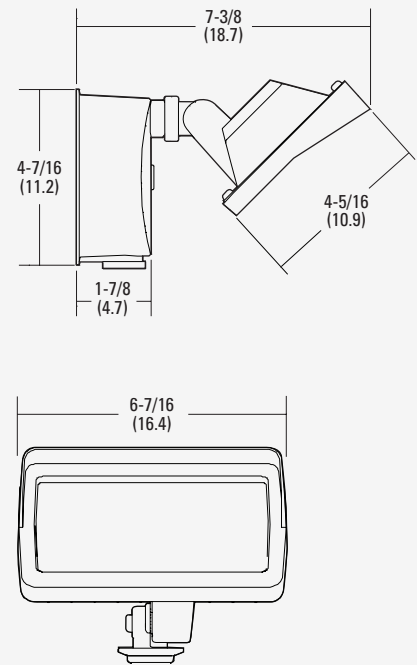


Mounts to a recessed junction box

- 2 high-powered LEDs provide 1351 lumens in a neutral 4000K CCT
- Fully gasketed glass lens protects the LEDs from water and bugs
- 50,000 hour LED life¹
- Includes standard photocell for dusk-to-dawn operation
- Rugged cast aluminum housing with dark bronze powder-coat finish
- Highly efficient LEDs provide **74 lumens per watt**

¹ LED lifespan based on IESNA LM-80-08 results and calculated per IESNA TM-21-11 methodology.

Product Dimensions



² Annual Energy + Annual Lamp Replacement Cost = Total Annual Savings

³ Based on 12 hours operation per day and energy costs of \$.11 per kWh

ORDERING INFORMATION

Example: OLFL 14 PE BZ

| Series | | Lumens | Color Temperature | Voltage | Controls | Finish |
|--------|--------------------------|----------------|----------------------------|--------------|------------------------------------|-----------|
| OLFL | LED Security Flood Light | 14 1351 lumens | (blank) 4000K ⁴ | (blank) 120V | PE Photoelectric cell, button type | BZ Bronze |



Notes

⁴ Correlated Color Temperature (CCT) shown is nominal per ANSI C78.377-2008.