



Catalog Number	
Notes	Type

Indoor Decorative

Sheffield

Flush/Semi-Flush Mount

Compact QTT Fluorescent/
55W 2C Fluorescent



FEATURES & SPECIFICATIONS

INTENDED USE

Provides general illumination in residential applications. **If required for commercial application or operation more than eight (8) hours per day, consult factory for available options.** Ideal for use in foyers, hallways, bedrooms, offices, utility work areas, stairways and many other rooms in the house. Flush mount are preferred on lower ceilings, while semi-flush lights are ideal on medium to high ceilings.

ATTRIBUTES

Distinctive traditional style fixture with black bronze finished housing and matching decorative center finial. Satin-etched swirl, white glass diffuser provides widespread, uniform illumination. Available in three sizes, 11", 13" or 15". Fixture can be flush or semi-flush mounted, matching black bronze finish canopy/stem chains included for semi-flush mounting. Center finial provides easy access for cleaning and maintenance.

Includes (2) 13W or (2) 18W compact quad tube (QTT) 4-pin 2700K fluorescent lamps or (1) 55W 2C 2700K fluorescent lamp for energy efficiency, superior color rendering and long life.

Standard with electronic ballast (120 volt, 60Hz) ensures no flickering and quiet operation without interfering with other home electronics.

Use with non-dimmable switches only.

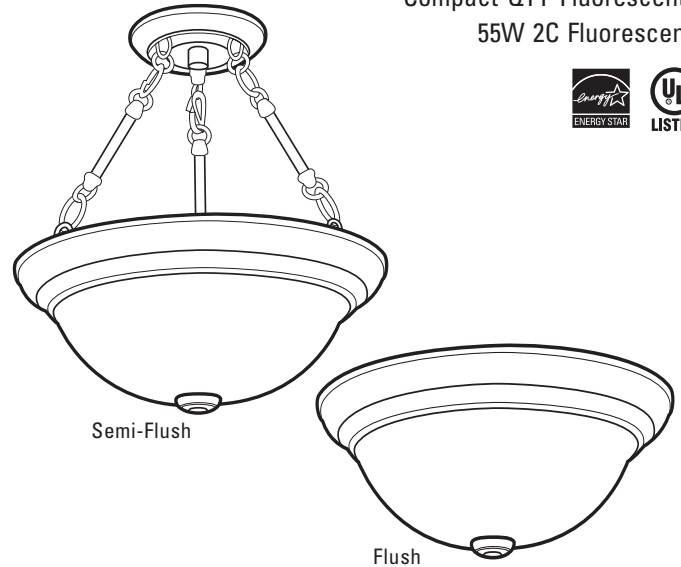
All mounting hardware included.

LISTING

UL listed to US safety standards and suitable for damp locations. ENERGY STAR® qualified.

WARRANTY

Guaranteed for two years against mechanical defects in manufacture.

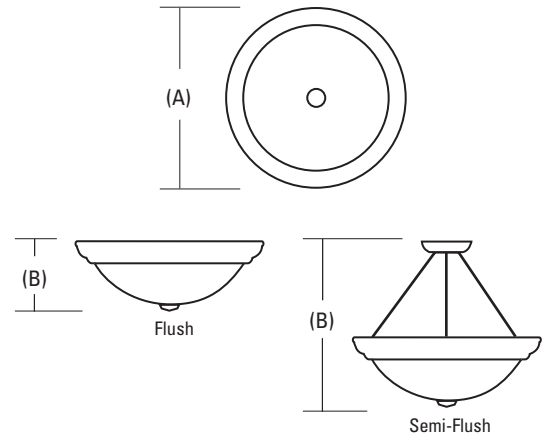


DIMENSIONS

Nominal Size	Lamp Configuration	Model Number	Number of Lamps	Mounting Configuration	(A) Width inches (cm)	(B) Extension* inches (cm)
11" dia		11780	(2) 13W compact (QTT)	Flush Semi-flush	11" (27.9) 11" (27.9)	5" (12.1) 13" (32.4)
13" dia		11782	(2) 18W compact (QTT)	Flush Semi-flush	13" (33.0) 13" (33.0)	5" (12.7) 13" (33.0)
15" dia		11784	(1) 55W 2C	Flush Semi-flush	15" (37.9) 15" (37.9)	6" (15.2) 13-3/4" (34.9)

* Extension from ceiling

All dimensions are in inches (centimeters)



ORDERING INFORMATION

Choose the boldface catalog nomenclature that best suits your needs and write it on the appropriate line. Order accessories as separate catalog numbers.

Example: **11780 BZ**

Model Number ^{1,2}	Finish	Ballast/Voltage ²	Options
11780 11" diameter - (2) 13W compact quad tube (QTT) 4-pin 2700K fluorescent lamps Included	BZ Black bronze	(blank) 120 volt residential electronic ballasts (standard)	(Consult factory)
11782 13" diameter - (2) 18W compact quad tube (QTT) 4-pin 2700K fluorescent lamps Included		Other voltage and ballast types (Consult factory)	
11784 15" diameter - (1) 55W 2C 2700K fluorescent lamps Included			

Accessories/Replacement parts

(On back page)

Notes:
1. **INCLUDES** - (2) 13W or (2) 18W compact quad tube (QTT) 4-pin 3500K fluorescent lamps or (1) 55W 2C 2700K fluorescent lamp.
2. Use with non-dimmable switches only.

Sheffield Flush/Semi-Flush Mount

PHOTOMETRICS

18W QTT Fluorescent Lamp Configuration.

CANDELA DISTRIBUTION

0	45	90	135	180	Ave	Lumens
0	269	269	269	269	269	269
5	270	269	269	269	271	269
15	260	262	266	264	264	263
25	243	250	259	253	248	252
35	221	234	248	238	226	235
45	194	214	231	217	199	214
55	165	190	207	191	167	188
65	134	160	175	159	134	157
75	106	129	141	127	104	125
85	78	97	106	95	76	94
90	66	82	89	80	63	79
95	55	68	75	67	53	66
105	29	17	38	16	27	26
115	0	0	0	0	0	1
125	0	0	0	0	0	0
135	0	0	0	0	0	0
145	0	0	0	0	0	0
155	0	0	0	0	0	0
165	0	0	0	0	0	0
175	0	0	0	0	0	0
180	0	0	0	0	0	0

ZONAL LUMEN SUMMARY

Zone	Lumens	% Lamp	% Fixture
0° - 30°	216.1	8.6	18.2
0° - 40°	363.7	14.5	30.6
0° - 60°	697.7	27.9	58.6
0° - 90°	1087.7	43.5	91.4
90° - 120°	102.5	4.1	8.6
90° - 130°	102.5	4.1	8.6
90° - 150°	102.5	4.1	8.6
90° - 180°	102.5	4.1	8.6
0° - 180°	1190.1	47.6	100.0

LUMINAIRE EFFICIENCY: 47.6%

CIE CLASSIFICATION: Direct

SPACING CRITERIA(0-Deg): 1.3

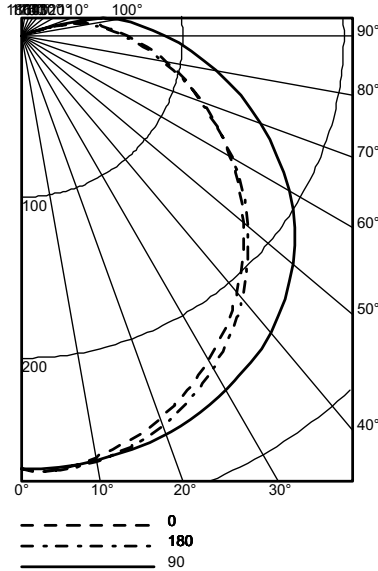
SPACING CRITERIA(90-Deg): 1.4

SPACING CRITERIA(180-Deg): 1.3

AVERAGE LUMINANCE (cd/m2)

0°	90°	180°	
45°	4604	5477	4709
55°	4249	5331	4311
65°	3917	5107	3915
75°	3671	4892	3601
85°	3511	4740	3404

Calculations based on IES File Luminous Area:
9.0 in. Diameter x 3.24 in. H



TESTED BY: _____

COEFFICIENTS OF UTILIZATION

pf	20%																
	80%				50%				30%				10%				0%
pc	70%	50%	30%	10%	50%	30%	10%	50%	30%	10%	50%	30%	10%	50%	30%	10%	0%
0	56	56	56	56	51	51	51	48	48	48	45	45	45	44	44	44	44
1	49	46	43	41	42	40	38	39	37	36	37	35	34	33	33	33	33
2	44	39	35	32	35	32	30	33	31	29	31	29	27	26	26	26	26
3	40	34	29	26	31	27	24	29	26	23	27	25	22	21	21	21	21
4	36	30	25	21	27	23	20	25	22	20	24	21	19	18	18	18	18
5	33	26	22	18	24	20	17	23	19	17	21	18	16	15	15	15	15
6	30	24	19	16	22	18	15	20	17	14	19	16	14	13	13	13	13
7	28	21	17	14	19	16	13	18	15	13	17	14	12	11	11	11	11
8	26	19	15	12	18	14	12	17	14	11	16	13	11	10	10	10	10
9	24	18	13	11	16	13	10	15	12	10	15	12	10	9	9	9	9
10	23	16	12	10	15	12	9	14	11	9	14	11	9	8	8	8	8

SINGLE LUMINAIRE PERFORMANCE

Task Height: 2.5ft.

Mounting Height	Initial FC		50% beam - 68.2°				10% beam - 115.8°			
	Center Beam	Diameter	FC	Diameter	FC	Diameter	FC			
8.0	8.9	7.5	4.4	17.5	0.9					
10.0	4.8	10.2	2.4	23.9	0.5					
12.0	3.0	12.9	1.5	30.3	0.3					
14.0	2.0	15.6	1.0	36.7	0.2					
16.0	1.5	18.3	0.7	43.1	0.1					

Accessories/Replacement parts

CF13QT27 4-pin	13W compact (QTT) 4-pin 2700K fluorescent lamp
CF18QT27 4-pin	18W compact (QTT) 4-pin 2700K fluorescent lamp
F2C5527	55W 2C 2700K fluorescent lamp
DSHEF11	11" Glass diffuser, satin-etched white swirl
DSHEF13	13" Glass diffuser, satin-etched white swirl
DSHEF15	15" Glass diffuser, satin-etched white swirl



Consumer Products

One Lithonia Way, Conyers, GA 30012
 Phone: 800-748-5070 Fax: 770-860-3903
 In Canada: 160 Avenue Labrosse, Point-Claire, P.Q., H9R 1A1
 www.lightahome.com