



Catalog Number	
Notes	Type

## FEATURES & SPECIFICATIONS

### INTENDED USE

Provides general illumination in residential and light commercial applications. Ideal for use in foyers, hallways, bedrooms, offices, utility work areas, stairways, and many other rooms in the house. Flush mount are preferred on lower ceilings, while semi-flush lights are ideal on medium to high ceilings.

### ATTRIBUTES

Contemporary style fixture. Twin steel rings surround a dropped durable, milk-white acrylic diffuser. Complemented with matching finials in either a brushed nickel or antique bronze finish. Diffuser provides widespread illumination. Available in two sizes: 13" or 16" diameters. Fixture can be flush or semi-flush mounted, matching brushed nickel canopy and stems included for semi-flush mounting. Finials provide easy access for cleaning and maintenance.

Includes 26W compact double twin tube (DTT) 4-pin 3500K fluorescent lamp(s) for energy efficiency, superior color rendering and long life.

Standard with electronic ballast (120 volt, 60Hz) ensures no flickering and quiet operation without interfering with other home electronics.

Use with non-dimmable switches only.

All mounting hardware included.

### LISTING

UL listed to US safety standards and suitable for damp locations. ENERGY STAR® qualified.

### WARRANTY

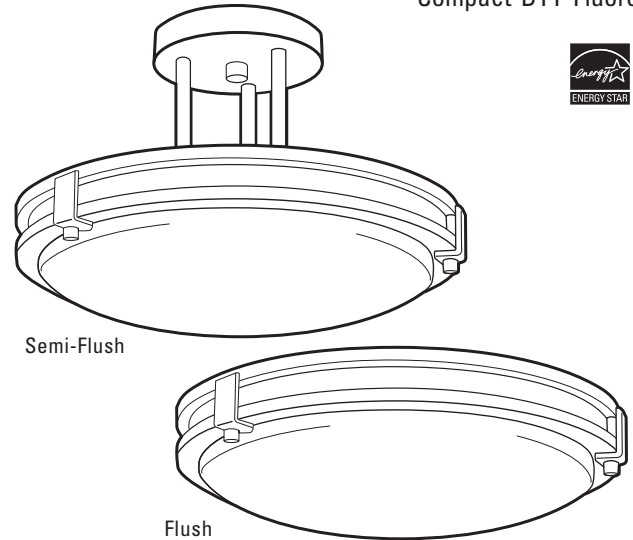
Guaranteed for two years against mechanical defects in manufacture.

Indoor Decorative

# Saturn

## Flush/Semi-Flush Mount

Compact DTT Fluorescent

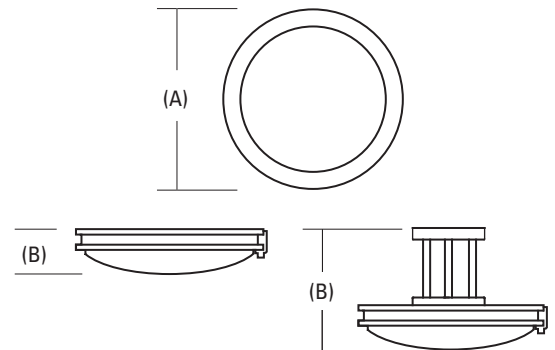


## DIMENSIONS

Nominal Size	Lamp Configuration	Model Number	Number of Lamps	Mounting Configuration	(A) Width inches (cm)	(B) Extension* inches (cm)
13" dia		11750	(1) 26W compact (DTT)	Flush	13" (30.5)	3-1/8" (7.9)
				Semi-flush	13" (30.5)	8-3/8" (21.3)
16" dia		11752	(2) 26W compact (DTT)	Flush	16" (40.6)	3-1/4" (8.3)
				Semi-flush	16" (40.6)	8-5/8" (21.9)

\* Extension from ceiling

All dimensions are in inches (centimeters)



## ORDERING INFORMATION

Choose the boldface catalog nomenclature that best suits your needs and write it on the appropriate line. Order accessories as separate catalog numbers.

Example: **11750 BN**

Model Number <sup>1</sup>	Finish	Ballast/Voltage <sup>2</sup>	Options
<b>11750</b> 13" diameter - (1) 26W compact (DTT) 4-pin 3500K fluorescent lamp <b>Included</b>	<b>BN</b> Brushed nickel	(blank) 120 volt residential electronic ballasts (standard)	(Consult factory)
<b>11752</b> 16" diameter - (2) 26W compact (DTT) 4-pin 3500K fluorescent lamps <b>Included</b>	<b>BZA</b> Antique bronze	Other voltage and ballast types (Consult factory)	

### Accessories/Replacement parts

<b>CF26QT35 4PIN R6</b>	26W compact (DTT) 4-pin 3500K fluorescent lamp <sup>3</sup>
<b>DSATN13</b>	13" Glass diffuser, milk white
<b>DSATN16</b>	16" Glass diffuser, milk white

### Notes:

- INCLUDES** - 26W compact (DTT) 4-pin 3500K fluorescent lamp(s).
- Use with non-dimmable switches only.
- Retail pack must be ordered in increments of 6.

# Saturn Flush/Semi-Flush Mount

---

## PHOTOMETRICS

Full photometric data report available within 2 weeks from request. Consult factory.