



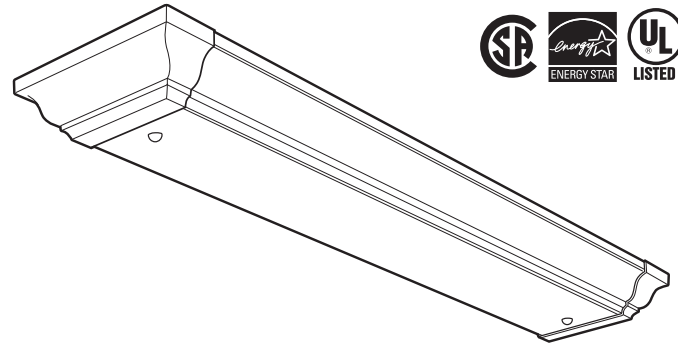
Catalog Number	
Notes	Type

Indoor Decorative

# Rigby

## Linear Design

CLASSIC COLLECTION  
Linear T8 Fluorescent



### FEATURES & SPECIFICATIONS

#### INTENDED USE

Provides general illumination in residential and light commercial applications. Ideal for use in offices and all rooms in the home.

#### ATTRIBUTES

Traditional style fixture with cast aluminum ends in a black-bronze, white, or brushed nickel finish with matching finials. Durable, milk white acrylic diffuser provides wide spread, uniform illumination. Matching black-bronze, white, or brushed nickel finished finials provides easy access for cleaning and maintenance. Available in two sizes: 1'x4' or 1-1/2'x4'.

Utilizes linear T8 lamps for energy efficiency, superior color rendering and long life (not included).

Standard with residential-grade electronic ballast (120 volt, 60Hz) ensures no flickering and quiet operation without interfering with other home electronics.

For use with non-dimmable switches only.

All mounting hardware included.

#### LISTING

RE ballast fixtures are UL listed and CSA certified (standard), suitable for damp locations and ENERGY STAR® qualified. For non-RE ballast fixtures, UL (standard) and for CSA certified (see options).

#### WARRANTY

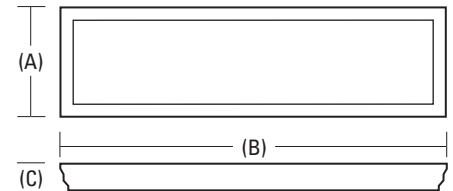
Guaranteed for two years against mechanical defects in manufacture.

### DIMENSIONS

Nominal Size	Lamp Configuration	Model Number	Number of Lamps	(A) Width inches (cm)	(B) Length inches (cm)	(C) Depth* inches (cm)
1' x 4'		11642	(2) 32W linear T8	11-1/4" (28.6)	51-3/4" (131.5)	3-1/2" (8.9)
1-1/2' x 4'		11644	(4) 32W linear T8	15-1/2" (39.4)	51-3/4" (131.5)	3-1/2" (8.9)

\* Extension from ceiling

All dimensions are in inches (centimeters)



### ORDERING INFORMATION

Choose the boldface catalog nomenclature that best suits your needs and write it on the appropriate line. Order accessories as separate catalog numbers.

Example: **11642RE BZ**

<b>Model Number</b> <sup>1,2</sup>	<b>Residential Ballast</b> <sup>3</sup>	<b>BZ</b> <b>Ends/Finial Finishes</b>	<b>Lamp</b> <sup>4</sup>	<b>RE</b> <b>Ballast/Voltage</b> <sup>2, 5</sup>
<b>11642</b> (2) 32W linear T8 lamps <b>11644</b> (4) 32W linear T8 lamps	<b>RE</b> Residential electronic ballast (standard)	<b>BZ</b> Black-bronze <b>WH</b> White <b>BN</b> Brushed Nickel	(blank) RE ballast fixtures only <b>32</b> 32W T8 (Non-RE ballast fixtures only)	(blank) RE ballast fixtures only

Accessories/Replacement parts
DRIS48      Textured white acrylic diffuser

Notes:

- Lamps not included.
- Use with non-dimmable switches only.
- Residential electronic ballast standard and requires RE designation.
- No designation for lamp type is required on ballast fixtures.
- No designation for ballast/voltage type is required on RE ballast fixtures.

# Rigby Linear Fluorescent

---

## PHOTOMETRICS

Full photometric data report available within 2 weeks from request. Consult factory.

