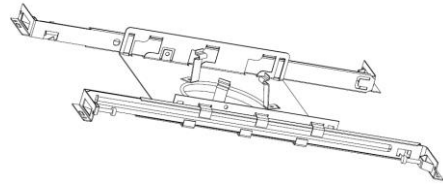


INSTALLATION INSTRUCTIONS

LKA3, LKA4, LKA5 NEW CONSTRUCTION ADAPTER (SOLD SEPARATELY) LKABH HANGER BARS (SOLD SEPARATELY) 120V ONLY



LKA3

LKA4, LKA5

NEW CONSTRUCTION ADAPTER INSTALLATION

1. NOTE: when deciding on fixture placement take into account joist placement and electrical wiring requirements. Your ceiling material must be non-combustible.
2. Install NEW CONSTRUCTION ADAPTER (purchased separately) by positioning the LKABH BAR HANGERS (purchased separately) between the ceiling joists and nailing in the attached nails to secure in place. (Figure 4 & 5)
3. Disconnect all power prior to installation. Pull supply wire through ADAPTER hole. Remove the appropriate pry-out knockout on junction box with screw driver. Open snap on cover on junction box by depressing spring and allow cover to hang.

Using the provided wire connectors, make all connections inside the Junction box. Bring supply wires into Junction box by shielded cable or Romex cable and connectors (Purchased separately).

Connect the 120V HOT wire black to black; NEUTRAL wire white to white; GROUND bare wire to ground, push wires carefully back into junction box. Close snap on cover in place.

4. REMOVE the (3) SPRING CLIPS from the REMODEL FIXTURE and discard.
5. Tilt Fixture junction box up through hole and position adapter spring clips with alignment grooves and rectangular openings on REMODEL CAN HOUSING. Push up for spring clips to securely snap in and lock in place. (Figure 6)
6. After electrical inspection is approved, complete ceiling installation, with the following cut out openings to:

- LKA3 = 3 1/4 inch diameter cutout
- LKA4 = 4 1/4 inch diameter cutout
- LKA5 = 5 5/8 inch diameter cutout

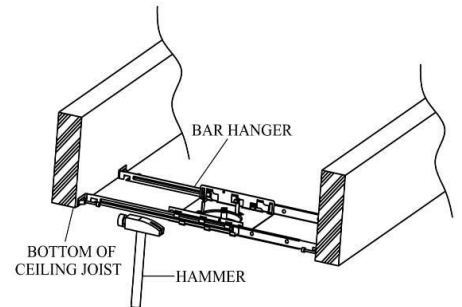


Figure 4

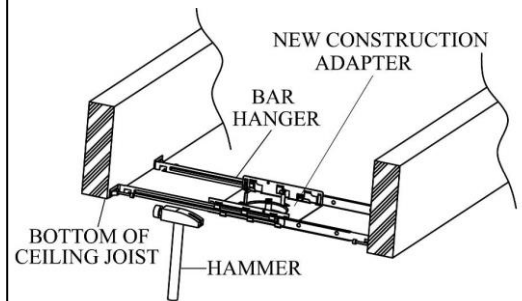


Figure 5

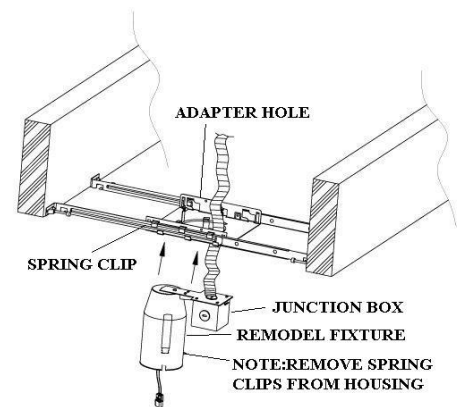


Figure 6