



## Value and versatility defined

The OLF 2PR LED two head motion security light was designed to deliver years of maintenance-free illumination with the added benefit of motion detection. Ideal for both residential and commercial areas such as yards, driveways, patios, loading areas and warehouses. It features LED technology with a 50,000 hours (>13 years) LED life. Available in white and bronze finishes, the OLF 2RH LED luminaire features removable visors for maximum light output or neighborhood friendly shading.



OLF 2RH replaces up to 150W PAR Lamp



# Value and versatility defined



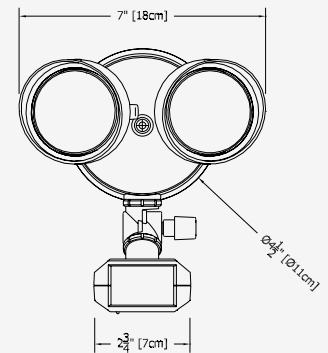
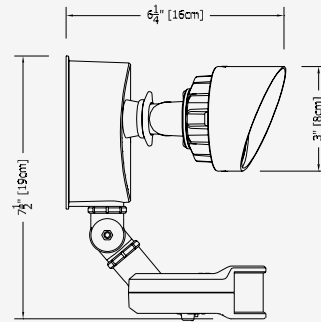
Wall- or Eave-mounts to a recessed junction box.

Combining our OMS 1000 motion sensor with LED lights for our most economical LED safety solution

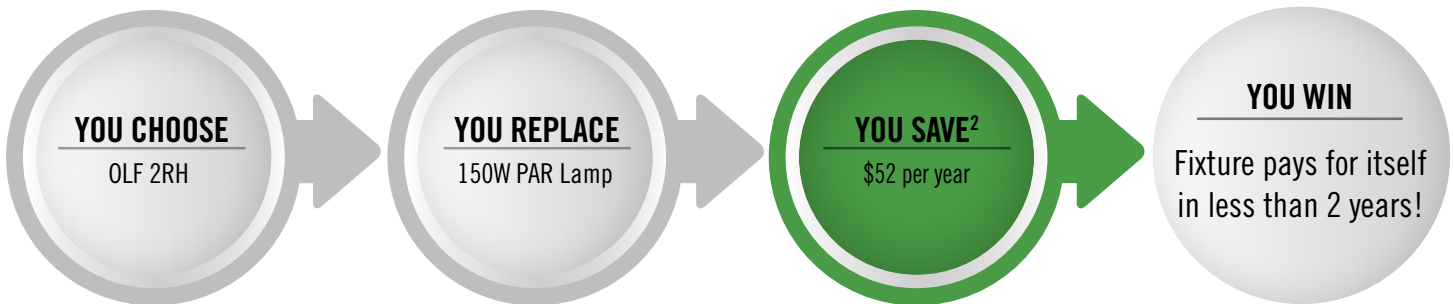
- 1600 lumens gets the attention of intruders
- 50,000 hour LED life<sup>1</sup>
- LED module operates at 120V
- Available in neutral 4000K color temperature
- UL/CUL wet location listed for wall mounting above 4 feet from ground
- 180 degree forward detection zone with up to 70 ft detection range
- Lamp heads feature removable visors for maximum light output or "neighbor-friendly" shading
- Tool-less adjustments and removable lamp-head visors make set-up a snap

<sup>1</sup> LED lifespan based on IESNA LM-80-08 results and calculated per IESNA TM-21-11 methodology.

## Product Dimensions



All dimensions are inches (centimeters) unless otherwise indicated.



<sup>2</sup> Based on 10 hours operation per day/365 days year and energy costs of \$.11 per kWh

### ORDERING INFORMATION

Example: OLF 2RH 40K 120V MO BZ

Series	Light Heads	Color Temperature <sup>1</sup>	Voltage	Finish
<b>OLF</b>	<b>2RH</b> 2 heads, round	<b>40K</b> 4000K	<b>120V</b> 120V	<b>MO</b> PIR motion detection with photocell
				<b>BZ</b> Bronze
				<b>WH</b> White

Notes <sup>1</sup> Nominal correlated color temperature (CCT) per ANSI C78.377-2008.

