

ITEM NO.: LS-16317

ASSEMBLY INSTRUCTIONS:

VERY IMPORTANT

WARNING: TO AVOID THE RISK OF ELECTRICAL SHOCK, BE SURE TO TURN OFF MAIN POWER PRIOR TO INSTALLATION. PLEASE READ THOROUGHLY. CAREFULLY UNPACK THIS LAMP AND PLACE ON A SOFT FLAT SURFACE.

Do not touch the bulb with your bare hand at any time; use a soft cloth to clean/ install the bulb.

1. Remove the finial (1) from canopy (3) and take out the mounting plate (2).
2. Fasten the mounting plate (2) to junction box with screws.
3. Install the bulb (4) into socket, then attach the bulb cover (5) onto it.
4. Place glass (6), metal frame (7) onto canopy (3), then secure with screw (8).
5. Connect the Ground wire from the fixture to the Ground wire from junction box, make the electrical connections using the wire nut. (Or attach them to the mounting plate (2) with the Green Ground screw.) connect the NEUTRAL (WHITE) wire from fixture to Neutral wire from power supply with the wire nut. Connect the LIVE (BLACK) wire from fixture to Live wire from power supply with the wire nut.
6. Attach the canopy (3) to the mounting plate (2) secure the finial (1).
7. Attach the glass (9) onto metal frame (7), and tighten with finial (10).

Use a 100W (Maximum) J type bulb. (Bulb included)

Important instructions pertaining to a risk of fire, electric shock or injury. **WARNING - Lit lamp is HOT:**

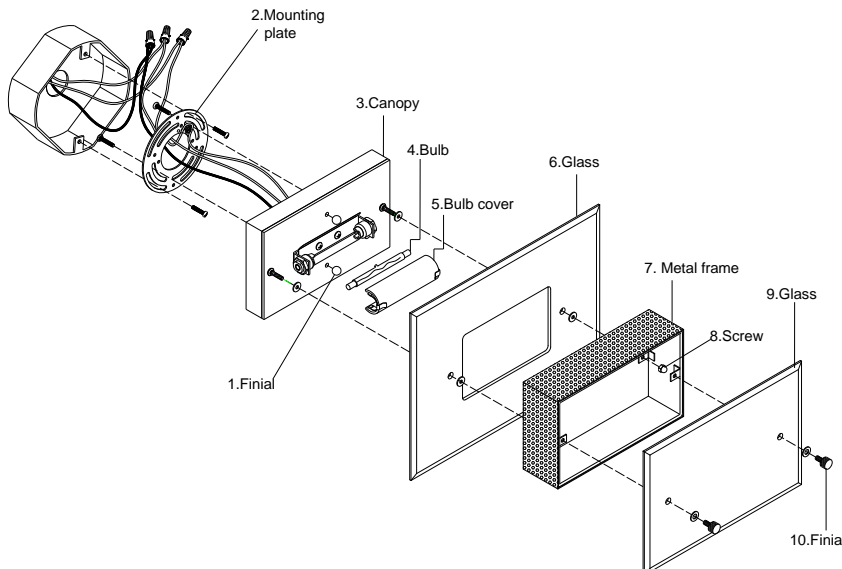
1. To reduce the risk of FIRE, ELECTRIC SHOCK OR INJURY TO PERSONS, turn off/unplug and allow to cool before replacing lamp.
2. Lamp gets HOT quickly! Touch only switch/plug when turning on.
3. Do not touch hot lens, guard, or enclosure.
4. Do not remain in light if skin feels warm.
5. Do not look directly at lit lamp.
6. Keep lamp away from materials that may burn.
7. Do not touch the bulb at any time. Use a soft cloth. Oil from skin may damage bulb.
8. Do not operate the unit with a missing or damaged guard, bulb containment barrier or UV light filter.

SUPPLIED WITH UV PROTECTIVE GLASS SHIELD

This unit comes with a protective glass shield which provides ultraviolet radiation protection. User is cautioned to replace these protective shields after either installation or replacement of tungsten halogen bulb.

※ **PLEASE INFORM YOUR DEALER IMMEDIATELY IN CASE OF ANY PARTS SHORTAGE.**

※ **SAVE THESE INSTRUCTIONS FOR FUTURE REFERENCE.**



**LITE SOURCE INC.**
CHINO, CA 91710